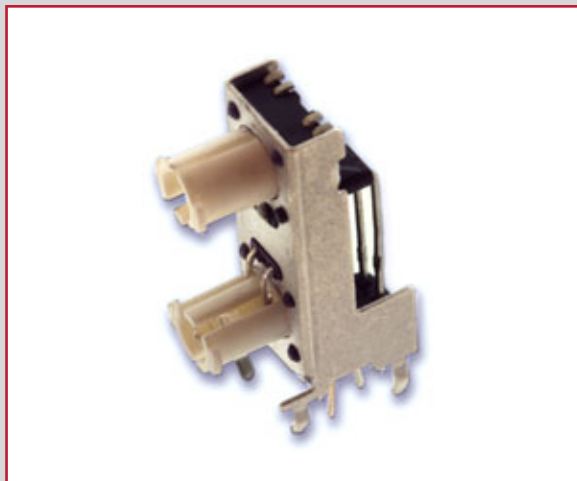


TL3253 SERIES TACT SWITCH

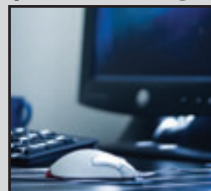
ANTI-VANDAL SWITCHES
DETECTOR SWITCHES
DIP SWITCHES
KEYLOCK SWITCHES
NAVIGATION SWITCHES
PUSHBUTTON SWITCHES
ROCKER SWITCHES
ROTARY SWITCHES
SLIDE SWITCHES
SNAP ACTION SWITCHES
TACTILE SWITCHES
TOGGLE SWITCHES
CAP OPTIONS



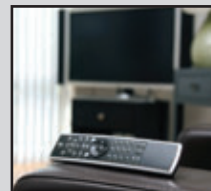
APPLICATIONS / MARKETS



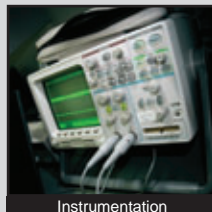
Audio / Visual



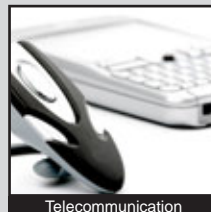
Computer Peripherals



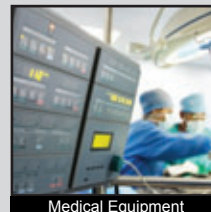
Consumer Electronics



Instrumentation



Telecommunication



Medical Equipment

RoHS

SPECIFICATIONS

Electrical Rating: 50mA @ 12V DC
Life Expectancy: 500,000 Cycles
Contact Resistance: 100mΩ Max.
Insulation Resistance: 100 MΩ Min. at 100V DC
Dielectric Strength: 250V AC for 1 min.
Operating Temperature: -20°C to 70°C
Storage Temperature: -30°C to 80°C
Operating Force: 160 gf
Travel: 0.25mm
Contact Arrangement: SPST, Normally Open

FEATURES & BENEFITS

- Illumination options
- Dual stacked LEDs
- Right angle mount

PART NUMBER CONFIGURATOR

| Series | Model | Upper Actuator Height | Upper Actuator LED | Upper Actuator Cap | Lower Actuator Height | Lower Actuator LED | Lower Actuator Cap | Operating Force | Contact Material |
|--------|-------|--------------------------|---|--|--------------------------|---|--|-----------------|------------------|
| TL | 3253 | A - 6.60mm B - 8.55mm | Y - Yellow R - Red G - Green B - Blue W - White N - No LED | A - Stepped Transparent B - Round Transparent N - No Cap | A - 6.60mm B - 8.55mm | Y - Yellow R - Red G - Green B - Blue W - White N - No LED | A - Stepped Transparent B - Round Transparent N - No Cap | F160 | Q - Silver |

Specifications subject to change without notice



E-SWITCH®

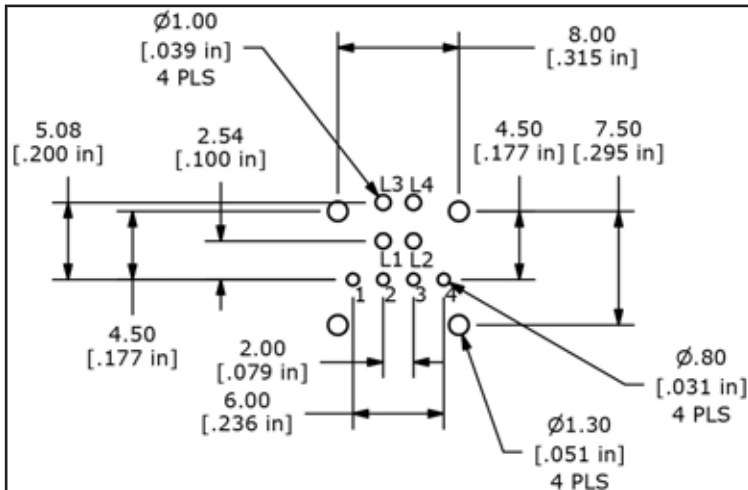
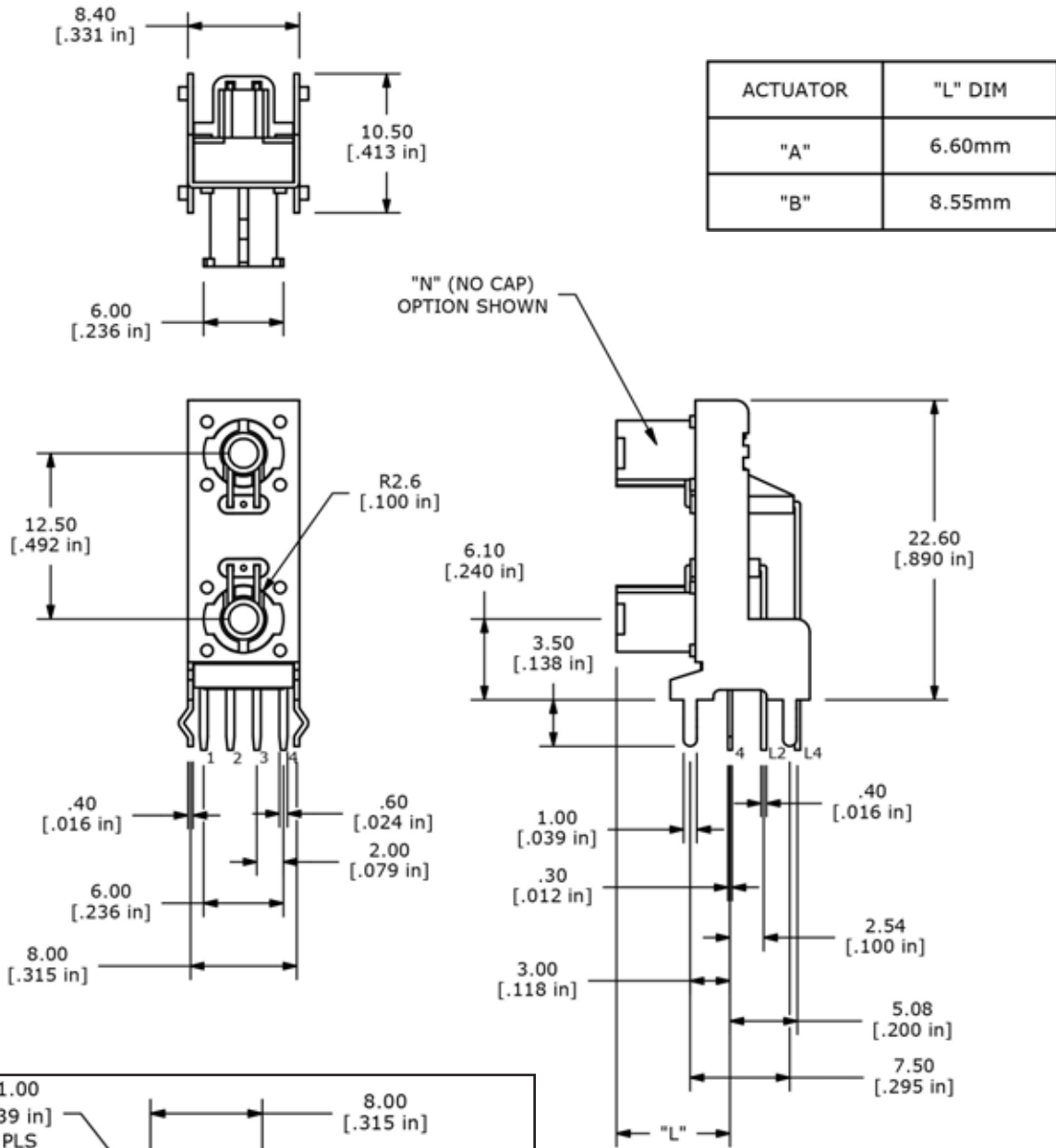
www.e-switch.com

800.867.2717

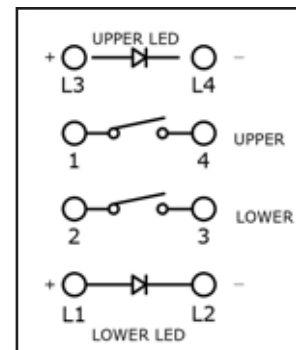
2

TL3253 SERIES TACT SWITCH

BODY DIMENSIONS



PCB LAYOUT



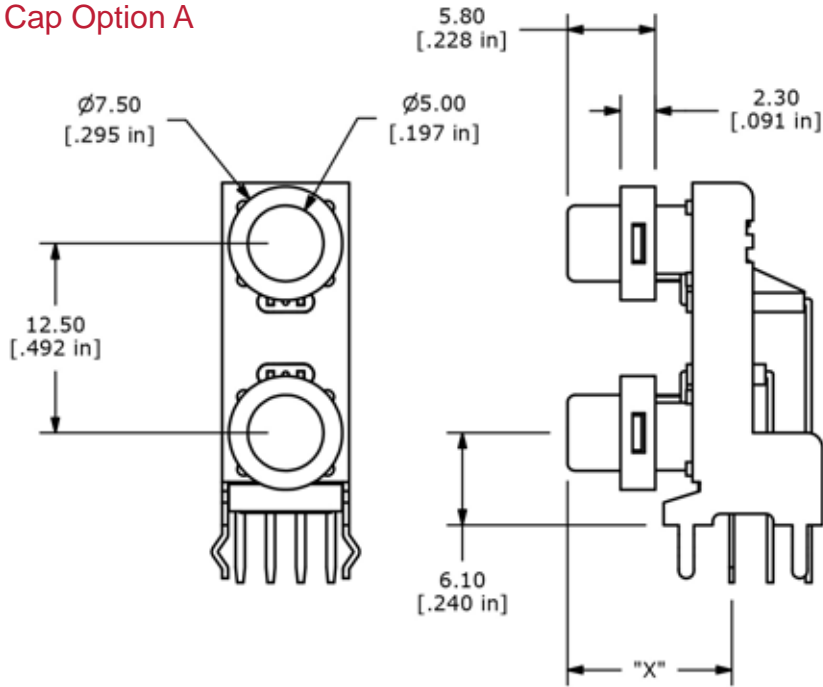
SCHMATIC



TL3253 SERIES TACT SWITCH

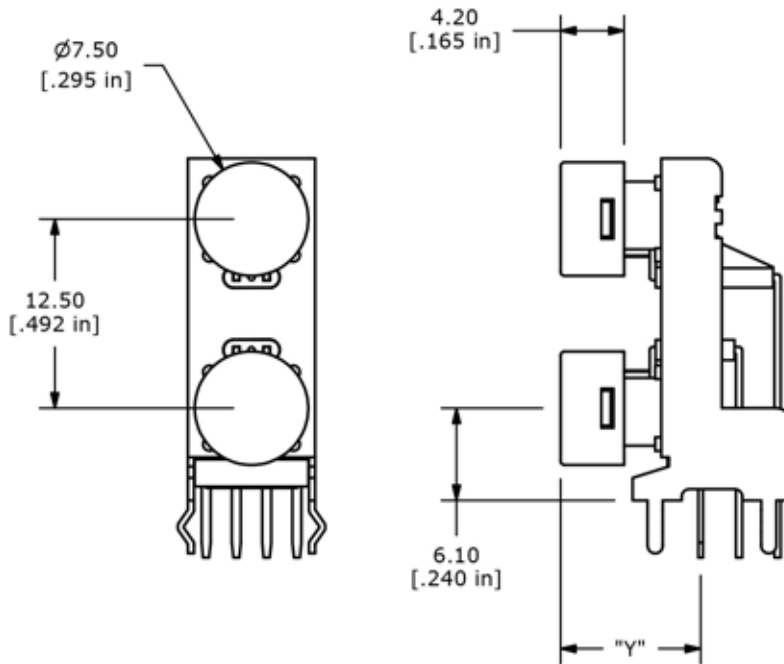
CAP OPTIONS

Cap Option A



| ACTUATOR | "X" DIM |
|----------|---------|
| "A" | 10.85mm |
| "B" | 12.80mm |

Cap Option B



| ACTUATOR | "L" DIM |
|----------|---------|
| "A" | 9.25mm |
| "B" | 11.2mm |

