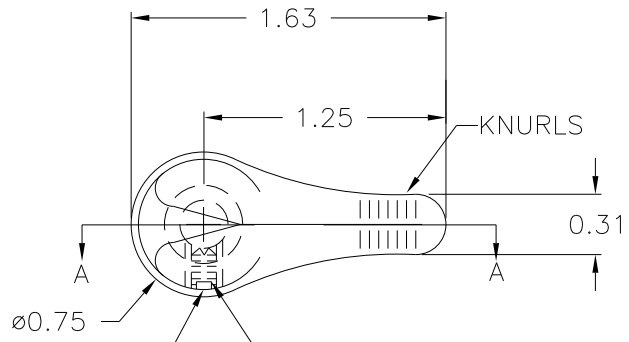


PART NAME: KNOB    SCALE: 1:1    DATE: 10/9/40    DR. BY JC

DAVIES MOLDING COMPANY  
CAROL STREAM, ILLINOIS 60188

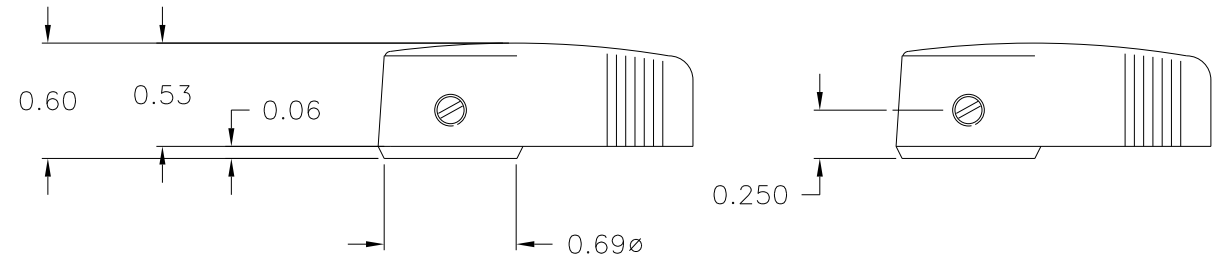
P/N 2110  
BASE PART 2110-01  
SET SCREW I0328

THIS DRAWING IS THE PROPERTY OF DAVIES MOLDING COMPANY, IS SUBMITTED SOLELY AS A DESIGN OR ENGINEERING PROJECT. WE ACCEPT NO RESPONSIBILITY WHATSOEVER FOR THE PRACTICAL APPLICATION OF THE PIECES MADE TO THIS DESIGN.

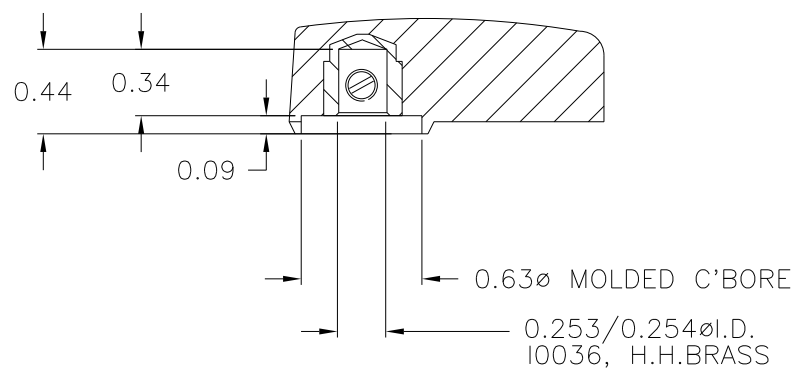


SET SCREW ON LEFT SIDE  
LOOKING AT FRONT OF  
KNOB

USE # 28 DR. (.140 ) DIA.; # 8-32 TAP.  
# 8-32 THD. X 3/16 LG. CUP POINTED,  
SLOTTED TYPE, SET SCREW I0328 (1)



SECTION A-A



MATERIAL: G.P. PHENOLIC (B11)  
COLOR: BLACK

TOLERANCES: UNLESS OTHERWISE SPECIFIED	DO NOT SCALE DRAWING			
DECIMALS: X.XXX ± .005 X.XX ± .015	MM: X.XX ± 0.15MM X.X ± 0.4MM	-	UPDATED TOOLBOX	JAM 10/30/02
FRACTIONS ± 1/64	ANG. ± 1°	-	CAD/REDRAWN	HD 9/17/97
CHANGES				