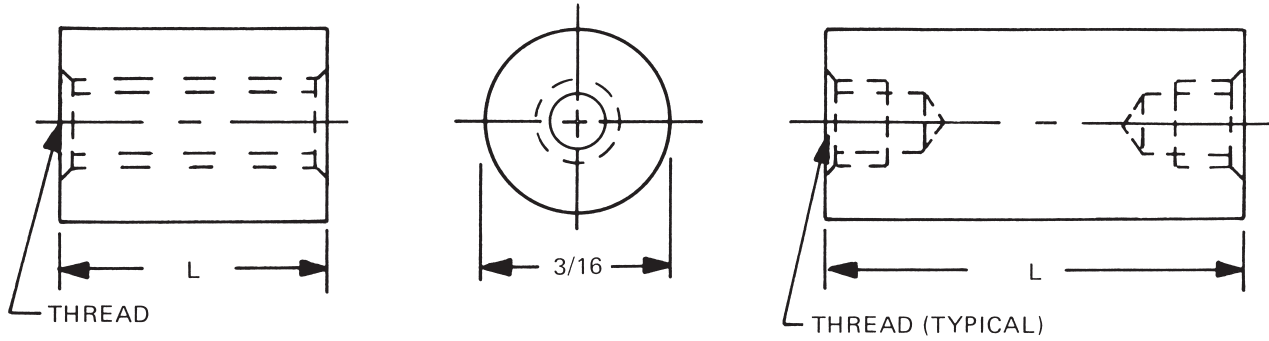
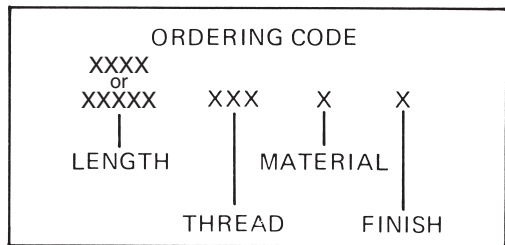




# 3/16 ROUND FEMALE STANDOFFS



See page 10 for thread depth chart  
 See page 9 for finish codes  
 For non-standard parts contact Sales Office



LENGTH	PART NO.
3/32	<b>1631A</b>
1/8	<b>1631</b>
5/32	<b>1631T</b>
3/16	<b>1632</b>
7/32	<b>1632T</b>
1/4	<b>1633</b>
9/32	<b>1633T</b>
5/16	<b>1634</b>
11/32	<b>1634T</b>
3/8	<b>1635</b>
13/32	<b>1635T</b>
7/16	<b>1636</b>
15/32	<b>1636T</b>
1/2	<b>1637</b>
17/32	<b>1637T</b>
9/16	<b>1638</b>
19/32	<b>1638T</b>
5/8	<b>1639</b>
21/32	<b>1639T</b>
11/16	<b>1640</b>
23/32	<b>1640T</b>

LENGTH	PART NO.
3/4	<b>1641</b>
25/32	<b>1641T</b>
13/16	<b>1642</b>
27/32	<b>1642T</b>
7/8	<b>1643</b>
29/32	<b>1643T</b>
15/16	<b>1644</b>
31/32	<b>1644T</b>
1"	<b>1645</b>
1-1/16	<b>1646</b>
1-1/8	<b>1647</b>
1-3/16	<b>1648</b>
1-1/4	<b>1649</b>
1-5/16	<b>1650</b>
1-3/8	<b>1651</b>
1-7/16	<b>1652</b>
1-1/2	<b>1653</b>
1-9/16	<b>1654</b>
1-5/8	<b>1655</b>
1-11/16	<b>1656</b>
1-3/4	<b>1657</b>

LENGTH	PART NO.
1-13/16	<b>1658</b>
1-7/8	<b>1659</b>
1-15/16	<b>1660</b>
2"	<b>1661</b>
2-1/16	<b>1662</b>
2-1/8	<b>1663</b>
2-3/16	<b>1664</b>
2-1/4	<b>1665</b>
2-5/16	<b>1666</b>
2-3/8	<b>1667</b>
2-7/16	<b>1668</b>
2-1/2	<b>1669</b>
2-9/16	<b>1670</b>
2-5/8	<b>1671</b>
2-11/16	<b>1672</b>
2-3/4	<b>1673</b>
2-13/16	<b>1674</b>
2-7/8	<b>1675</b>
2-15/16	<b>1676</b>
3"	<b>1677</b>

THREAD	CODE
2-56	256
4-40	440

MATERIAL	CODE	RoHS
Aluminum	AL	YES
Brass	B	YES
Stainless Steel	SS	YES
Steel	S	YES
Nylon	N	YES
Phenolic	PH	YES

