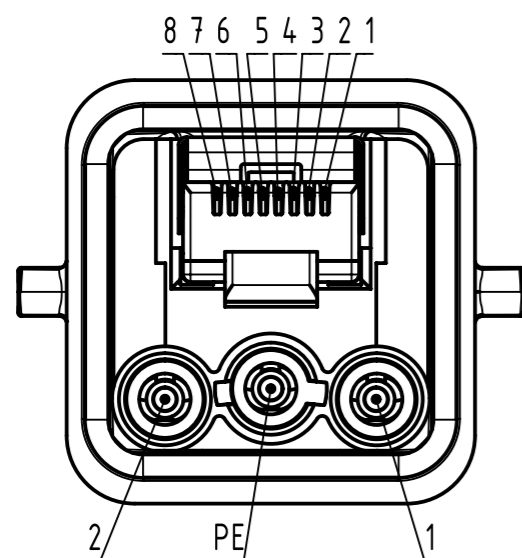
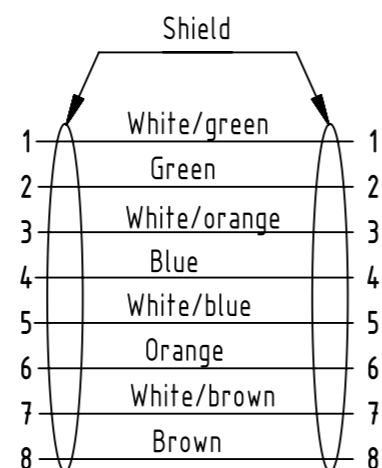


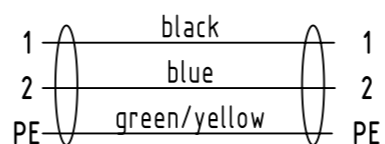
X (2:1)



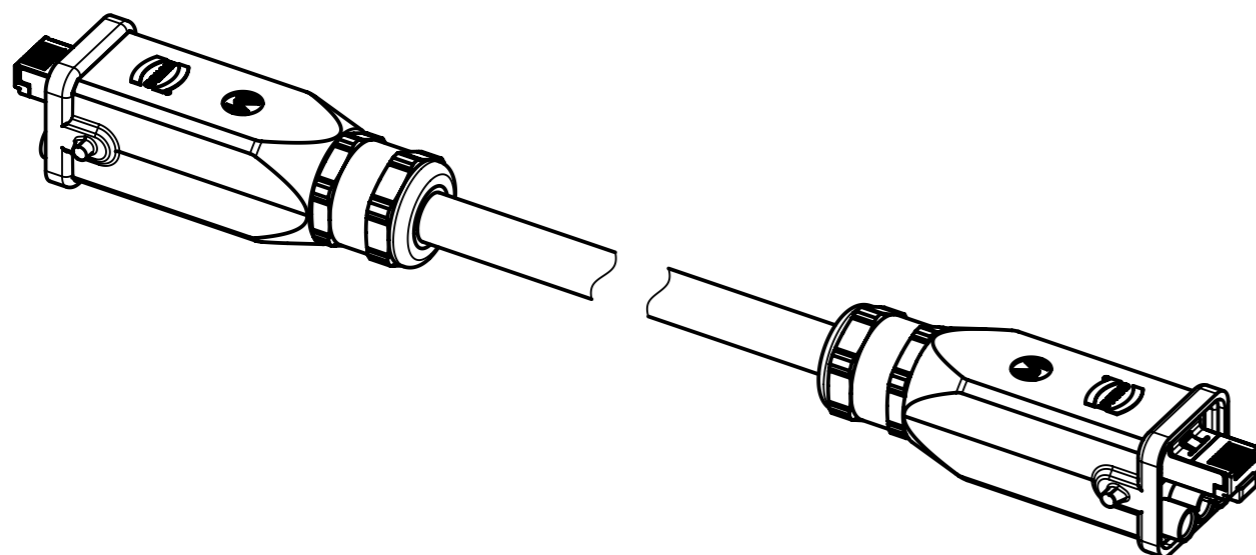
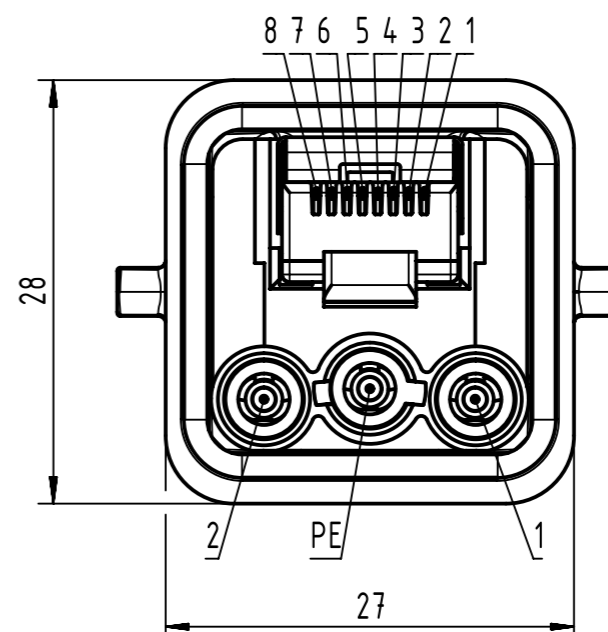
Loading-Plan (Data)



Loading-Plan (Power-DC version)




Y (2:1)



|   |                       |  |                          |                             |                    |   |             |
|---|-----------------------|--|--------------------------|-----------------------------|--------------------|---|-------------|
|   | All rights reserved   | Created by<br>POPESCUD                     | Inspected by<br>AVRAM    | Standardisation<br>HOFFMANN | Date<br>2015-12-18 | State<br>Final Release                                  |             |
|   | Department EC PD - RO | Title<br>Han 3A RJ45 Hybrid Cable Assembly |                          |                             |                    | Doc-Key / ECM-Nr.<br>100154019/UGD/013/C<br>50000098235 |             |
| HARTING Electronics GmbH<br>D-32339 Espelkamp |                       | Type<br>TB                                 | Number<br>33572110XX000X |                             |                    | Rev.<br>C   | Page<br>1/2 |

|   |   |   |   |   |   |   |   |   |
|---|---|---|---|---|---|---|---|---|
|   | 1 | 2 | 3 | 4 | 5 | 6 | 7 | 8 |
| A |   |   |   |   |   |   |   |   |
| B |   |   |   |   |   |   |   |   |
| C |   |   |   |   |   |   |   |   |
| D |   |   |   |   |   |   |   |   |
| E |   |   |   |   |   |   |   |   |
| F |   |   |   |   |   |   |   |   |
|   | 1 | 2 | 3 | 4 | 5 | 6 | 7 | 8 |

|           |               |  |           |
|-----------|---------------|--|-----------|
| 7         | 3357211020002 | Hybrid cable 4x2AWG26/7+3x2.5 sqmm, 2xHan 3A, DC | 20        |
| 6         | 3357211010002 |  | 10        |
| 5         | 3357211006002 |  | 6         |
| 4         | 3357211005002 |  | 5         |
| 3         | 3357211003002 |  | 3         |
| 2         | 3357211002002 |  | 2         |
| 1         | 3357211001002 |  | 1         |
| Cont. no. | Part-no.      | Type of cable                                    | Dim. a[m] |

|   |                       |  |                          |                             |                    |   |             |
|---|-----------------------|--|--------------------------|-----------------------------|--------------------|---|-------------|
|  | All rights reserved   | Created by<br>POPESCU                      | Inspected by<br>AVRAM    | Standardisation<br>HOFFMANN | Date<br>2015-12-18 | State<br>Final Release                                  |             |
|   | Department EC PD - RO | Title<br>Han 3A RJ45 Hybrid Cable Assembly |                          |                             |                    | Doc-Key / ECM-Nr.<br>100154019/UGD/013/C<br>50000098235 |             |
| HARTING Electronics GmbH<br>D-32339 Espelkamp   |                       | Type<br>TB                                 | Number<br>33572110XX000X |                             |                    | Rev.<br>C   | Page<br>2/2 |