

CHIP COILS (CHIP INDUCTORS) LQW18AS□□□□0Z□ Murata Standard Reference Specification [AEC-Q200]

1. Scope

This reference specification applies to chip coils (chip inductors) LQW18AS_0Z series for automotive electronics based on AEC-Q200 except for power trains and safeties.

2. Part Numbering

(Ex.)

LQ	W	18	A	S	1N6	J	0	Z	D
Product ID	Structure	Dimension (L × W)	Application and characteristic	Category	Inductance	Tolerance	Performance	Category Z: Automotive	Packaging D: taping *B: bulk

*B: Bulk packing is also available (taping condition: however, products without reels are put in plastic bags).

3. Part Number and Rating

Operating temperature range	-40°C to +125°C
Storage temperature range	-40°C to +125°C

Customer Part number	Murata Part number	Inductance		Q (Min.)	DC resistance (Ω max.)	Self-resonant frequency (MHz min.)	Rated current (mA)	ESD Rank 6: 25 kV
		Nominal value (nH)	Tolerance					
	LQW18AS1N6J0ZD	1.6	J: ±5%	24	0.030	12500	700	6
	LQW18AS1N8J0ZD	1.8	J: ±5%	16	0.045	12500	700	6
	LQW18AS3N3G0ZD	3.3	G: ±2%	35	0.045	5900	700	6
	LQW18AS3N3J0ZD	3.3	J: ±5%	35	0.045	5900	700	6
	LQW18AS3N6G0ZD	3.6	G: ±2%	22	0.063	5900	700	6
	LQW18AS3N6J0ZD	3.6	J: ±5%	22	0.063	5900	700	6
	LQW18AS3N9G0ZD	3.9	G: ±2%	22	0.080	6900	700	6
	LQW18AS3N9J0ZD	3.9	J: ±5%	22	0.080	6900	700	6
	LQW18AS4N3G0ZD	4.3	G: ±2%	22	0.063	5900	700	6
	LQW18AS4N3J0ZD	4.3	J: ±5%	22	0.063	5900	700	6
	LQW18AS4N7G0ZD	4.7	G: ±2%	20	0.116	5800	700	6
	LQW18AS4N7J0ZD	4.7	J: ±5%	20	0.116	5800	700	6
	LQW18AS5N1G0ZD	5.1	G: ±2%	20	0.140	5700	700	6
	LQW18AS5N1J0ZD	5.1	J: ±5%	20	0.140	5700	700	6
	LQW18AS5N6G0ZD	5.6	G: ±2%	26	0.075	4760	700	6
	LQW18AS5N6J0ZD	5.6	J: ±5%	26	0.075	4760	700	6
	LQW18AS6N8G0ZD	6.8	G: ±2%	27	0.110	5800	700	6
	LQW18AS6N8J0ZD	6.8	J: ±5%	27	0.110	5800	700	6
	LQW18AS7N5G0ZD	7.5	G: ±2%	28	0.106	4800	700	6
	LQW18AS7N5J0ZD	7.5	J: ±5%	28	0.106	4800	700	6
	LQW18AS8N2G0ZD	8.2	G: ±2%	30	0.115	4200	700	6
	LQW18AS8N2J0ZD	8.2	J: ±5%	30	0.115	4200	700	6
	LQW18AS8N7G0ZD	8.7	G: ±2%	28	0.109	4600	700	6
	LQW18AS8N7J0ZD	8.7	J: ±5%	28	0.109	4600	700	6
	LQW18AS9N5G0ZD	9.5	G: ±2%	28	0.135	5400	700	6
	LQW18AS9N5J0ZD	9.5	J: ±5%	28	0.135	5400	700	6
	LQW18AS10NG0ZD	10	G: ±2%	31	0.130	4800	700	6
	LQW18AS10NJ0ZD	10	J: ±5%	31	0.130	4800	700	6
	LQW18AS11NG0ZD	11	G: ±2%	30	0.086	4000	700	6

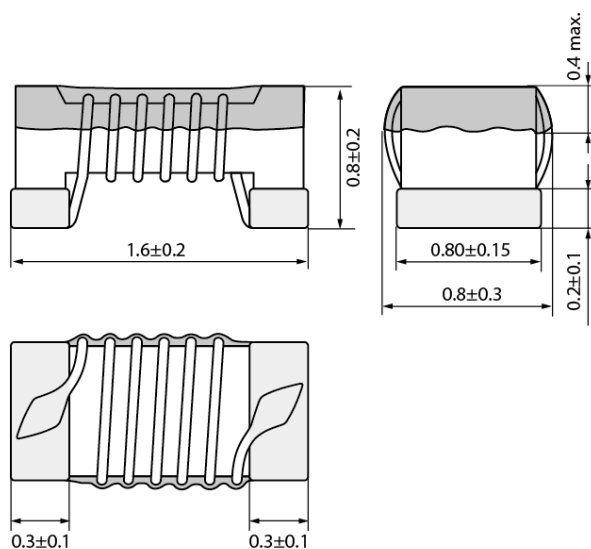
Customer Part number	Murata Part number	Inductance		Q (Min.)	DC resistance (Ω max.)	Self-resonant frequency (MHz min.)	Rated current (mA)	ESD Rank 6: 25 kV
		Nominal value (nH)	Tolerance					
	LQW18AS11NJ0ZD	11	J: $\pm 5\%$	30	0.086	4000	700	6
	LQW18AS12NG0ZD	12	G: $\pm 2\%$	35	0.130	4000	700	6
	LQW18AS12NJ0ZD	12	J: $\pm 5\%$	35	0.130	4000	700	6
	LQW18AS15NG0ZD	15	G: $\pm 2\%$	35	0.170	4000	700	6
	LQW18AS15NJ0ZD	15	J: $\pm 5\%$	35	0.170	4000	700	6
	LQW18AS16NG0ZD	16	G: $\pm 2\%$	34	0.104	3300	700	6
	LQW18AS16NJ0ZD	16	J: $\pm 5\%$	34	0.104	3300	700	6
	LQW18AS18NG0ZD	18	G: $\pm 2\%$	35	0.170	3100	700	6
	LQW18AS18NJ0ZD	18	J: $\pm 5\%$	35	0.170	3100	700	6
	LQW18AS22NG0ZD	22	G: $\pm 2\%$	38	0.190	3000	700	6
	LQW18AS22NJ0ZD	22	J: $\pm 5\%$	38	0.190	3000	700	6
	LQW18AS23NG0ZD	23	G: $\pm 2\%$	38	0.190	2850	700	6
	LQW18AS23NJ0ZD	23	J: $\pm 5\%$	38	0.190	2850	700	6
	LQW18AS24NG0ZD	24	G: $\pm 2\%$	36	0.135	2650	700	6
	LQW18AS24NJ0ZD	24	J: $\pm 5\%$	36	0.135	2650	700	6
	LQW18AS27NG0ZD	27	G: $\pm 2\%$	40	0.220	2800	600	6
	LQW18AS27NJ0ZD	27	J: $\pm 5\%$	40	0.220	2800	600	6
	LQW18AS30NG0ZD	30	G: $\pm 2\%$	37	0.144	2250	600	6
	LQW18AS30NJ0ZD	30	J: $\pm 5\%$	37	0.144	2250	600	6
	LQW18AS33NG0ZD	33	G: $\pm 2\%$	40	0.220	2300	600	6
	LQW18AS33NJ0ZD	33	J: $\pm 5\%$	40	0.220	2300	600	6
	LQW18AS36NG0ZD	36	G: $\pm 2\%$	37	0.250	2080	600	6
	LQW18AS36NJ0ZD	36	J: $\pm 5\%$	37	0.250	2080	600	6
	LQW18AS39NG0ZD	39	G: $\pm 2\%$	40	0.250	2200	600	6
	LQW18AS39NJ0ZD	39	J: $\pm 5\%$	40	0.250	2200	600	6
	LQW18AS43NG0ZD	43	G: $\pm 2\%$	38	0.280	2000	600	6
	LQW18AS43NJ0ZD	43	J: $\pm 5\%$	38	0.280	2000	600	6
	LQW18AS47NG0ZD	47	G: $\pm 2\%$	38	0.280	2000	600	6
	LQW18AS47NJ0ZD	47	J: $\pm 5\%$	38	0.280	2000	600	6
	LQW18AS51NG0ZD	51	G: $\pm 2\%$	35	0.270	1900	600	6
	LQW18AS51NJ0ZD	51	J: $\pm 5\%$	35	0.270	1900	600	6
	LQW18AS56NG0ZD	56	G: $\pm 2\%$	38	0.310	1900	600	6
	LQW18AS56NJ0ZD	56	J: $\pm 5\%$	38	0.310	1900	600	6
	LQW18AS68NG0ZD	68	G: $\pm 2\%$	37	0.340	1700	600	6
	LQW18AS68NJ0ZD	68	J: $\pm 5\%$	37	0.340	1700	600	6
	LQW18AS72NG0ZD	72	G: $\pm 2\%$	34	0.490	1700	400	6
	LQW18AS72NJ0ZD	72	J: $\pm 5\%$	34	0.490	1700	400	6
	LQW18AS82NG0ZD	82	G: $\pm 2\%$	34	0.540	1700	400	6
	LQW18AS82NJ0ZD	82	J: $\pm 5\%$	34	0.540	1700	400	6
	LQW18ASR10G0ZD	100	G: $\pm 2\%$	34	0.580	1400	400	6
	LQW18ASR10J0ZD	100	J: $\pm 5\%$	34	0.580	1400	400	6
	LQW18ASR11G0ZD	110	G: $\pm 2\%$	32	0.610	1350	300	6
	LQW18ASR11J0ZD	110	J: $\pm 5\%$	32	0.610	1350	300	6
	LQW18ASR12G0ZD	120	G: $\pm 2\%$	32	0.650	1300	300	6
	LQW18ASR12J0ZD	120	J: $\pm 5\%$	32	0.650	1300	300	6
	LQW18ASR15G0ZD	150	G: $\pm 2\%$	28	0.920	990	280	6

Customer Part number	Murata Part number	Inductance		Q (Min.)	DC resistance (Ω max.)	Self-resonant frequency (MHz min.)	Rated current (mA)	ESD Rank 6: 25 kV
		Nominal value (nH)	Tolerance					
	LQW18ASR15J0ZD	150	J: $\pm 5\%$	28	0.920	990	280	6
	LQW18ASR18G0ZD	180	G: $\pm 2\%$	25	1.250	990	240	6
	LQW18ASR18J0ZD	180	J: $\pm 5\%$	25	1.250	990	240	6
	LQW18ASR20G0ZD	200	G: $\pm 2\%$	25	1.980	900	200	6
	LQW18ASR20J0ZD	200	J: $\pm 5\%$	25	1.980	900	200	6
	LQW18ASR21G0ZD	210	G: $\pm 2\%$	27	2.060	895	200	6
	LQW18ASR21J0ZD	210	J: $\pm 5\%$	27	2.060	895	200	6
	LQW18ASR22G0ZD	220	G: $\pm 2\%$	25	2.100	900	200	6
	LQW18ASR22J0ZD	220	J: $\pm 5\%$	25	2.100	900	200	6
	LQW18ASR25G0ZD	250	G: $\pm 2\%$	25	3.550	822	120	6
	LQW18ASR25J0ZD	250	J: $\pm 5\%$	25	3.550	822	120	6
	LQW18ASR27G0ZD	270	G: $\pm 2\%$	24	2.300	900	170	6
	LQW18ASR27J0ZD	270	J: $\pm 5\%$	24	2.300	900	170	6
	LQW18ASR33G0ZD	330	G: $\pm 2\%$	25	3.890	900	100	6
	LQW18ASR33J0ZD	330	J: $\pm 5\%$	25	3.890	900	100	6
	LQW18ASR39G0ZD	390	G: $\pm 2\%$	25	4.350	900	100	6
	LQW18ASR39J0ZD	390	J: $\pm 5\%$	25	4.350	900	100	6

4. Testing Conditions

Unless otherwise specified	Temperature: ordinary temperature (15°C to 35°C) Humidity: ordinary humidity [25% to 85% (RH)]
In case of doubt	Temperature: 20°C \pm 2°C Humidity: 60% to 70% (RH) Atmospheric pressure: 86 kPa to 106 kPa

5. Appearance and Dimensions



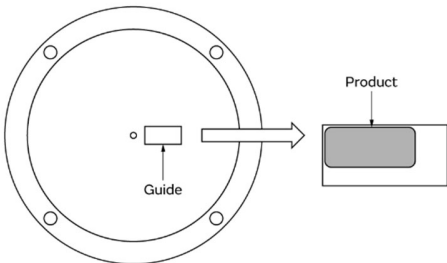
(in mm)

Unit mass (typical value): 0.003 g

6. Marking

No marking.

7. Electrical Performance

No.	Item	Specification	Test method																		
7.1	Inductance	Meet chapter 3 ratings.	<p>Measuring equipment: Keysight E4991A or the equivalent</p> <p>Measuring frequency:</p> <table border="1"> <tr> <td rowspan="4">Inductance</td> <td>250 MHz</td> <td>1.6 nH to 43 nH</td> </tr> <tr> <td>200 MHz</td> <td>47 nH to 68 nH</td> </tr> <tr> <td>150 MHz</td> <td>72 nH to 150 nH</td> </tr> <tr> <td>100 MHz</td> <td>180 nH to 390 nH</td> </tr> <tr> <td rowspan="4">Q</td> <td>250 MHz</td> <td>1.6 nH to 43 nH</td> </tr> <tr> <td>200 MHz</td> <td>47 nH to 68 nH</td> </tr> <tr> <td>150 MHz</td> <td>72 nH to 150 nH</td> </tr> <tr> <td>100 MHz</td> <td>180 nH to 390 nH</td> </tr> </table> <p>Measuring conditions: Measurement signal level: Approx. 0 dBm Measurement terminal distance: 1.0 mm Electrical length: 10.0 mm Measuring fixture: Keysight 16197A Position the chip coil under test as shown in the measuring example below and connect it to the electrode by applying weight. Measurement example:</p>  <p>Measuring method: see "Electrical performance: Measuring method for inductance/Q" in the chapter "15. Appendix".</p>	Inductance	250 MHz	1.6 nH to 43 nH	200 MHz	47 nH to 68 nH	150 MHz	72 nH to 150 nH	100 MHz	180 nH to 390 nH	Q	250 MHz	1.6 nH to 43 nH	200 MHz	47 nH to 68 nH	150 MHz	72 nH to 150 nH	100 MHz	180 nH to 390 nH
Inductance	250 MHz	1.6 nH to 43 nH																			
	200 MHz	47 nH to 68 nH																			
	150 MHz	72 nH to 150 nH																			
	100 MHz	180 nH to 390 nH																			
Q	250 MHz	1.6 nH to 43 nH																			
	200 MHz	47 nH to 68 nH																			
	150 MHz	72 nH to 150 nH																			
	100 MHz	180 nH to 390 nH																			
7.2	Q	Meet chapter 3 ratings.	<p>Measuring method: see "Electrical performance: Measuring method for inductance/Q" in the chapter "15. Appendix".</p>																		
7.3	DC resistance	Meet chapter 3 ratings.	Measuring equipment: digital multimeter																		
7.4	Self-resonant frequency	Meet chapter 3 ratings.	Measuring equipment: Keysight N5230A or the equivalent																		

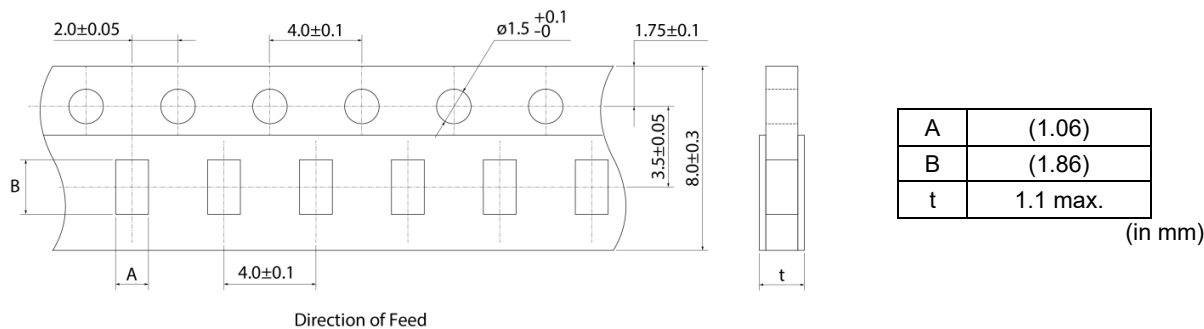
8. AEC-Q200 Requirement

8.1 Performance [based on table 5 for magnetics (inductors/transformer) AEC-Q200 Rev. D issued June 1, 2010]

AEC-Q200			Murata specification/deviation				
No.	Stress	Test method					
3	High temperature exposure	1000 h at 125°C Set for 24 h at room condition, then measured.	Meet table A after testing. Table A <table border="1"> <tr> <td>Appearance</td> <td>No damage</td> </tr> <tr> <td>Inductance change rate 1.6 nH to 43 nH (at 250 MHz) 47 nH to 68 nH (at 200 MHz) 72 nH to 150 nH (at 150 MHz) 180 nH to 390 nH (at 100 MHz)</td> <td>Within ±5%</td> </tr> </table>	Appearance	No damage	Inductance change rate 1.6 nH to 43 nH (at 250 MHz) 47 nH to 68 nH (at 200 MHz) 72 nH to 150 nH (at 150 MHz) 180 nH to 390 nH (at 100 MHz)	Within ±5%
Appearance	No damage						
Inductance change rate 1.6 nH to 43 nH (at 250 MHz) 47 nH to 68 nH (at 200 MHz) 72 nH to 150 nH (at 150 MHz) 180 nH to 390 nH (at 100 MHz)	Within ±5%						
4	Temperature cycling	1000 cycles -40°C to +125°C Set for 24 h at room condition, then measured.	Meet table A after testing.				
7	Biased humidity	1000 h at 85°C, 85% (RH). Unpowered. Set for 24 h at room condition, then measured.	Meet table A after testing.				
8	Operational life	Apply rated current 125°C 1000 h Set for 24 h at room condition, then measured.	Meet table A after testing.				
9	External visual	Visual inspection	No abnormalities				
10	Physical dimension	Meet chapter 5, "Appearance and Dimensions".	No defects				
12	Resistance to solvents	Per MIL-STD-202 Method 215	Not applicable				
13	Mechanical shock	Per MIL-STD-202 Method 213 Condition C: 100 g's (0.98 N), 6 ms, half sine, 12.3 ft/s	Meet table A after testing.				
14	Vibration	5 g's (0.049 N) for 20 min, 12 cycles each of 3 orientations Test from 10 Hz to 2000 Hz	Meet table A after testing.				
15	Resistance to soldering heat	No-heating Solder temperature 260°C±5°C Immersion time 10 s	Pre-heating: 150°C±10°C, 60 s to 90 s Meet table A after testing.				
17	ESD	Per AEC-Q200-002	ESD rank: Refer to chapter 3 ratings. Meet table A after testing.				
18	Solderability	Per J-STD-002	Method b: not applicable 95% of the terminations is to be soldered (except exposed wire).				
19	Electrical characterization	Measured: inductance	No defects				
20	Flammability	Per UL-94	Not applicable				
21	Board flex	Epoxy-PCB (1.6 mm) Deflection 2 mm (min.) Holding time 60 s	Meet table B after testing. Table B <table border="1"> <tr> <td>Appearance</td> <td>No damage</td> </tr> <tr> <td>DC resistance change rate</td> <td>Within ±10%</td> </tr> </table>	Appearance	No damage	DC resistance change rate	Within ±10%
Appearance	No damage						
DC resistance change rate	Within ±10%						
22	Terminal strength	Per AEC-Q200-006 A force of 17.7 N for 60 s	Murata deviation request: 10 N for 5 s No defect				

9. Specification of Packaging

9.1 Appearance and dimensions of tape (8 mm width/paper tape)



9.2 Taping specifications

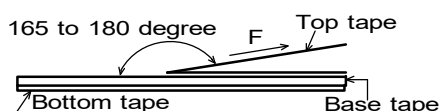
Packing quantity (Standard quantity)	4000 pcs/reel
Packing method	The products are placed in embossed cavities of a base tape and sealed by a top tape and a bottom tape.
Feed hole position	The feed holes on the base tape are on the right side when the top tape is pulled toward the user.
Joint	The base tape and the top tape are seamless.
Number of missing products	Number of missing products within 0.025% of the number per reel or 1 pc., whichever is greater, and are not continuous. The specified quantity per reel is kept.

9.3 Break down force of tape

Break down force of top tape	5 N min.
Break down force of bottom tape	5 N min.

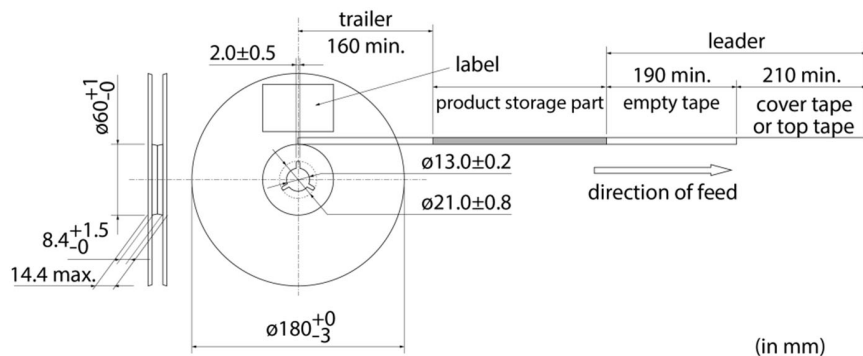
9.4 Peeling off force of top tape

Speed of peeling off	300 mm/min
Peeling off force	0.1 N to 0.6 N (The lower limit is for typical value.)



9.5 Dimensions of leader section, trailer section and reel

A vacant section is provided in the leader (start) section and trailer (end) section of the tape for the product. The leader section is further provided with an area consisting only of the cover tape (or top tape). (See the diagram below.)



9.6 Marking for reel

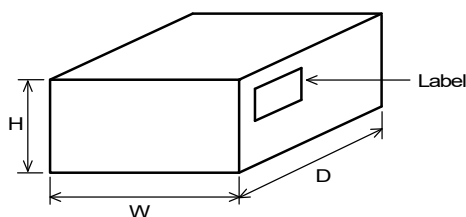
Customer part number, Murata part number, inspection number (*1), RoHS marking (*2), quantity, etc.

<p>*1 Expression of inspection No.:</p> <table style="width: 100%; border-collapse: collapse;"> <tr> <td style="text-align: center; width: 33%; border-bottom: 1px solid black;">□□</td> <td style="text-align: center; width: 33%; border-bottom: 1px solid black;">○○○○</td> <td style="text-align: center; width: 33%; border-bottom: 1px solid black;">◇◇◇◇</td> </tr> <tr> <td style="text-align: center;">(1)</td> <td style="text-align: center;">(2)</td> <td style="text-align: center;">(3)</td> </tr> </table>	□□	○○○○	◇◇◇◇	(1)	(2)	(3)	<p>(1) Factory code (2) Date First digit: year/last digit of year Second digit: month/Jan. to Sep.→1 to 9, Oct. to Dec.→O, N, D Third, Fourth digit: day (3) Serial No.</p>
□□	○○○○	◇◇◇◇					
(1)	(2)	(3)					
<p>*2 Expression of RoHS marking:</p> <table style="width: 100%; border-collapse: collapse;"> <tr> <td style="text-align: center; width: 33%;">ROHS-</td> <td style="text-align: center; width: 33%; border-bottom: 1px solid black;">Y</td> <td style="text-align: center; width: 33%; border-bottom: 1px solid black;">(△)</td> </tr> <tr> <td></td> <td style="text-align: center;">(1)</td> <td style="text-align: center;">(2)</td> </tr> </table>	ROHS-	Y	(△)		(1)	(2)	<p>(1) RoHS regulation conformity (2) Murata classification number</p>
ROHS-	Y	(△)					
	(1)	(2)					

9.7 Marking on outer box (corrugated box)

Customer name, purchasing order number, customer part number, Murata part number, RoHS marking (*2), quantity, etc.

9.8 Specification of outer box



Dimensions of outer box (mm)			Standard reel quantity in outer box (reel)
W	D	H	
186	186	93	5
* Above outer box size is typical. It depends on a quantity of an order.			

10. ⚠Caution

10.1 Restricted applications

Please contact us before using our products for the applications listed below which require especially high reliability for the prevention of defects which might directly cause damage to the third party's life, body or property.

- | | |
|-----------------------------------|---|
| (1) Aircraft equipment | (6) Disaster/crime prevention equipment |
| (2) Aerospace equipment | (7) Traffic signal equipment |
| (3) Undersea equipment | (8) Transportation equipment (trains, ships, etc.) |
| (4) Power plant control equipment | (9) Data-processing equipment |
| (5) Medical equipment | (10) Applications of similar complexity and/or reliability requirements to the applications listed in the above |

10.2 Precautions on rating

Do not use the products in excess of their rated current. Doing so may cause the product to generate heat, resulting in short circuit between wires, wire breakage, or melted solder, which may cause dropping of parts.

10.3 Fail-safe

Be sure to provide an appropriate fail-safe function on your product to prevent a second damage that may be caused by the abnormal function or the failure of our product.

10.4 Corrosive gas

Please refrain from use since contact with environments with corrosive gases (sulfur gas [hydrogen sulfide, sulfur dioxide, etc.], chlorine, ammonia, etc.) or oils (cutting oil, silicone oil, etc.) that have come into contact with the previously stated corrosive gas environment will result in deterioration of product quality or an open from deterioration due to corrosion of product electrode, etc. We will not bear any responsibility for use under these environments.

11. Precautions for Use

This product is for use only with reflow soldering. It is designed to be mounted by soldering. If you want to use other mounting method, for example, using a conductive adhesive, please consult us beforehand.

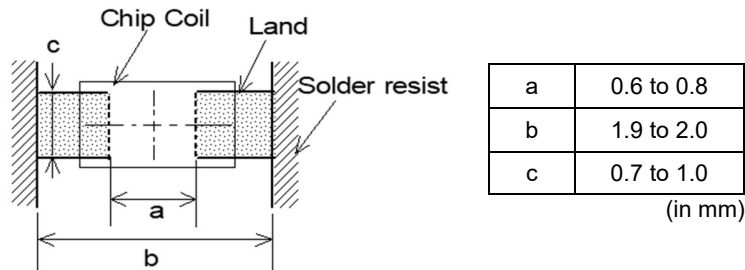
Also, if repeatedly subjected to temperature cycles or other thermal stress, due to the difference in the coefficient of thermal expansion with the mounting substrate, the solder (solder fillet part) in the mounting part may crack.

The occurrence of cracks due to thermal stress is affected by the size of the land where mounted, the solder volume, and the heat dissipation of the mounting substrate. Carefully design it when a large change in ambient temperature is assumed.

11.1 Land dimensions

The following diagram shows the recommended land dimensions for reflow soldering.

The land dimensions are designed in consideration of electrical characteristics and mountability. Use of other land dimensions may preclude achievement of performance. In some cases, it may result in poor solderability, including positional shift. If you use other land pattern, consider it adequately.



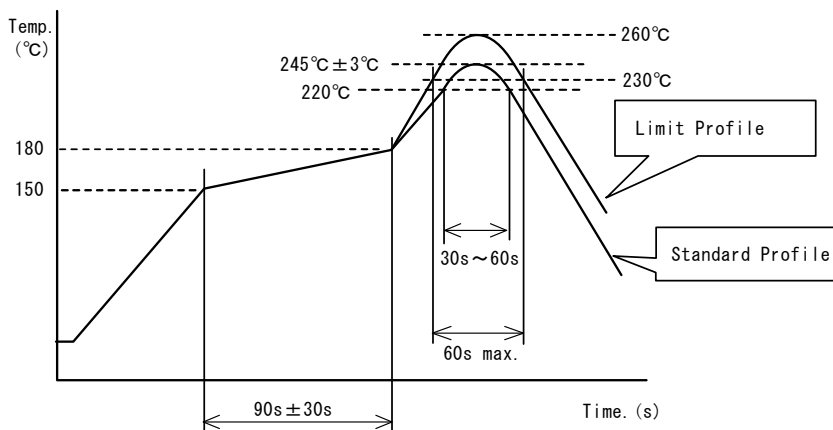
11.2 Flux and solder used

Flux	<ul style="list-style-type: none"> • Use a rosin-based flux that includes an activator with a chlorine conversion value of 0.06(wt)% to 0.1(wt)%. • Do not use a highly acidic flux with a halide content exceeding 0.2(wt)% (chlorine conversion value). • Do not use a water-soluble flux.
Solder	<ul style="list-style-type: none"> • Use Sn-3.0Ag-0.5Cu solder. • Standard thickness of solder paste: 100 μm to 150 μm

If you want to use a flux other than the above, please consult our technical department.

11.3 Soldering conditions (reflow)

- Pre-heating should be in such a way that the temperature difference between solder and product surface is limited to 150°C max. Cooling into solvent after soldering also should be in such a way that the temperature difference is limited to 100°C max. Insufficient pre-heating may cause cracks on the product, resulting in the deterioration of product quality.
- Standard soldering profile and the limit soldering profile is as follows. The excessive limit soldering conditions may cause leaching of the electrode and/or resulting in the deterioration of product quality.



	Standard profile	Limit profile
Pre-heating	150°C to 180°C/90 s±30 s	150°C to 180°C/90 s±30 s
Heating	Above 220°C/30 s to 60 s	Above 230°C/60 s max.
Peak temperature	245°C±3°C	260°C/10 s
Number of reflow cycles	2 times	2 times

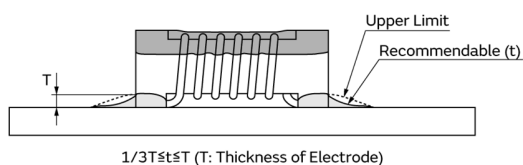
11.4 Reworking with soldering iron

The following requirements must be met to rework a soldered product using a soldering iron.

Item	Requirement
Pre-heating	150°C/approx. 1 min
Tip temperature of soldering iron	350°C max.
Power consumption of soldering iron	80 W max.
Tip diameter of soldering iron	ø3 mm max.
Soldering time	3 s (+1 s, -0 s)
Number of reworking operations	2 times max.
* Avoid a direct contact of the tip of the soldering iron with the product. Such a direction contact may cause cracks in the ceramic body due to thermal shock.	

11.5 Solder volume

Solder shall be used not to increase the volume too much.



An increased solder volume increases mechanical stress on the product. Exceeding solder volume may cause the failure of mechanical or electrical performance.

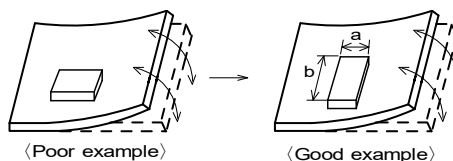
11.6 Product's location

The following shall be considered when designing and laying out PCBs.

(1) PCB shall be designed so that products are not subject to mechanical stress due to warping the board.

[Products direction]

Products shall be located in the sideways direction (length: $a < b$) to the mechanical stress.

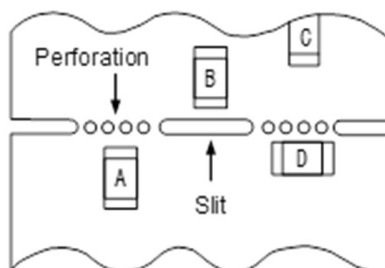


(2) Components location on PCB separation

It is effective to implement the following measures, to reduce stress in separating the board.

It is best to implement all of the following three measures; however, implement as many measures as possible to reduce stress.

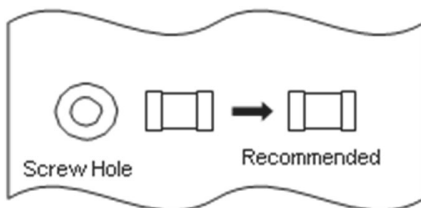
Contents of measures	Stress level
(1) Turn the mounting direction of the component parallel to the board separation surface.	$A > D^*1$
(2) Add slits in the board separation part.	$A > B$
(3) Keep the mounting position of the component away from the board separation surface.	$A > C$
*1 $A > D$ is valid when stress is added vertically to the perforation as with hand separation. If a cutting disc is used, stress will be diagonal to the PCB, therefore $A > D$ is invalid.	



(3) Mounting components near screw holes

When a component is mounted near a screw hole, it may be affected by the board deflection that occurs during the tightening of the screw.

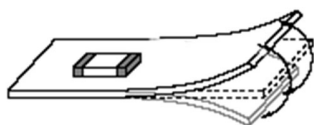
Mount the component in a position as far away from the screw holes as possible.



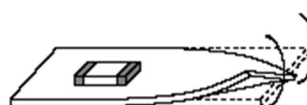
11.7 Handling of substrate

After mounting products on a substrate, do not apply any stress to the product caused by bending or twisting to the substrate when cropping the substrate, inserting and removing a connector from the substrate or tightening screw to the substrate.

Excessive mechanical stress may cause cracking in the product.



Bending



Twisting

11.8 Cleaning

The product shall be cleaned under the following conditions.

(1) The cleaning temperature shall be 60°C max. If isopropyl alcohol (IPA) is used, the cleaning temperature shall be 40°C max.

(2) Perform ultrasonic cleaning under the following conditions. Exercise caution to prevent resonance phenomenon in mounted products and the PCB.

Item	Requirement
Power	20 W/L max.
Time	5 min max.
Frequency	28 kHz to 40 kHz

(3) Cleaner

Alcohol-based cleaner: IPA

Aqueous agent: PINE ALPHA ST-100S

(4) There shall be no residual flux or residual cleaner. When using aqueous agent, rinse the product with deionized water adequately and completely dry it so that no cleaner is left.

* For other cleaning, consult our technical department.

11.9 Storage and transportation

Storage period	Use the product within 12 months after delivery. If you do not use the product for more than 12 months, check solderability before using it.
Storage conditions	<ul style="list-style-type: none"> The products shall be stored in a room not subject to rapid changes in temperature and humidity. The recommended temperature range is -10°C to +40°C. The recommended relative humidity range is 15% to 85%. Keeping the product in corrosive gases, such as sulfur, chlorine gas or acid, oxidizes the electrode, resulting in poor solderability or corrosion of the coil wire of the product. Do not keep products in bulk packaging. Doing so may cause collision between the products or between the products and other products, resulting in core chipping or wire breakage. Do not place the products directly on the floor; they should be placed on a palette so that they are not affected by humidity or dust. Avoid keeping the products in a place exposed to direct sunlight, heat or vibration.
Transportation	Excessive vibration and impact reduces the reliability of the products. Exercise caution when handling the products.

11.10 Resin coating

The inductance value may change due to high cure-stress of resin to be used for coating/molding products. A wire breakage issue may occur by mechanical stress caused by the resin, amount/cured shape of resin, or operating condition etc. Some resin contains some impurities or chloride possible to generate chlorine by hydrolysis under some operating condition may cause corrosion of wire of coil, leading to wire breakage. So, please pay your careful attention when you select resin in case of coating/molding the products with the resin. Prior to use the coating resin, please make sure no reliability issue is observed by evaluating products mounted on your board.

11.11 Handling of product

- Sharp material such as a pair of tweezers or other material such as bristles of cleaning brush, shall not be touched to the winding portion to prevent the breaking of wire.
- Mechanical shock should not be applied to the products mounted on the board to prevent the breaking of the core.

11.12 Handling with mounting equipment

- With some types of mounting equipment, a support pin pushes up the product from the bottom of the base (paper) tape when the product is sucked with the pick-up nozzle. When using this type of equipment, detach the support pin to prevent the breaking of wire on the product.
- In some cases, the laser recognition function of the mounting equipment may not recognize this product correctly. Please contact us when using laser recognition. (There is no problem with the permeation and reflection type.)

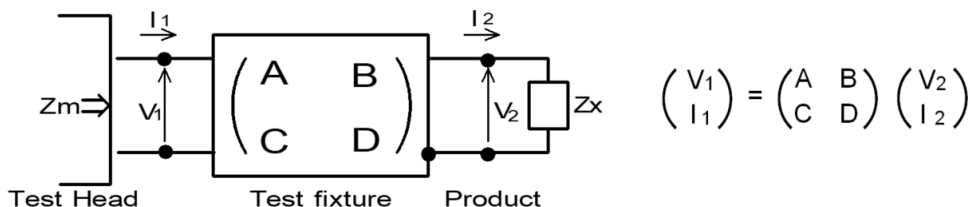
12. ⚠Note

- (1) Please make sure that your product has been evaluated in view of your specifications with our product being mounted to your product.
- (2) You are requested not to use our product deviating from the reference specifications.
- (3) The contents of this reference specification are subject to change without advance notice. Please approve our product specifications or transact the approval sheet for product specifications before ordering.

13. Appendix

Electrical performance: Measuring method for inductance/Q (Q measurement is applicable only when the Q value is included in the rating table.)
 Perform measurement using the method described below. (Perform correction to ensure that the inductance value is compatible with inductors of other manufacturers.)

- (1) Residual elements and stray elements of the measuring terminal can be expressed by the F parameter for the 2-pole terminal as shown in the figure below.



- (2) The product's impedance value (Zx) and measured impedance value (Zm) can be expressed as shown below, by using the respective current and voltage for input/output.

$$Z_m = \frac{V_1}{I_1} \quad Z_x = \frac{V_2}{I_2}$$

(3) Thus, the relationship between the product's impedance value (Zx) and measured impedance value (Zm) is as follows.

$Z_x = \alpha \frac{Z_m - \beta}{1 - Z_m \Gamma}$	<p>Here, $\alpha = D/A = 1$ $\beta = B/D = Z_{sm} - (1 - Y_{om} Z_{sm}) Z_{ss}$ $\Gamma = C/A = Y_{om}$</p> <p>Zsm: measured impedance when measuring terminal is shorted Zss: residual impedance of short chip (= Equivalent series inductance X*1) Yom: measured admittance when measuring terminal is open</p>
---	---

*1 Important

X: In consideration of compatibility with other vendors' products, Zss is defined as the correction value to fit nominal inductance of other vendors' products.

When calibrating the measurement, please input X value instead of the equivalent series inductance (ShortL) for each L value.

Perform measurement of Q using the residual impedance 0.771 nH obtained through our conventional standard measurement method.

(4) Calculate inductance Lx and Qx using the equations shown below.

$L_x = \frac{\text{Im}(Z_x)}{2\pi f}$	Lx: inductance of chip coil Qx: Q of chip coil f: measuring frequency
$Q_x = \frac{\text{Im}(Z_x)}{\text{Re}(Z_x)}$	

Table: Equivalent series inductance to fit nominal inductance of other vendors' products

Part number	Inductance	
	X (nH) Equivalent series inductance	Measuring frequency (MHz)
LQW18AS1N6_0Z	0.131	250
LQW18AS1N8_0Z	0.061	250
LQW18AS3N3_0Z	0.111	250
LQW18AS3N6_0Z	0.231	250
LQW18AS3N9_0Z	0.011	250
LQW18AS4N3_0Z	0.251	250
LQW18AS4N7_0Z	0.301	250
LQW18AS5N1_0Z	0.071	250
LQW18AS5N6_0Z	-0.079	250
LQW18AS6N8_0Z	-0.019	250
LQW18AS7N5_0Z	0.201	250
LQW18AS8N2_0Z	0.281	250
LQW18AS8N7_0Z	0.221	250
LQW18AS9N5_0Z	0.021	250
LQW18AS10N_0Z	-0.089	250
LQW18AS11N_0Z	0.321	250
LQW18AS12N_0Z	-0.189	250
LQW18AS15N_0Z	-0.369	250
LQW18AS16N_0Z	0.271	250
LQW18AS18N_0Z	-0.429	250
LQW18AS22N_0Z	-0.419	250
LQW18AS23N_0Z	-0.509	250
LQW18AS24N_0Z	0.401	250
LQW18AS27N_0Z	0.171	250

Part number	Inductance	
	X (nH) Equivalent series inductance	Measuring frequency (MHz)
LQW18AS30N_0Z	-0.219	250
LQW18AS33N_0Z	-0.589	250
LQW18AS36N_0Z	-0.299	250
LQW18AS39N_0Z	-0.859	250
LQW18AS43N_0Z	0.231	250
LQW18AS47N_0Z	-0.769	200
LQW18AS51N_0Z	-0.949	200
LQW18AS56N_0Z	-1.299	200
LQW18AS68N_0Z	-1.739	200
LQW18AS72N_0Z	-1.089	150
LQW18AS82N_0Z	-1.909	150
LQW18ASR10_0Z	-1.729	150
LQW18ASR11_0Z	-2.829	150
LQW18ASR12_0Z	-3.429	150
LQW18ASR15_0Z	-4.429	150
LQW18ASR18_0Z	-5.129	100
LQW18ASR20_0Z	-4.629	100
LQW18ASR21_0Z	-2.029	100
LQW18ASR22_0Z	-5.229	100
LQW18ASR25_0Z	-4.029	100
LQW18ASR27_0Z	-4.329	100
LQW18ASR33_0Z	-8.329	100
LQW18ASR39_0Z	-13.329	100