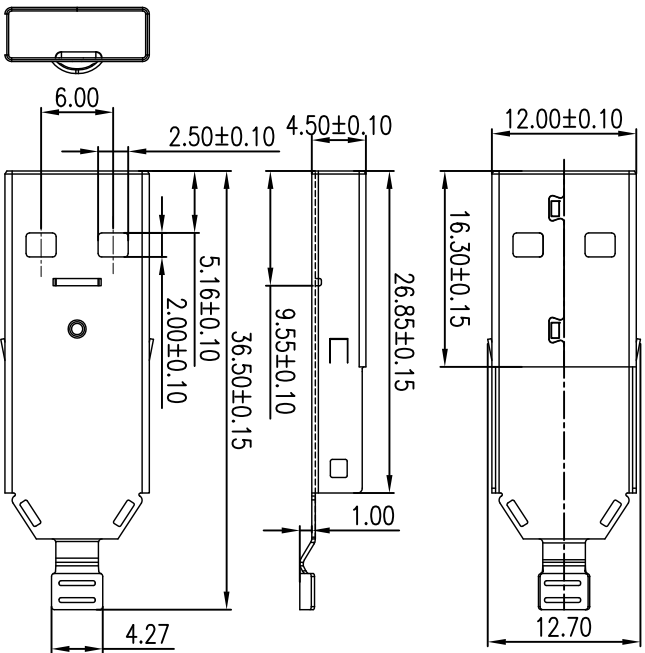


- NOTE:
 1. MATERIAL:
 1.1 INSULATOR:PPBT+30%GF UL 94V-0
 1.2 CONTACT:4pin BRASS(T=0.20mm)
 5pin BRASS(T=0.25mm)
 1.3 SHELL:SPCC(T=0.30mm)
 2. ELECTRICAL CHARACTERISTICS:
 2.1 CONTACT RESISTANCE:30mΩ Max
 2.2 CONTACT CURRENT RATING:1.5A
 2.3 DIELECTRIC WITHSTANDING VOLTAGE:500 V R.M.S.
 2.4 INSULATION RESISTANCE:100 MEGOHMS Min
 2.5 OPERATING TEMPERATURE:-40°C ~ 85°C
 3. MECHANICAL CHARACTERISTICS:
 3.1 MATING FORCE:35 N Max
 3.2 UNMATED FORCE:10 N Min INITIAL; 8 N Min AFTER TEST
 3.3 DURABILITY:5,000 CYCLES
 4. PLATING
 4.1 TERMINAL CONTACT:GOLD PLATING ALL OVER 50U" MIN NICKEL AND 80U" MIN Matte Tin ALL OVER 50U" MIN NICKEL IN SOLDER AREA
 4.2 SHELL:50U" MIN. NICKEL ALL OVER



2014/06/06	Jody	Structural changes	A1
2012/03/06	XIE	NEW DWG	A0
DATE	DR.BY	ECN.NO.	DESCRIPTION
			MARK
			VER.

CnC Tech,LLC

UNLESS OTHERWISE SPECIFIED

X.X	±0.25	X.X'	±3.00"	APPD:	PRODUCT NO:	1003-023-01300
X.XX	±0.20	X.XX'	±1.00"	CHECK:	DATE	2012/04/06
X.XXX	±0.15	X.XXX'	±0.500"	DRAW:	SCALE	1:1
					UNIT	mm
					TYPE	Z
					PAGE	1/1



TITLE: USB 3.0 9P AM ASSEMBLY
 15U" Blue