

| PANDUIT TOOL NO. | INSTALLS * THE FOLLOWING CABLE TIE CROSS-SECTION ** | WEIGHT/PC | |
|------------------|---|-----------|-------|
| | | OZ | GRAMS |
| GS2B-E | SM,M,I,S | 13.55 | 385 |

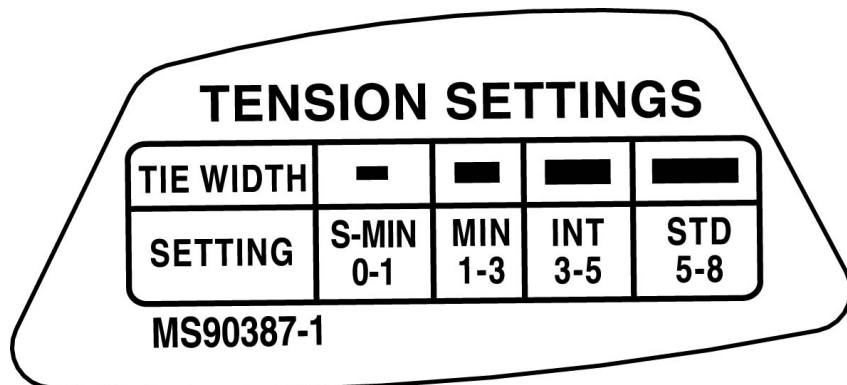
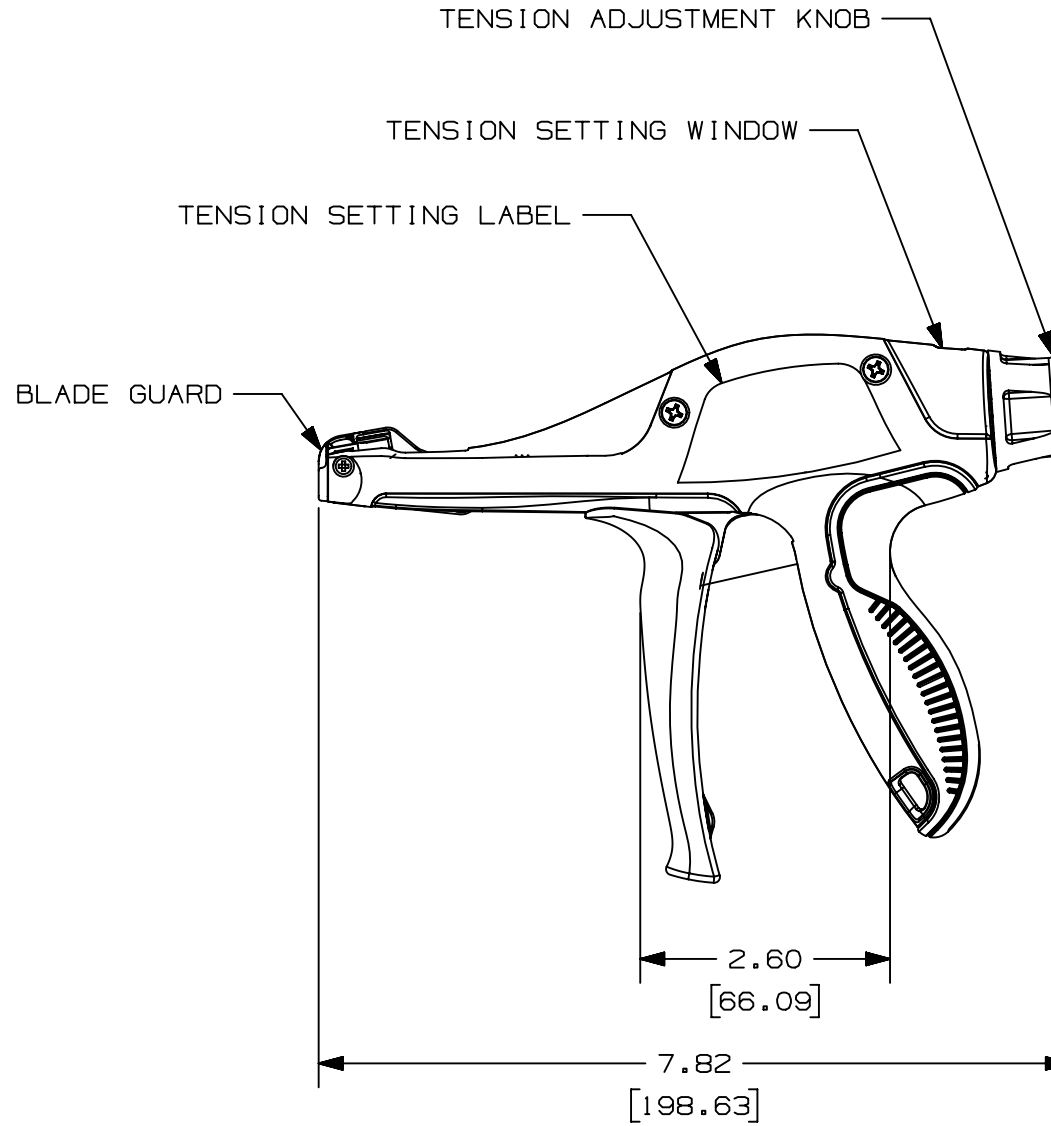
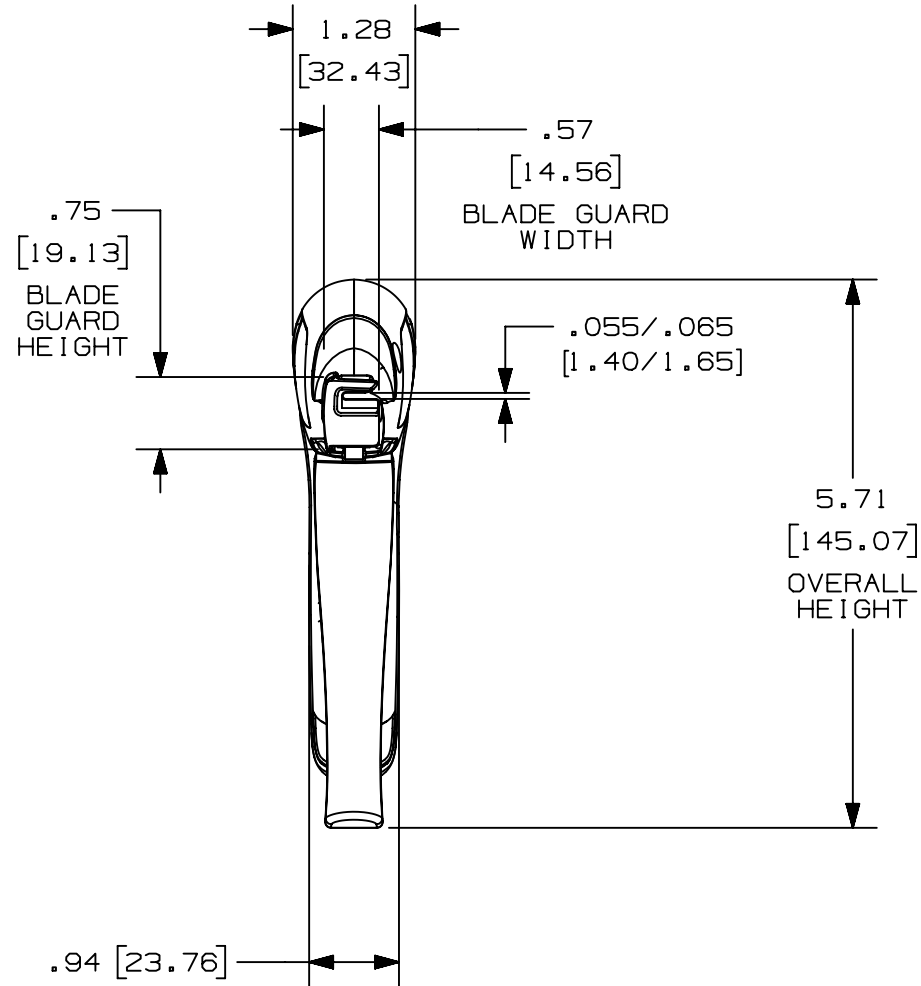
NOTES, UNLESS OTHERWISE SPECIFIED:

RoHS COMPLIANT.

* THIS TOOL TIGHTENS CABLE TIES AND CUTS OFF EXCESS PORTION WHEN PRESET TENSION IS ATTAINED.

** CABLE TIE CROSS-SECTION CODE:
 SM = SUB-MINIATURE
 M = MINIATURE
 I = INTERMEDIATE
 S = STANDARD.

DIMENSIONS IN BRACKETS ARE METRIC.



| REV | DATE | BY | CHK | APR | DESCRIPTION | ECN |
|-----|---------|-----|-----|------|---|--------|
| 02 | 8-24-18 | JEH | ABJ | JADE | UPDATED TENSION LABEL WITH MIL SPEC MS90387-1 | 037489 |
| 01 | 8-26-15 | JEH | ABJ | ABJ | ADDED TENSION SETTING VIEW | 4850 |
| 00 | 1-26-15 | JEH | ABJ | ABJ | RELEASED | 4769 |

| | | | |
|---|---------|----------------------------|----------------|
| TITLE | | CD, GS2B-E | |
| ITEM REVISION NAME | | Customer/Military Drawing | |
| DATASET FILE NAME | | R27576AA/02 | PANDUIT |
| | | R27576AA_DS_WB27576B01/02A | |
| UNLESS OTHERWISE SPECIFIED, DIMENSIONAL TOLERANCES ARE: IN [mm] | | MATERIAL: | |
| .x ± .1 [2.54] | | .xxx ± .005 [.127] | |
| .xx ± .01 [.25] | | ANGLES ± 5° | |
| THIRD ANGLE PROJECTION | | DRAWING NUMBER: | |
| | | WB27576B01 | |
| DRAWN BY | DATE | CHK | SCALE |
| JEH | 1-26-15 | ABJ | 1:2 |
| SHT 1 OF 1 | | | SIZE |
| | | | B |