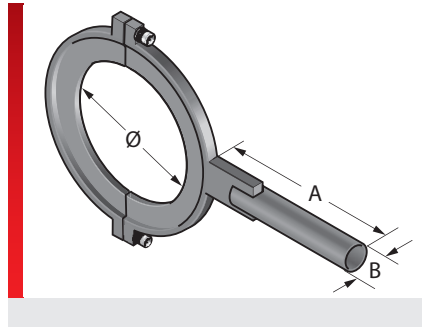
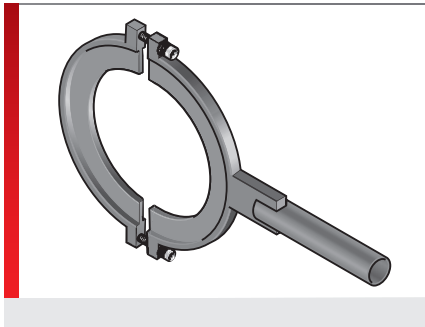


## Tension clamp (axis 6)



### PRODUCT INFORMATION

The R-SSR wrist support serves to provide a fixing point on axis 6. Addition fastening elements can be affixed to the wrist support as required.

### SPECIFICATIONS

Powder coated Sheet steel

Type	Order No.	Colour	Ø mm	A mm	B mm	Pack qty.
Kuka KR6, KR 10 retaining plate, axis 6	83692753	Black	39.50	63.25		1
R-SSR D 50 tension clamp with angled sheet	83952697	Black	50.00	142.00		1
R-SSR D 63 tension clamp with angled sheet	83952699	Black	63.00	142.00		1
R-SSR 100-1 tension clamp with pipe 15°	83952626	Black	100.00	280.00	32.00	1
R-SSR D 116 tension clamp with pipe, straight	83692712	Black	116.00	280.00	32.00	1
R-SSR 125-1 tension clamp with pipe 15°	82952696	Black	125.00	280.00	32.00	1
R-SSR 125-2 tension clamp with pipe, straight	82390044	Black	125.00	280.00	32.00	1
R-SSR 140-1 tension clamp with pipe, straight	82390067	Black	140.00	280.00	32.00	1
R-SSR D 160 tension clamp with pipe, straight	83952629	Black	160.00	280.00	32.00	1
R-SSR 160-1 tension clamp with pipe 15°	83952628	Black	160.00	280.00	32.00	1
R-SSR 172-1 tension clamp with pipe 15°	83952634	Black	172.00	280.00	32.00	1
R-SSR 180-1 tension clamp with pipe 15°	82390032	Black	180.00	280.00	32.00	1
R-SSR 190-1 tension clamp with pipe 15°	83952638	Black	190.00	280.00	32.00	1
R-SSR 200-1 tension clamp with pipe 15°	83952642	Black	200.00	280.00	32.00	1
R-SSR 220-1 tension clamp with pipe 15°	83952640	Black	220.00	280.00	32.00	1
R-SSR 250-1 tension clamp with pipe 15°	83952646	Black	250.00	280.00	32.00	1
R-SSR 315-1 tension clamp with pipe 15°	83692711	Black	315.00	280.00	32.00	1

Powder coated Sheet steel

### CONFORMITY

**RoHS (EC Directive 2011/65/EC)**

## Tension clamp (axis 6)

### APPROVALS AND OPERATING PERMITS



ROBI approval



Made in Germany

All details given in our sales material prospectuses and catalogues as well as the information available online are based on our current knowledge of the products described.

The electronic data and files made available by Murrplastik, particularly CAD files are based on our current knowledge of the product described.

A legally binding assurance of certain properties or the suitability for a certain purpose can not be determined from this information.

All information with respect to the chemical and physical properties of Murrplastik products as well as application advice given verbally, in writing or by tests, is given to the best of our knowledge.

This does not free the purchaser of carrying out their own inspections and tests in order to determine the suitability of a product for a specific purpose.

Murrplastik accepts no responsibility for the available information being up-to-date, correct or complete. Neither do we accept responsibility for the quality of this information.

Murrplastik accepts no liability for damage caused as a result of using our products.

Murrplastik reserves the right to make technical changes and improvements through constant further development of products and services.

Our General Terms and Conditions apply.