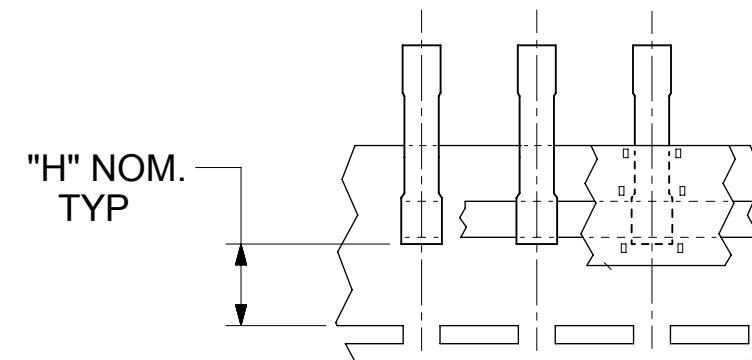
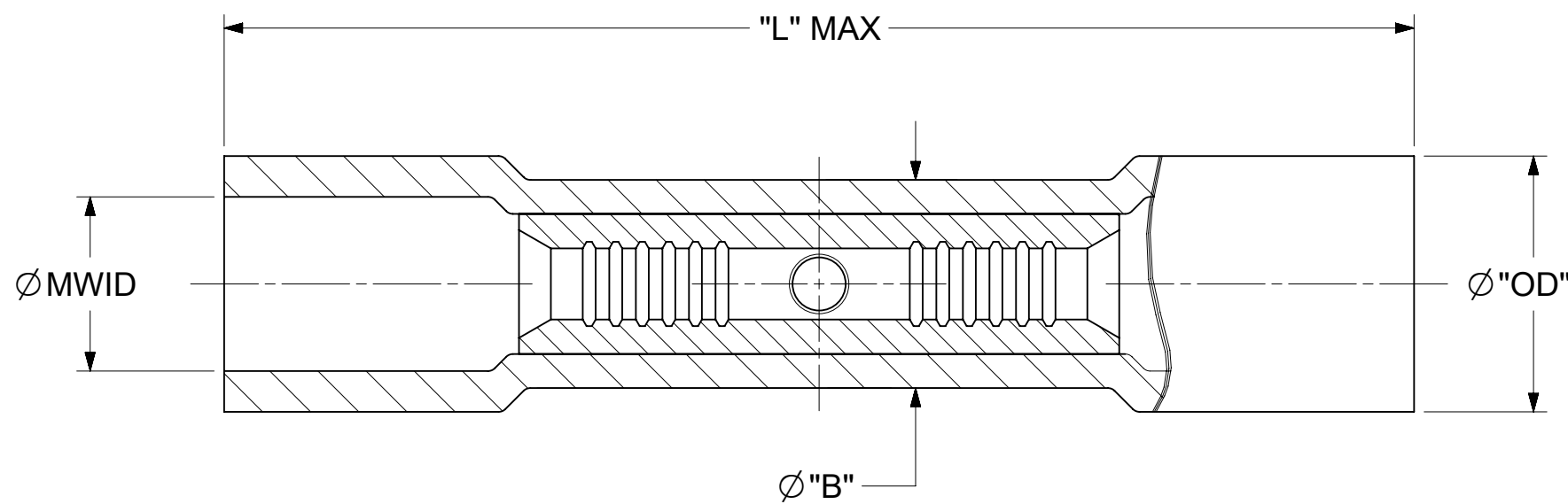
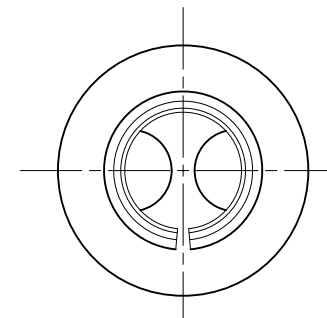


MATERIAL NO.	ENG. NO.	MATERIAL NO. (TAPED)	ENG NO. (TAPED)	COLOR	MWID	OD (MAX)	"L" MAX	"B" (MAX)	ID (MIN)	"H" (NOM)
191540004	A-245X	191540006	A-245XT	RED	.150 (3.81)	.24 (6.1)	.98 (24.9)	.20 (5.1)	.060 (1.52)	.49 (12.4)
191540015	B-231X	191540017	B-231XT	BLUE	.175 (4.45)	.27 (6.9)	1.00 (25.4)	.24 (6.1)	.080 (2.03)	
191540028	C-246X	191540030	C-246XT	YELLOW	.260 (6.60)	.36 (9.2)	1.14 (29.0)	.30 (7.6)	.125 (3.17)	



TAPE MOUNTED PARTS



NOTES:

1. MATERIALS: PVC INSULATION OVER TIN-PLATED COPPER SPLICE.
2. COLOR: SEE CHART.
3. MWID = MAXIMUM WIRE INSULATION DIAMETER
4. PARTS ARE RoHS COMPLIANT.

THIS DRAWING CONTAINS INFORMATION THAT IS PROPRIETARY TO MOLEX ELECTRONIC TECHNOLOGIES, LLC AND SHOULD NOT BE USED WITHOUT WRITTEN PERMISSION											
FUNCTIONAL SYMBOLS FA = 0 FE = 0 FP = 0	DIMENSION UNITS		SCALE		CURRENT REV DESC: "L MAX" DIM UPDATE: .98 WAS .97 & 1.00 WAS .98						
	INCH/MM		NTS		EC NO: 713658 DRWN: DMYRICK CHKD: THEANY APPR: THEANY INITIAL REVISION: DRWN: ETHRODAHL APPR: JMACNEIL						
	GENERAL TOLERANCES (UNLESS SPECIFIED)										
		MM	INCH								
DIVISIONAL SYMBOLS	4 PLACES	±		±	2022/07/08 2022/07/11 2022/07/11 2009/07/09 2009/07/09						
	3 PLACES	±		± 0.005							
	2 PLACES	±	0.13	± 0.01							
	1 PLACE	±	0.25	±							
	0 PLACES	±		±	DOCUMENT NUMBER: SD-19154-006 DOC TYPE: PSD DOC PART: 001 REVISION: A1						
	ANGULAR TOL	±	0.5°								
DRAFT WHERE APPLICABLE MUST REMAIN WITHIN DIMENSIONS				THIRD ANGLE PROJECTION		DRAWING	SERIES	MATERIAL NUMBER	CUSTOMER	SHEET NUMBER	
						B-SIZE	19154	SEE CHART	GENERAL MARKET	1 OF 1	