

DS3251/DS3252/DS3253/DS3254 Single/Dual/Triple/Quad DS3/E3/STS-1 LIUs

www.maxim-ic.com

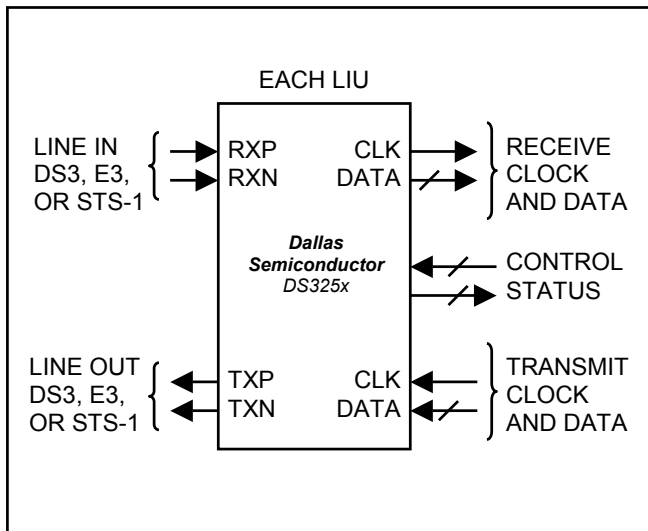
GENERAL DESCRIPTION

The DS3251 (single), DS3252 (dual), DS3253 (triple), and DS3254 (quad) line interface units (LIUs) perform the functions necessary for interfacing at the physical layer to DS3, E3, or STS-1 lines. Each LIU has independent receive and transmit paths and a built-in jitter attenuator. An on-chip clock adapter generates all line-rate clocks from a single input clock. Control interface options include 8-bit parallel, SPI, and hardware mode.

APPLICATIONS

SONET/SDH and PDH Multiplexers
Digital Cross-Connects
Access Concentrators
ATM and Frame Relay Equipment
Routers
PBXs
DSLAMs
CSU/DSUs

FUNCTIONAL DIAGRAM



FEATURES

- Pin-Compatible Family of Products
- Each Port Independently Configurable
- Receive Clock and Data Recovery for Up to 380 meters (DS3), 440 meters (E3), or 360 meters (STS-1) of 75Ω Coaxial Cable
- Standards-Compliant Transmit Waveshaping
- Three Control Interface Options: 8-Bit Parallel, SPI, and Hardware Mode
- Built-In Jitter Attenuators can be Placed in Either the Receive or Transmit Paths
- Jitter Attenuators Have Provisionable Buffer Depth: 16, 32, 64, or 128 Bits
- Built-In Clock Adapter Generates All Line-Rate Clocks from a Single Input Clock (DS3, E3, STS-1, OC-3, 19.44MHz, 38.88MHz, 77.76MHz)
- B3ZS/HDB3 Encoding and Decoding
- Minimal External Components Required
- Local and Remote Loopbacks
- Low-Power 3.3V Operation (5V Tolerant I/O)
- Industrial Temperature Range: -40°C to +85°C
- Small Package: 144-Pin, 13mm x 13mm Thermally Enhanced CSBGA
- Drop-In Replacement for DS3151/52/53/54 LIUs
- IEEE 1149.1 JTAG Support

Features continued on page 5.

ORDERING INFORMATION

| PART | LIU | TEMP RANGE | PIN-PACKAGE |
|---------------|-----|----------------|--------------|
| DS3251 | 1 | 0°C to +70°C | 144 TE-CSBGA |
| DS3251N | 1 | -40°C to +85°C | 144 TE-CSBGA |
| DS3252 | 2 | 0°C to +70°C | 144 TE-CSBGA |
| DS3252N | 2 | -40°C to +85°C | 144 TE-CSBGA |
| DS3253 | 3 | 0°C to +70°C | 144 TE-CSBGA |
| DS3253N | 3 | -40°C to +85°C | 144 TE-CSBGA |
| DS3254 | 4 | 0°C to +70°C | 144 TE-CSBGA |
| DS3254N | 4 | -40°C to +85°C | 144 TE-CSBGA |

Note: Some revisions of this device may incorporate deviations from published specifications known as errata. Multiple revisions of any device may be simultaneously available through various sales channels. For information about device errata, click here: www.maxim-ic.com/errata.

TABLE OF CONTENTS

| | | |
|------------|---|-----------|
| 1. | STANDARDS COMPLIANCE | 6 |
| 2. | DETAILED DESCRIPTION | 7 |
| 3. | APPLICATION EXAMPLE | 7 |
| 4. | BLOCK DIAGRAMS | 8 |
| 5. | CONTROL INTERFACE MODES | 9 |
| 6. | PIN DESCRIPTIONS | 10 |
| 7. | REGISTER DESCRIPTIONS | 15 |
| 8. | RECEIVER | 24 |
| 8.1 | INTERFACING TO THE LINE | 24 |
| 8.2 | OPTIONAL PREAMP | 24 |
| 8.3 | AUTOMATIC GAIN CONTROL (AGC) AND ADAPTIVE EQUALIZER | 24 |
| 8.4 | CLOCK AND DATA RECOVERY (CDR) | 24 |
| 8.5 | LOSS-OF-SIGNAL (LOS) DETECTOR | 24 |
| 8.6 | FRAMER INTERFACE FORMAT AND THE B3ZS/HDB3 DECODER | 25 |
| 8.7 | RECEIVE LINE-CODE VIOLATION COUNTER | 26 |
| 8.8 | RECEIVER POWER-DOWN | 26 |
| 8.9 | RECEIVER JITTER TOLERANCE | 26 |
| 9. | TRANSMITTER | 27 |
| 9.1 | TRANSMIT CLOCK | 27 |
| 9.2 | FRAMER INTERFACE FORMAT AND THE B3ZS/HDB3 ENCODER | 27 |
| 9.3 | PATTERN GENERATION | 27 |
| 9.4 | WAVESHAPING, LINE BUILD-OUT, LINE DRIVER | 28 |
| 9.5 | INTERFACING TO THE LINE | 28 |
| 9.6 | TRANSMIT DRIVER MONITOR | 28 |
| 9.7 | TRANSMITTER POWER-DOWN | 28 |
| 9.8 | TRANSMITTER JITTER GENERATION (INTRINSIC) | 28 |
| 9.9 | TRANSMITTER JITTER TRANSFER | 28 |
| 10. | JITTER ATTENUATOR | 32 |
| 11. | DIAGNOSTICS | 34 |
| 11.1 | PRBS GENERATOR AND DETECTOR | 34 |
| 11.2 | LOOPBACKS | 34 |
| 12. | CLOCK ADAPTER | 35 |
| 13. | RESET LOGIC | 35 |
| 14. | TRANSFORMERS | 36 |
| 15. | CPU INTERFACES | 37 |
| 15.1 | PARALLEL INTERFACE | 37 |
| 15.2 | SPI INTERFACE | 37 |
| 16. | JTAG TEST ACCESS PORT AND BOUNDARY SCAN | 40 |
| 16.1 | JTAG DESCRIPTION | 40 |
| 16.2 | JTAG TAP CONTROLLER STATE MACHINE DESCRIPTION | 40 |
| 16.3 | JTAG INSTRUCTION REGISTER AND INSTRUCTIONS | 42 |
| 16.4 | JTAG TEST REGISTERS | 43 |
| 17. | ELECTRICAL CHARACTERISTICS | 44 |
| 18. | PIN ASSIGNMENTS | 56 |
| 19. | PACKAGE INFORMATION | 70 |
| 19.1 | 144-PIN TE-CSBGA (56-G6016-001) | 70 |
| 20. | THERMAL INFORMATION | 71 |
| 21. | REVISION HISTORY | 71 |

LIST OF FIGURES

| | |
|--|----|
| Figure 2-1. External Connections | 7 |
| Figure 3-1. 4-Port Unchannelized DS3/E3 Card | 7 |
| Figure 4-1. CPU Bus Mode Block Diagram | 8 |
| Figure 4-2. Hardware Mode Block Diagram | 9 |
| Figure 7-1. Status Register Logic | 16 |
| Figure 8-1. Receiver Jitter Tolerance | 27 |
| Figure 9-1. E3 Waveform Template..... | 30 |
| Figure 9-2. DS3 AIS Structure | 31 |
| Figure 10-1. Jitter Attenuation/Jitter Transfer | 33 |
| Figure 11-1. PRBS Output with Normal RCLK Operation | 34 |
| Figure 11-2. PRBS Output with Inverted RCLK Operation..... | 34 |
| Figure 15-1. SPI Clock Polarity and Phase Options..... | 38 |
| Figure 15-2. SPI Bus Transactions..... | 39 |
| Figure 16-1. JTAG Block Diagram..... | 41 |
| Figure 16-2. JTAG TAP Controller State Machine | 42 |
| Figure 17-1. Transmitter Framer Interface Timing Diagram..... | 46 |
| Figure 17-2. Receiver Framer Interface Timing Diagram | 46 |
| Figure 17-3. Parallel CPU Interface Timing Diagram (Nonmultiplexed)..... | 50 |
| Figure 17-4. Parallel CPU Interface Timing Diagram (Multiplexed) | 52 |
| Figure 17-5. SPI Interface Timing Diagram | 54 |
| Figure 17-6. JTAG Timing Diagram..... | 55 |
| Figure 18-1. DS3251 Hardware Mode Pin Assignment..... | 58 |
| Figure 18-2. DS3251 Parallel Bus Mode Pin Assignment..... | 59 |
| Figure 18-3. DS3251 SPI Bus Mode Pin Assignment | 60 |
| Figure 18-4. DS3252 Hardware Mode Pin Assignment..... | 61 |
| Figure 18-5. DS3252 Parallel Bus Mode Pin Assignment..... | 62 |
| Figure 18-6. DS3252 SPI Bus Mode Pin Assignment | 63 |
| Figure 18-7. DS3253 Hardware Mode Pin Assignment..... | 64 |
| Figure 18-8. DS3253 Parallel Bus Mode Pin Assignment..... | 65 |
| Figure 18-9. DS3253 SPI Bus Mode Pin Assignment | 66 |
| Figure 18-10. DS3254 Hardware Mode Pin Assignment..... | 67 |
| Figure 18-11. DS3254 Parallel Bus Mode Pin Assignment..... | 68 |
| Figure 18-12. DS3254 SPI Bus Mode Pin Assignment | 69 |

LIST OF TABLES

| | |
|--|----|
| Table 1-A. Applicable Telecommunications Standards | 6 |
| Table 6-A. Global Pin Descriptions | 10 |
| Table 6-B. Receiver Pin Descriptions | 11 |
| Table 6-C. Transmitter Pin Descriptions | 11 |
| Table 6-D. Hardware Mode Pin Descriptions | 12 |
| Table 6-E. Parallel Bus Mode Pin Descriptions | 13 |
| Table 6-F. SPI Bus Mode Pin Descriptions | 13 |
| Table 6-G. Transmitter Data Select Options | 14 |
| Table 6-H. Receiver PRBS Pattern Select Options | 14 |
| Table 6-I. Hardware Mode Jitter Attenuator Configuration | 14 |
| Table 7-A. Register Map | 15 |
| Table 9-A. DS3 Waveform Template | 29 |
| Table 9-B. DS3 Waveform Test Parameters and Limits | 29 |
| Table 9-C. STS-1 Waveform Template | 29 |
| Table 9-D. STS-1 Waveform Test Parameters and Limits | 29 |
| Table 9-E. E3 Waveform Test Parameters and Limits | 30 |
| Table 14-A. Transformer Characteristics | 36 |
| Table 14-B. Recommended Transformers | 36 |
| Table 16-A. JTAG Instruction Codes | 42 |
| Table 16-B. JTAG ID Code | 43 |
| Table 17-A. Recommended DC Operating Conditions | 44 |
| Table 17-B. DC Characteristics | 44 |
| Table 17-C. Framer Interface Timing | 45 |
| Table 17-D. Receiver Input Characteristics—DS3 and STS-1 Modes | 47 |
| Table 17-E. Receiver Input Characteristics—E3 Mode | 47 |
| Table 17-F. Transmitter Output Characteristics—DS3 and STS-1 Modes | 48 |
| Table 17-G. Transmitter Output Characteristics—E3 Mode | 48 |
| Table 17-H. Parallel CPU Interface Timing | 49 |
| Table 17-I. SPI Interface Timing | 54 |
| Table 17-J. JTAG Interface Timing | 55 |
| Table 18-A. Pin Assignments Sorted by Signal Name | 56 |
| Table 20-A. Thermal Properties, Natural Convection | 71 |
| Table 20-B. Theta-JA (θ_{JA}) vs. Airflow | 71 |

FEATURES (CONTINUED)

Receiver

- AGC/equalizer block handles from 0 to 15dB of cable loss
- Loss-of-lock (LOL) PLL status indication
- Interfaces directly to a DSX monitor signal (~20dB flat loss) using built-in preamp
- Digital and analog loss-of-signal (LOS) detectors (ANSI T1.231 and ITU G.775)
- Optional B3ZS/HDB3 decoder
- Line-code violation output pin and counter
- Binary or bipolar framer interface
- On-board $2^{15} - 1$ and $2^{23} - 1$ PRBS detector
- Clock inversion for glueless interfacing
- Tri-state clock and data outputs support protection switching applications
- Per-channel power-down control

Transmitter

- Binary or bipolar framer interface
- Gapped clock capable up to 51.84MHz
- Wide $50 \pm 20\%$ transmit clock duty cycle
- Clock inversion for glueless interfacing
- Optional B3ZS/HDB3 encoder
- On-board $2^{15} - 1$ and $2^{23} - 1$ PRBS generator
- Complete DS3 AIS generator (ANSI T1.107)
- Unframed all-ones generator (E3 AIS)
- Line build-out (LBO) control
- Tri-state line driver outputs support protection switching applications
- Per-channel power-down control
- Output driver monitor

Jitter Attenuator

- On-chip crystal-less jitter attenuator
- Meets all applicable ANSI, ITU, ETSI and Telcordia jitter transfer and output jitter requirements
- Can be placed in the transmit path, receive path or disabled
- Selectable FIFO depth: 16, 32, 64 or 128 bits
- Overflow and underflow status indications

Clock Adapter

- Operates from a single DS3, E3, STS-1, 19.44 MHz, 38.88 MHz, or 77.76 MHz master clock
- Synthesizes clock rates that are not provided externally
- Use of common system timing frequencies such as 19.44 MHz eliminates the need for any local oscillators, reduces cost and board space
- Very small jitter gain and intrinsic jitter generation
- Optionally provides synthesized clocks on output pins for use by neighboring components, such as framers or mappers

Parallel CPU Interface

- Multiplexed or nonmultiplexed 8-bit interface
- Configurable for Intel mode (\overline{CS} , \overline{WR} , \overline{RD}) or Motorola mode (\overline{CS} , \overline{DS} , $R\overline{W}$)

SPI CPU Interface

- Operation up to 10 Mbit/s
- Burst mode for multi-byte read and write accesses
- Programmable clock polarity and phase
- Half-duplex operation gives option to tie SDI and SDO together externally to reduce wire count

1. STANDARDS COMPLIANCE

Table 1-A. Applicable Telecommunications Standards

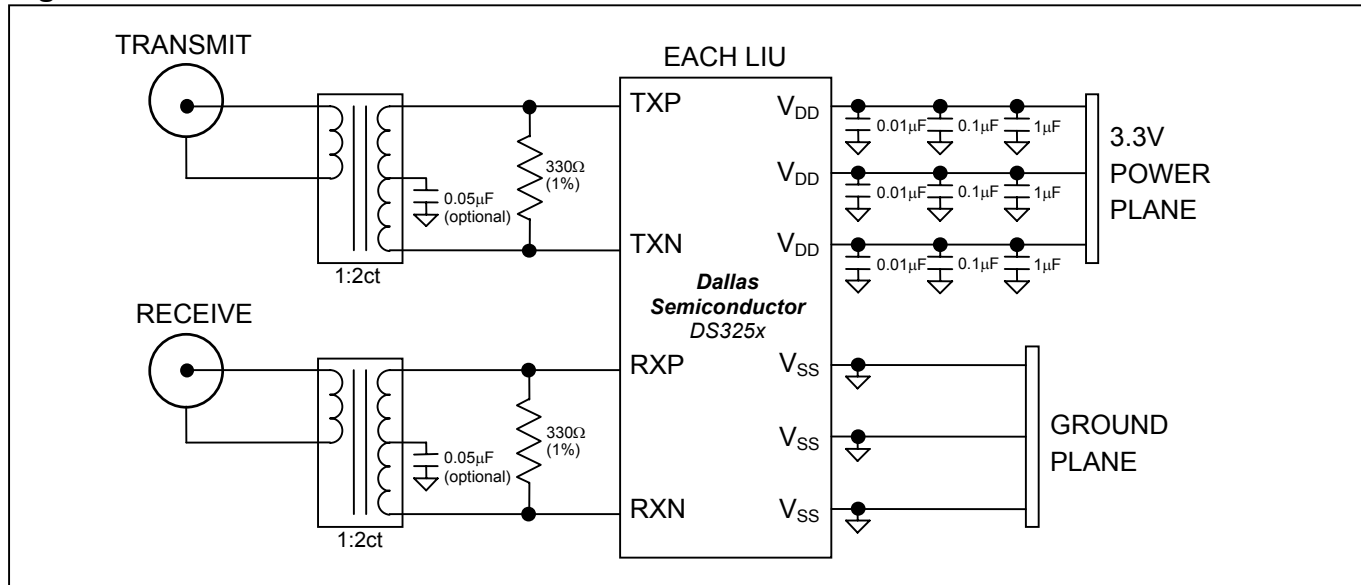
| SPECIFICATION | SPECIFICATION TITLE |
|----------------------|--|
| ANSI | |
| T1.102-1993 | <i>Digital Hierarchy—Electrical Interfaces</i> |
| T1.107-1995 | <i>Digital Hierarchy—Formats Specification</i> |
| T1.231-1997 | <i>Digital Hierarchy—Layer 1 In-Service Digital Transmission Performance Monitoring</i> |
| T1.404-1994 | <i>Network-to-Customer Installation—DS3 Metallic Interface Specification</i> |
| ITU-T | |
| G.703 | <i>Physical/Electrical Characteristics of Hierarchical Digital Interfaces, 1991</i> |
| G.751 | <i>Digital Multiplex Equipment Operating at the Third-Order Bit Rate of 34,368kbps and the Fourth-Order Bit Rate of 139,264kbps and Using Positive Justification, 1993</i> |
| G.775 | <i>Loss of Signal (LOS) and Alarm Indication Signal (AIS) Defect Detection and Clearance Criteria, November 1994</i> |
| G.823 | <i>The Control of Jitter and Wander within Digital Networks that are Based on the 2048kbps Hierarchy, 1993</i> |
| G.824 | <i>The Control of Jitter and Wander within Digital Networks that are Based on the 1544kbps Hierarchy, 1993</i> |
| O.151 | <i>Error Performance Measuring Equipment Operating at the Primary Rate and Above, October 1992</i> |
| ETSI | |
| ETS 300 686 | <i>Business TeleCommunications; 34Mbps and 140Mbps Digital Leased Lines (D34U, D34S, D140U, and D140S); Network Interface Presentation, 1996</i> |
| ETS 300 687 | <i>Business TeleCommunications; 34Mbps Digital Leased Lines (D34U and D34S); Connection Characteristics, 1996</i> |
| ETS EN 300 689 | <i>Access and Terminals (AT); 34Mbps Digital Leased Lines (D34U and D34S); Terminal equipment interface, July 2001</i> |
| TBR 24 | <i>Business TeleCommunications; 34Mbps Digital Unstructured and Structured Lease Lines; Attachment Requirements for Terminal Equipment Interface, 1997</i> |
| TELCORDIA | |
| GR-253-CORE | <i>SONET Transport Systems: Common Generic Criteria, Issue 2, December 1995</i> |
| GR-499-CORE | <i>Transport Systems Generic Requirements (TSGR): Common Requirements, Issue 1, December 1998</i> |

2. DETAILED DESCRIPTION

The DS3251 (single), DS3252 (dual), DS3253 (triple), and DS3254 (quad) LIUs perform the functions necessary for interfacing at the physical layer to DS3, E3, or STS-1 lines. Each LIU has independent receive and transmit paths and a built-in jitter attenuator. The receiver performs clock and data recovery from a B3ZS- or HDB3-coded alternate mark inversion (AMI) signal and monitors for loss of the incoming signal. The receiver optionally performs B3ZS/HDB3 decoding and outputs the recovered data in either binary or bipolar format. The transmitter accepts data in either binary or bipolar format, optionally performs B3ZS/HDB3 encoding, and drives standard pulse-shape waveforms onto 75Ω coaxial cable. The jitter attenuator can be mapped into the receiver data path, mapped into the transmitter data path, or be disabled. An on-chip clock adapter generates all line-rate clocks from a single input clock. Control interface options include 8-bit parallel, SPI™, and hardware mode. The DS325x LIUs conform to the telecommunications standards listed in [Table 1-A](#). [Figure 2-1](#) shows the external components required for proper operation.

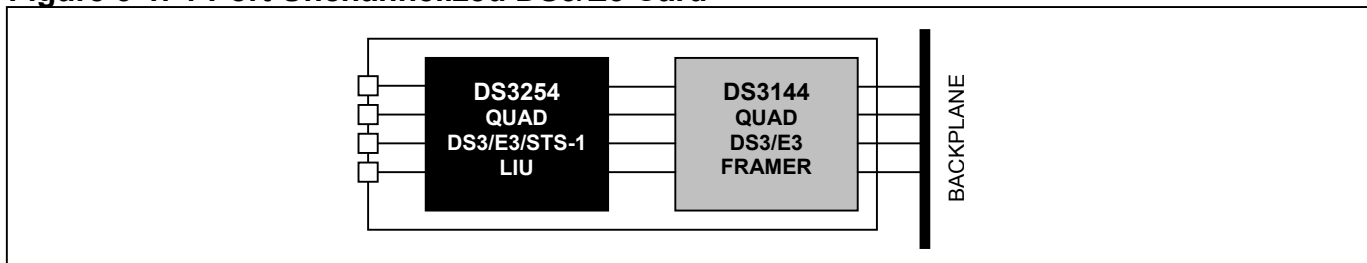
Shorthand Notations. The notation “DS325x” throughout this data sheet refers to either the DS3251, DS3252, DS3253, or DS3254. This data sheet is the specification for all four devices. The LIUs on the DS325x devices are identical. For brevity, this document uses the pin name and register name shorthand “NAME_n,” where “n” stands in place of the LIU port number. For example, on the DS3254 quad LIU, TCLK_n is shorthand notation for pins TCLK1, TCLK2, TCLK3, and TCLK4 on LIU ports 1, 2, 3, and 4, respectively. This document also uses generic pin and register names such as TCLK (without a number suffix) when describing LIU operation. When working with a specific LIU on the DS325x devices, generic names like TCLK should be converted to actual pin names, such as TCLK1.

Figure 2-1. External Connections



3. APPLICATION EXAMPLE

Figure 3-1. 4-Port Unchannelized DS3/E3 Card



SPI is a trademark of Motorola, Inc.

4. BLOCK DIAGRAMS

Figure 4-1. CPU Bus Mode Block Diagram

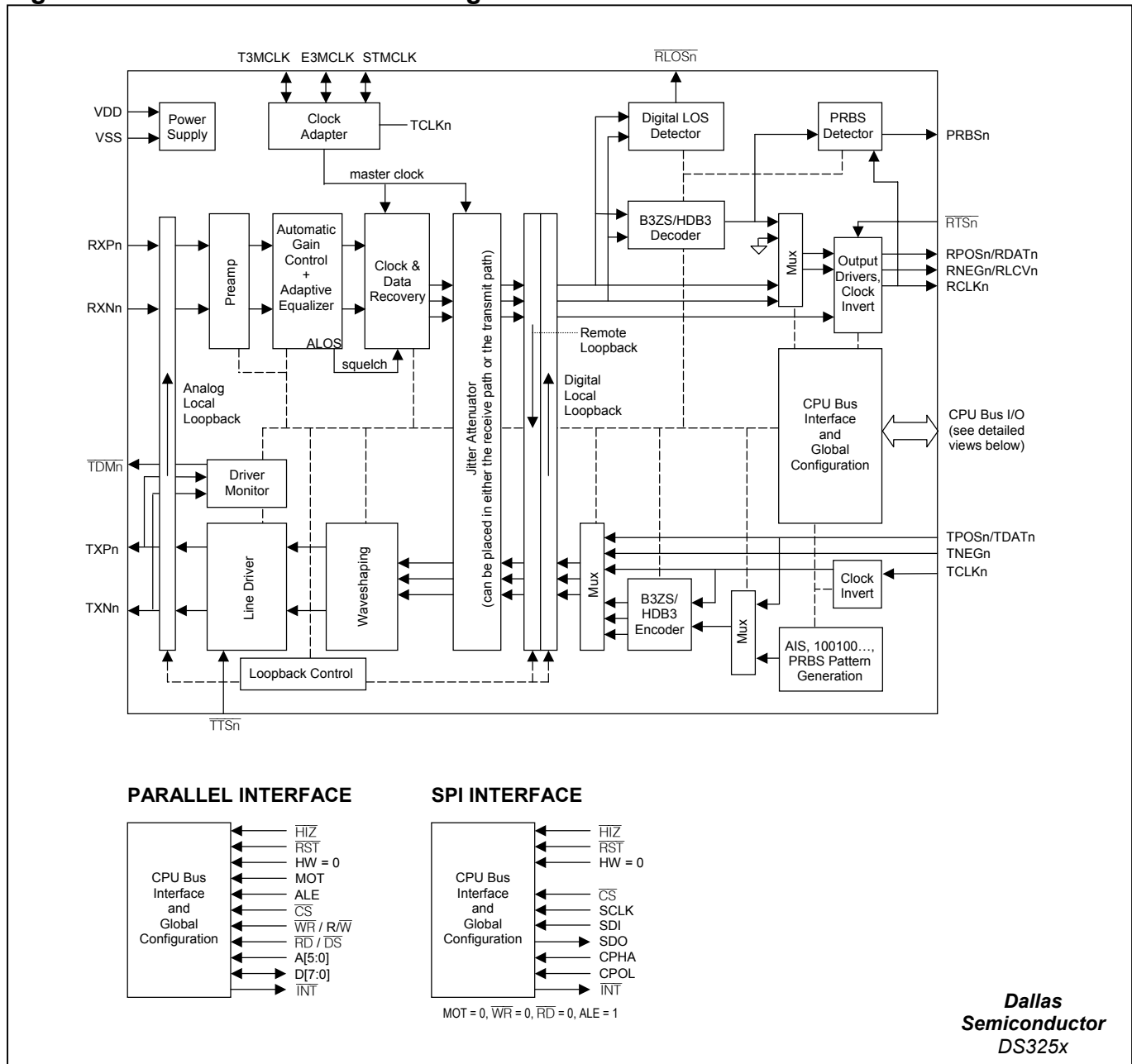
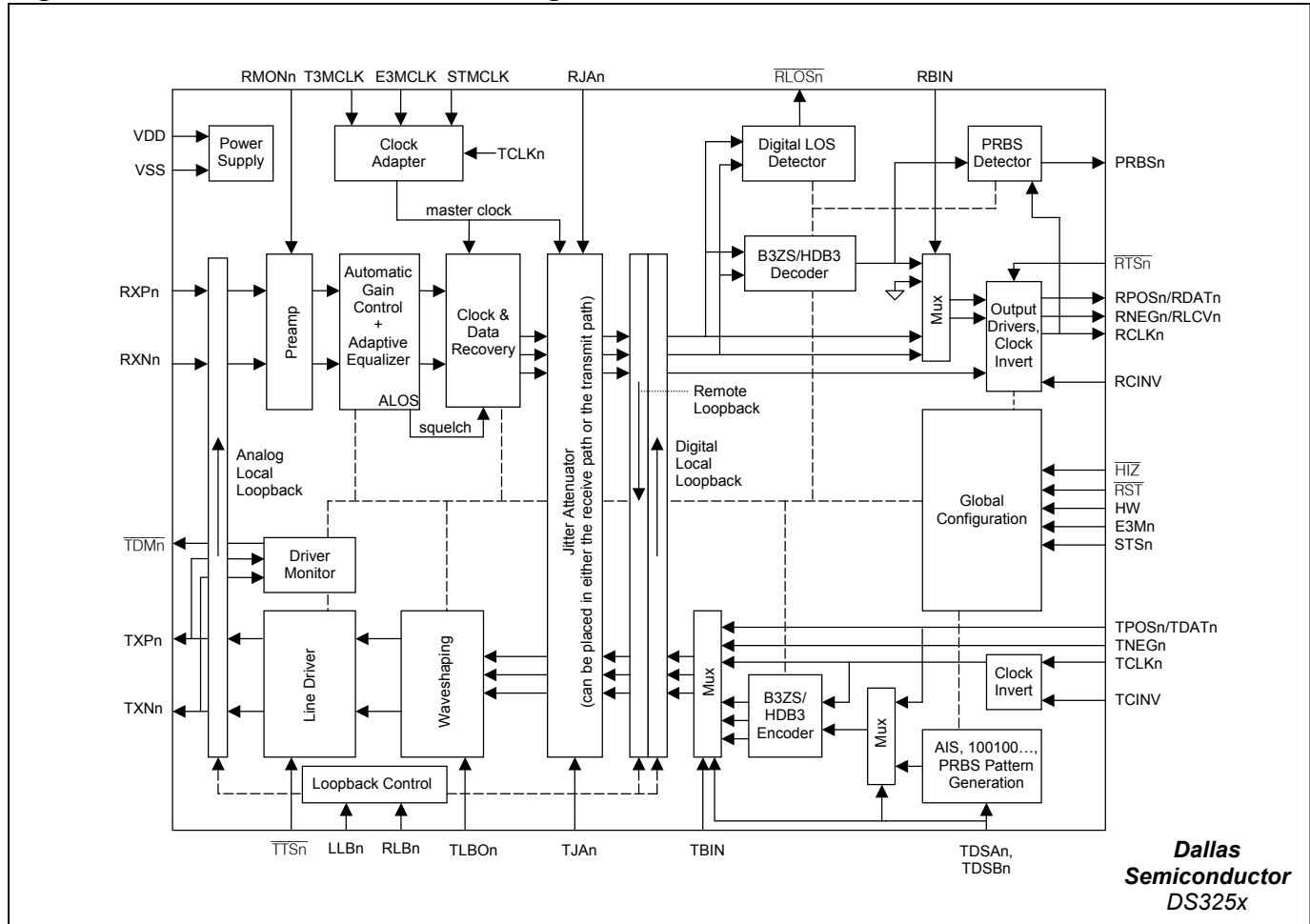


Figure 4-2. Hardware Mode Block Diagram



5. CONTROL INTERFACE MODES

The DS325x devices can operate in hardware mode or two different CPU bus modes: 8-bit parallel and SPI serial. In hardware mode, configuration input pins control device configuration, while status output pins indicate device status. Internal registers are not accessible in hardware mode. The device is configured for hardware mode when the HW pin is wired high (HW = 1).

In the CPU bus modes, most of the configuration and status pins used in hardware mode are reassigned to the CPU bus interface. Through the bus interface an external processor can access a set of internal configuration and status registers. A few configuration and status pins are active in both hardware mode and the CPU bus modes to support specialized applications, such as protection switching. The device is configured for CPU bus mode when the HW pin is wired low (HW = 0). The default CPU interface is 8-bit parallel. When the MOT, RD and WR pins are all low and the ALE pin is high, the SPI interface is enabled. See Section 15 for more information on the CPU interfaces.

With the exception of the HW pin, configuration and status pins available in hardware mode have corresponding register bits in the CPU bus mode. The hardware mode pins and the CPU bus mode register bits have identical names and functions, with the exception that all register bits are active high. For example, LOS is indicated by the receiver on the \overline{RLOS} pin (active low) in hardware mode and the RLOS register bit (active high) in CPU bus mode. The few configuration input pins that are active in CPU bus mode also have corresponding register bits. In these cases, the actual configuration is the logical OR of pin assertion and register bit assertion. For example, the transmitter output driver is tri-stated if the \overline{TTS} pin is asserted (i.e., low) or the TTS register bit is asserted (high). Figure 4-1 and Figure 4-2 show block diagrams of the DS325x in hardware mode and in CPU bus mode.

6. PIN DESCRIPTIONS

Table 6-A through Table 6-C list the pins that are always active. Table 6-D through Table 6-F list the additional pins that active in each of the three control interface modes. Section 18 shows pin assignments for all three control interface modes.

Table 6-A. Global Pin Descriptions

Note: These pins are always active.

| NAME | TYPE | FUNCTION |
|---------------------------|-----------------|---|
| T3MCLK | I/O | T3 Master Clock. If a clock is applied to T3MCLK, it must be transmission-quality (± 20 ppm, low jitter). When present, the T3MCLK signal serves as the DS3 master clock for the CDRs and jitter attenuators of all LIUs configured for DS3 operation. If T3MCLK is held low, the clock adapter block synthesizes the DS3 master clock from the clock applied to E3MCLK (first choice) or the clock applied to STMCLK (second choice). If T3MCLK is held high, each LIU in DS3 mode uses its TCLK signal as its master clock. If T3MCLK is held low but E3MCLK and STMCLK are not toggling, then each LIU in DS3 mode uses its TCLK signal as its master clock. Pin is input-only in Hardware mode, input/output in CPU Bus mode. See Section 12 for more information. |
| E3MCLK | I/O | E3 Master Clock. If a clock is applied to E3MCLK, it must be transmission-quality (± 20 ppm, low jitter). When present, the E3MCLK signal serves as the E3 master clock for the CDRs and jitter attenuators of all LIUs configured for E3 operation. If E3MCLK is held low, the clock adapter block synthesizes the E3 master clock from the clock applied to T3MCLK (first choice) or the clock applied to STMCLK (second choice). If E3MCLK is held high, each LIU in E3 mode uses its TCLK signal as its master clock. If E3MCLK is held low but T3MCLK and STMCLK are not toggling, then each LIU in E3 mode uses its TCLK signal as its master clock. Pin is input-only in Hardware mode, input/output in CPU Bus mode. See Section 12 for more information. |
| STMCLK | I/O | STS-1 Master Clock. If a clock is applied to STMCLK, it must be transmission-quality (± 20 ppm, low jitter). When present, the STMCLK signal serves as the STS-1 master clock for the CDRs and jitter attenuators of all LIUs configured for STS-1 operation. If STMCLK is held low, the clock adapter block synthesizes the STS-1 master clock from the clock applied to T3MCLK (first choice) or the clock applied to E3MCLK (second choice). If STMCLK is held high, each LIU in STS-1 mode uses its TCLK signal as its master clock. If STMCLK is held low but T3MCLK and E3MCLK are not toggling, then each LIU in STS-1 mode uses its TCLK signal as its master clock. Pin is input-only in Hardware mode, input/output in CPU Bus mode. See Section 12 for more information. |
| $\overline{\text{HIZ}}$ | I _{PU} | High-Z Enable Input (Active Low, Open Drain, Internal 10kΩ Pullup to V_{DD}) 0 = tri-state all output pins (Note that the JTRST pin must be low.) 1 = normal operation |
| HW | I | Hardware Mode Select 0 = CPU bus mode 1 = Hardware mode See Section 5 for details. |
| JTCLK | I | JTAG IEEE 1149.1 Test Serial Clock. JTCLK shifts data into JTDI on the rising edge and out of JTDO on the falling edge. If boundary scan is not used, JTCLK should be pulled high. |
| JTDI | I _{PU} | JTAG IEEE 1149.1 Test Serial-Data Input (Internal 10kΩ Pullup). Test instructions and data are clocked in on this pin on the rising edge of JTCLK. If boundary scan is not used, JTDI should be left unconnected or pulled high. |
| JTDO | O | JTAG IEEE 1149.1 Test Serial-Data Output. Test instructions and data are clocked out on this pin on the falling edge of JTCLK. |
| $\overline{\text{JTRST}}$ | I _{PU} | JTAG IEEE 1149.1 Test Reset (Internal 10kΩ Pullup to V_{DD}). This pin is used to asynchronously reset the test access port (TAP) controller. If boundary scan is not used, $\overline{\text{JTRST}}$ can be held low or high. |
| JTMS | I _{PU} | JTAG IEEE 1149.1 Test Mode Select (Internal 10kΩ Pullup to V_{DD}). This pin is sampled on the rising edge of JTCLK and is used to place the port into the various defined IEEE 1149.1 states. If boundary scan is not used, JTMS should be left unconnected or pulled high. |
| $\overline{\text{RST}}$ | I _{PU} | Reset Input (Active Low, Open Drain, Internal 10kΩ Pullup to V_{DD}). When this global asynchronous reset is pulled low, the internal circuitry is reset and the internal registers (CPU bus mode) are forced to their default values. The device is held in reset as long as $\overline{\text{RST}}$ is low. $\overline{\text{RST}}$ should be held low for at least two master clock cycles. See Section 13 for more information. |
| $\overline{\text{TEST}}$ | I _{PU} | Factory Test Pin. Leave unconnected or wire high for normal operation. |
| V _{DD} | P | Positive Supply. 3.3V $\pm 5\%$. All V _{DD} signals should be wired together. |
| V _{SS} | P | Ground Reference. All V _{SS} signals should be wired together. |

Table 6-B. Receiver Pin Descriptions*Note: These pins are always active.*

| NAME | TYPE | FUNCTION |
|----------------------------|------|--|
| RXPn, RXNn | I | Receiver Analog Inputs. These differential AMI inputs are coupled to the inbound 75Ω coaxial cable through a 1:2 step-up transformer (Figure 2-1). |
| RCLKn | O3 | Receiver Clock. The recovered clock is output on the RCLK pin. Recovered data is output on the RPOS/RDAT and RNEG/RLCV pins on the falling edge of RCLK (RCINV = 0) or the rising edge of RCLK (RCINV = 1). During a loss of signal ($\overline{\text{RLOS}} = 0$), the RCLK output signal is derived from the LIU's master clock. |
| RPOSn/ RDATn | O3 | Receiver Positive AMI/Receiver Data. When the receiver is configured to have a bipolar interface (RBIN = 0), RPOS pulses high for each positive AMI pulse received. When the receiver is configured to have a binary interface (RBIN = 1), RDAT outputs decoded binary data. RPOS/RDAT is updated either on the falling edge of RCLK (RCINV = 0) or the rising edge of RCLK (RCINV = 1). |
| RNEGn/ RLCVn | O3 | Receiver Negative AMI/Line-Code Violation. When the receiver is configured to have a bipolar interface (RBIN = 0), RNEG pulses high for each negative AMI pulse received. When the receiver is configured to have a binary interface (RBIN = 1), RLCV pulses high to flag code violations. See Section 8.6 for further details on code violations. RNEG/RLCV is updated either on the falling edge of RCLK (RCINV = 0) or the rising edge of RCLK (RCINV = 1). |
| $\overline{\text{RTS}}_n$ | I | Receiver Tri-State Enable (Active Low). $\overline{\text{RTS}}$ tri-states the RPOS/RDAT, RNEG/RLCV, and RCLK receiver outputs. This feature supports applications requiring LIU redundancy. Receiver outputs from multiple LIUs can be wire-ORed together, eliminating the need for external switches or muxes. The receiver continues to operate internally when $\overline{\text{RTS}}$ is low. 0 = tri-state the receiver outputs 1 = enable the receiver outputs |
| $\overline{\text{RLOS}}_n$ | O | Receiver Loss of Signal (Active Low, Open Drain). $\overline{\text{RLOS}}$ is asserted upon detection of 175 ±75 consecutive zeros in the receive data stream. $\overline{\text{RLOS}}$ is deasserted when there are no excessive zero occurrences over a span of 175 ±75 clock periods. An excessive zero occurrence is defined as three or more consecutive zeros in the DS3 and STS-1 modes or four or more zeros in the E3 mode. See Section 8.5 for more information. |
| PRBSn | O | PRBS Detector Output. This signal reports the status of the PRBS detector. See Section 11 for further details. |

Table 6-C. Transmitter Pin Descriptions*Note: These pins are always active.*

| NAME | TYPE | FUNCTION |
|---------------------------|------|--|
| TCLKn | I | Transmitter Clock. A DS3 (44.736MHz ±20ppm), E3 (34.368MHz ±20ppm), or STS-1 (51.840MHz ±20ppm) clock should be applied at this signal. Data to be transmitted is clocked into the device at TPOS/TDAT and TNEG either on the rising edge of TCLK (TCINV = 0) or the falling edge of TCLK (TCINV = 1). See Section 9 for additional details. |
| TPOSn/ TDATn | I | Transmitter Positive AMI/Transmitter Data. When the transmitter is configured to have a bipolar interface (TBIN = 0), a positive pulse is transmitted on the line when TPOS is high. When the transmitter is configured to have a binary interface (TBIN = 1), the data on TDAT is transmitted after B3ZS or HDB3 encoding. TPOS/TDAT is sampled either on the rising edge of TCLK (TCINV = 0) or on the falling edge of TCLK (TCINV = 1). |
| TNEGn | I | Transmitter Negative AMI. When the transmitter is configured to have a bipolar interface (TBIN = 0), a negative pulse is transmitted on the line when TNEG is high. When the transmitter is configured to have a binary interface (TBIN = 1), TNEG is ignored and should be wired either high or low. TNEG is sampled either on the rising edge of TCLK (TCINV = 0) or on the falling edge of TCLK (TCINV = 1). |
| TXPn, TXNn | O3 | Transmitter Analog Outputs. These differential AMI outputs are coupled to the outbound 75Ω coaxial cable through a 2:1 step-down transformer (Figure 2-1). These outputs can be tri-stated using the $\overline{\text{TTS}}$ pin or the TTS or TPS configuration bits. |
| $\overline{\text{TDM}}_n$ | O | Transmitter Driver Monitor (Active Low, Open Drain). $\overline{\text{TDM}}$ reports the status of the transmit driver monitor. When the monitor detects a faulty transmitter, $\overline{\text{TDM}}$ is driven low. $\overline{\text{TDM}}$ requires an external pullup to V_{DD} . See Section 9.6 for more information. |
| $\overline{\text{TTS}}_n$ | I | Transmitter Tri-State Enable (Active Low). $\overline{\text{TTS}}$ tri-states the transmitter outputs (TXP and TXN). This feature supports applications requiring LIU redundancy. Transmitter outputs from multiple LIUs can be wire-ORed together, eliminating external switches. The transmitter continues to operate internally when $\overline{\text{TTS}}$ is active. 0 = tri-state the transmitter output driver 1 = enable the transmitter output driver |

Table 6-D. Hardware Mode Pin Descriptions

Note: These pins are active in hardware mode.

| NAME | TYPE | FUNCTION |
|-----------------|------|--|
| E3Mn | I | E3 Mode Enable 0 = DS3 operation 1 = E3 or STS-1 operation |
| STSn | I | STS-1 Mode Enable When E3M = 1, 0 = E3 operation 1 = STS-1 operation When E3M = 0, STS selects the DS3 AIS pattern. See Table 6-G . |
| LLBn, RLBn | I | Local Loopback Select, Remote Loopback Select {LLB, RLB} = 00 = no loopback 01 = remote loopback 10 = analog local loopback 11 = digital local loopback |
| RBIN | I | Receiver Binary Framer-Interface Enable 0 = Receiver framer interface is bipolar on the RPOS and RNEG pins. The B3ZS/HDB3 decoder is disabled. 1 = Receiver framer interface is binary on the RDAT pin with the RLCV pin indicating line-code violations. The B3ZS/HDB3 encoder is enabled. |
| RCINV | I | Receiver Clock Invert 0 = RPOS/RDAT and RNEG/RLCV update on the falling edge of RCLK. 1 = RPOS/RDAT and RNEG/RLCV update on the rising edge of RCLK. |
| RJAn | I | Receiver Jitter Attenuator Enable 0 = remove jitter attenuator from the receiver path 1 = insert jitter attenuator into the receiver path See Table 6-I for more information. |
| RMONn | I | Receive Monitor-Preamp Enable. RMON determines whether or not the receiver's preamp is enabled to provide flat gain to the incoming signal before the AGC/equalizer block processes it. This feature should be enabled when the device is being used to monitor signals that have been resistively attenuated by a monitor jack. See Section 8.2 for more information. 0 = disable the monitor preamp 1 = enable the monitor preamp |
| TBIN | I | Transmitter Binary Framer-Interface Enable 0 = Transmitter framer interface is bipolar on the TPOS and TNEG pins. The B3ZS/HDB3 encoder is disabled. 1 = Transmitter framer interface is binary on the TDAT pin. (TNEG is ignored and should be wired low.) The B3ZS/HDB3 encoder is enabled. |
| TCINV | I | Transmitter Clock Invert 0 = TPOS/TDAT and TNEG are sampled on the rising edge of TCLK. 1 = TPOS/TDAT and TNEG are sampled on the falling edge of TCLK. |
| TDSAn, TDSBn | I | Transmitter Data Select. These inputs select the source of the transmit data. See Table 6-G for details. |
| TJAn | I | Transmitter Jitter Attenuator Enable 0 = remove jitter attenuator from the transmitter path 1 = insert jitter attenuator into the transmitter path See Table 6-I for more information. |
| TLBOn | I | Transmitter Line Build-Out Enable. TLBO indicates cable length for waveform shaping in DS3 and STS-1 modes. TLBO is ignored for E3 mode and should be wired high or low. 0 = cable length \geq 225ft 1 = cable length $<$ 225ft |

Table 6-E. Parallel Bus Mode Pin Descriptions*Note: These pins are active in parallel bus mode.*

| NAME | TYPE | FUNCTION |
|----------------------------------|------|---|
| MOT | I | Motorola-Style Parallel CPU Interface 0 = Parallel CPU interface is Intel-style 1 = Parallel CPU interface is Motorola-style |
| ALE | I | Address Latch Enable. This signal controls a latch on the A[3:0] inputs. For a nonmultiplexed parallel CPU interface, ALE is wired high to make the latch transparent. For a multiplexed parallel CPU interface, the falling edge of ALE latches the address. |
| \overline{CS} | I | Chip Select (Active Low). \overline{CS} must be asserted to read or write internal registers. |
| $\overline{WR} / R/\overline{W}$ | I | Write Enable (Active Low) or Read/Write Select. For the Intel-style parallel CPU interface (MOT = 0), \overline{WR} is asserted to write internal registers. For the Motorola-style parallel CPU interface (MOT = 1), R/ \overline{W} determines the type of bus transaction, with R/ \overline{W} = 1 indicating a read and R/ \overline{W} = 0 indicating a write. |
| $\overline{RD} / \overline{DS}$ | I | Read Enable (Active Low) or Data Strobe (Active Low). For the Intel-style parallel CPU interface (MOT = 0), \overline{RD} is asserted to read internal registers. For the Motorola-style parallel CPU interface (MOT = 1), the rising edge of \overline{DS} writes data to internal registers. |
| A[5:0] | I | Address Bus. These inputs specify the address of the internal register to be accessed. A5 is not present on the DS3252. A5 and A4 are not present on the DS3251. |
| D[7:0] | I/O | Data Bus. These bidirectional lines are inputs during writes to internal registers and outputs during reads. |
| \overline{INT} | O | Interrupt Output (Active Low, Open Drain). This pin is forced low in response to one or more unmasked, active interrupt sources within the device. \overline{INT} remains low until the interrupt is serviced or masked. |

Table 6-F. SPI Bus Mode Pin Descriptions*Note: These pins are active in SPI bus mode.*

| NAME | TYPE | FUNCTION |
|---|------|---|
| MOT, \overline{RD} , \overline{WR} | I | Wire these pins low to enable SPI bus mode. |
| ALE | I | Wire this pin high when using SPI bus mode. |
| \overline{CS} | I | Chip Select (Active Low). \overline{CS} must be asserted to read or write internal registers. |
| SCLK | I | Serial Clock for SPI Interface. SCLK is always driven by the SPI bus master. |
| SDI | I | Serial Data Input for SPI Interface. The SPI bus master transmits data to the device on this pin. |
| SDO | O | Serial Data Output for SPI Interface The device transmits data to the SPI bus master on this pin. |
| CPHA | I | SPI Clock Phase 0 = data is latched on the leading edge of the SCLK pulse 1 = data is latched on the trailing edge of the SCLK pulse |
| CPOL | I | SPI Clock Polarity 0 = SCLK is normally low and pulses high during bus transactions 1 = SCLK is normally high and pulses low during bus transactions |
| \overline{INT} | O | Interrupt Output (Active Low, Open Drain). This pin is forced low in response to one or more unmasked, active interrupt sources within the device. \overline{INT} remains low until the interrupt is serviced or masked. |

Note 1: PIN TYPES

- I = input pin
- I_{PU} = input pin with internal 10k Ω pullup
- O = output pin
- O3 = output pin that can be tri-stated
- P = power-supply pin

Table 6-G. Transmitter Data Select Options

| TDSA | TDSB | E3M | STS | Tx MODE | TRANSMIT DATA SELECTED |
|------|------|-----|-----|------------|--|
| 0 | 0 | X | X | Any | Normal data as input at TPOS and TNEG |
| 0 | 1 | 0 | 0 | DS3 | Unframed all ones |
| 0 | 1 | 1 | 0 | E3 | |
| 0 | 1 | 1 | 1 | STS-1 | |
| 0 | 1 | 0 | 1 | DS3 | DS3 AIS per ANSI T1.107 (Figure 9-2) |
| 1 | 0 | X | X | Any | Unframed 100100... pattern |
| 1 | 1 | 1 | 0 | E3 | $2^{23} - 1$ PRBS pattern per ITU O.151 |
| 1 | 1 | 0 | X | DS3 | $2^{15} - 1$ PRBS pattern per ITU O.151 |
| 1 | 1 | 1 | 1 | STS-1 | |

Note 1: This coding of the TDSA, TDSB, E3M, and STS bits allows AIS generation to be enabled by holding TDSA = 0 and changing TDSB from 0 to 1. The type of DS3 AIS signal is selected by the STS bit with E3M = 0.

Note 2: If E3M and/or STS are changed when {TDSA,TDSB} \neq 00, TDSA and TDSB must both be cleared to 0. After they are cleared, TDSA and TDSB can be configured to transmit a pattern in the new operating mode.

Table 6-H. Receiver PRBS Pattern Select Options

| E3M | STS | Rx MODE | RECEIVER PRBS PATTERN SELECTED |
|-----|-----|------------|---|
| 1 | 0 | E3 | $2^{23} - 1$ PRBS pattern per ITU O.151 |
| 0 | X | DS3 | $2^{15} - 1$ PRBS pattern per ITU O.151 |
| 1 | 1 | STS-1 | |

Table 6-I. Hardware Mode Jitter Attenuator Configuration

| TJA | RJA | JITTER ATTENUATOR CONFIGURATION |
|-----|-----|------------------------------------|
| 0 | 0 | Disabled |
| 0 | 1 | Receive path, 16-bit buffer depth |
| 1 | 0 | Transmit path, 16-bit buffer depth |
| 1 | 1 | Transmit path, 32-bit buffer depth |

7. REGISTER DESCRIPTIONS

When the DS325x is configured in either of the two CPU bus modes (HW = 0), the registers shown in [Table 7-A](#) are accessible through the CPU bus interfaces. All registers for the LIU ports are forced to their default values during an internal power-on reset or when the RST pin is driven low. Setting an LIU's RST bit high forces all registers for that LIU to their default values. All register bits marked “—” must be written 0 and ignored when read. The TEST registers must be left at their reset value of 00h for normal operation.

On the DS3253, only registers for LIUs 1, 2, and 3 are available. Writes into LIU 4 address space are ignored. Reads from LIU 4 address space return all zeros. On the DS3252, address line A5 is not present, limiting the address space to the LIU 1 and LIU 2 registers. On the DS3251, address lines A5 and A4 are not present, limiting the address space to the LIU 1 registers.

Table 7-A. Register Map

| ADDRESS | REGISTER | BIT 7 | BIT 6 | BIT 5 | BIT 4 | BIT 3 | BIT 2 | BIT 1 | BIT 0 |
|--------------|-----------------------|---------|---------|------------|-------------|---------|-----------|-------------|-------------|
| LIU 1 | | | | | | | | | |
| 00h | GCR1 | E3M | STS | LLB | RLB | TDSA | TDSB | — | RST |
| 01h | TCR1 | JAL[1] | TBIN | TCINV | TJA | TPD | TTS | TLBO | JAL[0] |
| 02h | RCR1 | ITU | RBIN | RCINV | RJA | RPD | RTS | RMON | RCVUD |
| 03h | SR1 | — | — | <u>TDM</u> | <u>PRBS</u> | — | — | <u>RLOL</u> | <u>RLOS</u> |
| 04h | SRL1 | JAFL | JAEL | TDML | PRBSL | PBERL | RCVL | RLOLL | RLOSL |
| 05h | SRIE1 | JAFIE | JAIEIE | TDMIE | PRBSIE | PBERIE | RCVIE | RLOLIE | RLOSIE |
| 06h | RCVL1 | RCV[7] | RCV[6] | RCV[5] | RCV[4] | RCV[3] | RCV[2] | RCV[1] | RCV[0] |
| 07h | RCVH1 | RCV[15] | RCV[14] | RCV[13] | RCV[12] | RCV[11] | RCV[10] | RCV[9] | RCV[8] |
| 08h | CACR | T3MOE | E3MOE | STMOE | — | — | AMCSEL[1] | AMCSEL[0] | AMCEN |
| 09h–0Fh | Test Registers | — | — | — | — | — | — | — | — |
| LIU 2 | | | | | | | | | |
| 10h | GCR2 | E3M | STS | LLB | RLB | TDSA | TDSB | — | RST |
| 11h | TCR2 | JAL[1] | TBIN | TCINV | TJA | TPD | TTS | TLBO | JAL[0] |
| 12h | RCR2 | ITU | RBIN | RCINV | RJA | RPD | RTS | RMON | RCVUD |
| 13h | SR2 | — | — | <u>TDM</u> | <u>PRBS</u> | — | — | <u>RLOL</u> | <u>RLOS</u> |
| 14h | SRL2 | JAFL | JAEL | TDML | PRBSL | PBERL | RCVL | RLOLL | RLOSL |
| 15h | SRIE2 | JAFIE | JAIEIE | TDMIE | PRBSIE | PBERIE | RCVIE | RLOLIE | RLOSIE |
| 16h | RCVL2 | RCV[7] | RCV[6] | RCV[5] | RCV[4] | RCV[3] | RCV[2] | RCV[1] | RCV[0] |
| 17h | RCVH2 | RCV[15] | RCV[14] | RCV[13] | RCV[12] | RCV[11] | RCV[10] | RCV[9] | RCV[8] |
| 18h | unused | — | — | — | — | — | — | — | — |
| 19h–1Fh | Test Registers | — | — | — | — | — | — | — | — |
| LIU 3 | | | | | | | | | |
| 20h | GCR3 | E3M | STS | LLB | RLB | TDSA | TDSB | — | RST |
| 21h | TCR3 | JAL[1] | TBIN | TCINV | TJA | TPD | TTS | TLBO | JAL[0] |
| 22h | RCR3 | ITU | RBIN | RCINV | RJA | RPD | RTS | RMON | RCVUD |
| 23h | SR3 | — | — | <u>TDM</u> | <u>PRBS</u> | — | — | <u>RLOL</u> | <u>RLOS</u> |
| 24h | SRL3 | JAFL | JAEL | TDML | PRBSL | PBERL | RCVL | RLOLL | RLOSL |
| 25h | SRIE3 | JAFIE | JAIEIE | TDMIE | PRBSIE | PBERIE | RCVIE | RLOLIE | RLOSIE |
| 26h | RCVL3 | RCV[7] | RCV[6] | RCV[5] | RCV[4] | RCV[3] | RCV[2] | RCV[1] | RCV[0] |
| 27h | RCVH3 | RCV[15] | RCV[14] | RCV[13] | RCV[12] | RCV[11] | RCV[10] | RCV[9] | RCV[8] |
| 28h | unused | — | — | — | — | — | — | — | — |
| 29h–2Fh | Test Registers | — | — | — | — | — | — | — | — |
| LIU 4 | | | | | | | | | |
| 30h | GCR4 | E3M | STS | LLB | RLB | TDSA | TDSB | — | RST |
| 31h | TCR4 | JAL[1] | TBIN | TCINV | TJA | TPD | TTS | TLBO | JAL[0] |
| 32h | RCR4 | ITU | RBIN | RCINV | RJA | RPD | RTS | RMON | RCVUD |
| 33h | SR4 | — | — | <u>TDM</u> | <u>PRBS</u> | — | — | <u>RLOL</u> | <u>RLOS</u> |
| 34h | SRL4 | JAFL | JAEL | TDML | PRBSL | PBERL | RCVL | RLOLL | RLOSL |
| 35h | SRIE4 | JAFIE | JAIEIE | TDMIE | PRBSIE | PBERIE | RCVIE | RLOLIE | RLOSIE |
| 36h | RCVL4 | RCV[7] | RCV[6] | RCV[5] | RCV[4] | RCV[3] | RCV[2] | RCV[1] | RCV[0] |
| 37h | RCVH4 | RCV[15] | RCV[14] | RCV[13] | RCV[12] | RCV[11] | RCV[10] | RCV[9] | RCV[8] |
| 38h | unused | — | — | — | — | — | — | — | — |
| 39h–3Fh | Test Registers | — | — | — | — | — | — | — | — |

Note 1: Underlined bits are read-only; all other bits are read-write.

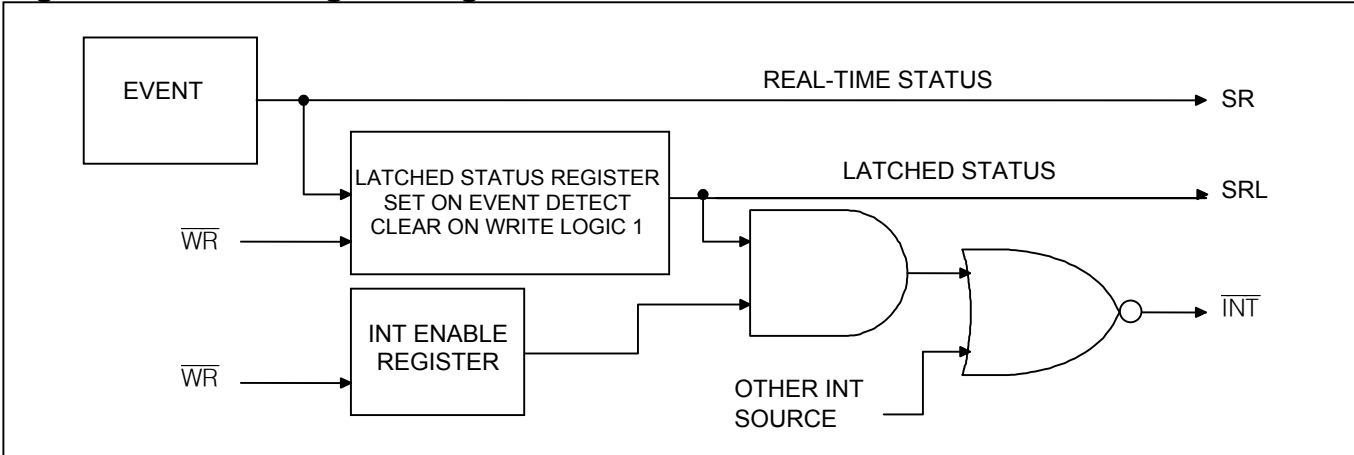
Note 2: The registers are named REGn, where n = the LIU number (1, 2, 3, or 4). The register names are hyperlinks to the register descriptions.

Note 3: The bit names are the same for each LIU register set.

Status Register Description

The status registers have two types of status bits. Real-time status bits—located in the [SR](#) registers—indicate the state of a signal at the time it was read. Latched status bits—located in the [SRL](#) registers—are set when a signal changes state (low-to-high, high-to-low, or both, depending on the bit) and cleared when written with a logic 1 value. After clearing, latched status bits remain cleared until the signal changes state again. Interrupt-enable bits—located in the [SRIE](#) registers—control whether or not the $\overline{\text{INT}}$ pin is driven low when latched register bits are set.

Figure 7-1. Status Register Logic



Register Name: **GCRn**
 Register Description: **Global Configuration Register**
 Register Address: **00h, 10h, 20h, 30h**

| Bit Name | 7 | 6 | 5 | 4 | 3 | 2 | 1 | 0 |
|----------|---|---|---|---|---|---|---|-----|
| E3M | 0 | 0 | 0 | 0 | 0 | 0 | — | RST |
| Default | 0 | 0 | 0 | 0 | 0 | 0 | — | 0 |

Bit 7: E3 Mode Enable (E3M)
 0 = DS3 operation
 1 = E3 or STS-1 operation

Bit 6: STS-1 Mode Enable (STS)
 When E3M = 1,
 0 = E3 operation
 1 = STS-1 operation
 When E3M = 0, STS selects the DS3 AIS pattern ([Table 6-G](#)).

Bits 5, 4: Local Loopback, Remote Loopback Select (LLB, RLB)
 00 = no loopback
 01 = remote loopback
 10 = analog local loopback
 11 = digital local loopback

Bits 3, 2: Transmitter Data Select (TDSA, TDSB). See [Table 6-G](#) for details.

Bit 0: Reset (RST). When this bit is high, the digital logic of the LIU is held in reset and all registers for that LIU (except the RST bit) are forced to their default values. RST is cleared to 0 at power-up and when the $\overline{\text{RST}}$ pin is activated.
 0 = normal operation
 1 = reset LIU

Register Name: **TCRn**
 Register Description: **Transmitter Configuration Register**
 Register Address: **01h, 11h, 21h, 31h**

| Bit | 7 | 6 | 5 | 4 | 3 | 2 | 1 | 0 |
|---------|--------|------|-------|-----|-----|-----|------|--------|
| Name | JAL[1] | TBIN | TCINV | TJA | TPD | TTS | TLBO | JAL[0] |
| Default | 0 | 0 | 0 | 0 | 0 | 1 | 0 | 0 |

Bits 7 and 0: Jitter Attenuator Buffer Length (JAL[1:0])

- 00 = 16 bits
- 01 = 32 bits
- 10 = 64 bits
- 11 = 128 bits

These lengths are the total size of the buffer. The jitter attenuator control logic seeks to keep the read and write pointers half a buffer apart. Therefore typical latency through the jitter attenuator is half the buffer length.

Bit 6: Transmitter Binary Interface Enable (TBIN)

- 0 = Transmitter framer interface is bipolar on the TPOS and TNEG pins. The B3ZS/HDB3 encoder is disabled.
- 1 = Transmitter framer interface is binary on the TDAT pin. The B3ZS/HDB3 encoder is enabled.

Bit 5: Transmitter Clock Invert (TCINV)

- 0 = TPOS/TDAT and TNEG are sampled on the rising edge of TCLK.
- 1 = TPOS/TDAT and TNEG are sampled on the falling edge of TCLK.

Bit 4: Transmitter Jitter Attenuator Enable (TJA)

- 0 = Remove jitter attenuator from the transmitter path.
- 1 = Insert jitter attenuator into the transmitter path.

Bit 3: Transmitter Power-Down Enable (TPD)

- 0 = enable the transmitter
- 1 = power-down the transmitter (output driver tri-stated)

Bit 2: Transmitter Tri-State Enable (TTS). This bit is set to 1 on reset, which tri-states the transmitter TXP and TXN pins. The transmitter circuitry is left powered up in this mode. The \overline{TTS} input pin is inverted and logically ORed with this bit.

- 0 = enable the transmitter output driver
- 1 = tri-state the transmitter output driver

Bit 1: Transmitter Line Build-Out (TLBO). TLBO indicates cable length for waveform shaping in DS3 and STS-1 modes. TLBO is ignored in E3 mode.

- 0 = cable length \geq 225ft
- 1 = cable length $<$ 225ft

Register Name: **RCRn**
 Register Description: **Receiver Configuration Register**
 Register Address: **02h, 12h, 22h, 32h**

| Bit Name | 7 | 6 | 5 | 4 | 3 | 2 | 1 | 0 |
|----------|---|---|---|---|---|---|---|---|
| Default | 0 | 0 | 0 | 0 | 0 | 1 | 0 | 0 |

Bit 7: ITU CV Mode (ITU). This bit controls what types of bipolar violations (BPVs) are flagged as code violations on the RLCV pin and counted in the [RCV](#) register. It also controls whether or not excessive zero (EXZ) events are flagged and counted. An EXZ event is the occurrence of a third consecutive zero (DS3 or STS-1 modes) or fourth consecutive zero (E3 mode) in a sequence of zeros.

- 0 = In all three modes (DS3, E3, and STS-1) BPVs that are not part of a valid codeword are flagged and counted. EXZ events are also flagged and counted.
- 1 = In DS3 and STS-1 modes, BPVs that are not part of valid codewords are flagged and counted. In E3 mode, BPVs that are the same polarity as the last BPV are flagged and counted. EXZ events are not flagged and counted in any mode.

Bit 6: Receiver Binary Interface Enable (RBIN)

- 0 = Receiver framer interface is bipolar on the RPOS and RNEG pins. The B3ZS/HDB3 decoder is disabled.
- 1 = Receiver framer interface is binary on the RDAT pin with the RLCV pin indicating line-code violations. The B3ZS/HDB3 encoder is enabled.

Bit 5: Receiver Clock Invert (RCINV)

- 0 = RPOS/RDAT and RNEG/RLCV are sampled on the falling edge of RCLK.
- 1 = RPOS/RDAT and RNEG/RLCV are sampled on the rising edge of RCLK.

Bit 4: Receiver Jitter Attenuator Enable (RJA). (Note that [ICR:TJA](#) = 1 takes precedence over RJA = 1.)

- 0 = remove jitter attenuator from the receiver path
- 1 = insert jitter attenuator into the receiver path

Bit 3: Receiver Power-Down Enable (RPD)

- 0 = enable the receiver
- 1 = power-down the receiver (RPOS/RDAT, RNEG/RLCV, and RCLK tri-stated)

Bit 2: Receiver Tri-State Enable (RTS). This signal is set to 1 on reset, which tri-states the receiver RPOS/RDAT, RNEG/RLCV, and RCLK pins. The receiver is left powered up in this mode. The $\overline{\text{RTS}}$ pin is inverted and logically ORed with this bit.

- 0 = enable the receiver outputs
- 1 = tri-state the receiver outputs (RPOS/RDAT, RNEG/RLCV, and RCLK)

Bit 1: Receiver Monitor Preamp Enable (RMON)

- 0 = disable the monitor preamp
- 1 = enable the monitor preamp

Bit 0: Receive Code-Violation Counter Update (RCVUD). When this control bit transitions from low to high, the [RCVL](#) and [RCVH](#) registers are loaded with the current code-violation count, and the internal code-violation counter is cleared.

- 0→1 = Update [RCV](#) registers and clear internal code-violation counter

Register Name: **SRn**
 Register Description: **Status Register**
 Register Address: **03h, 13h, 23h, 33h**

| Bit | 7 | 6 | 5 | 4 | 3 | 2 | 1 | 0 |
|---------|---|---|------------|-------------|---|---|-------------|-------------|
| Name | — | — | <u>TDM</u> | <u>PRBS</u> | — | — | <u>RLOL</u> | <u>RLOS</u> |
| Default | — | — | 0 | 0 | — | — | 1 | 1 |

Bit 5: Transmitter Driver Monitor (TDM). This read-only status bit indicates the current state of the transmit driver monitor. See Section [9.6](#) for more information.

0 = the transmitter is operating normally

1 = the transmitter amplitude is out of range

Bit 4: PRBS Detector Output (PRBS). This read-only status bit indicates the current state of the receiver's PRBS detector. See [Table 6-H](#) for the expected PRBS pattern.

0 = in sync with expected pattern

1 = out of sync, expected pattern not detected

Bit 1: Receiver Loss of Lock (RLOL). This read-only status bit indicates the current state of the receiver clock recovery PLL.

0 = the receiver PLL is locked onto the incoming signal

1 = the receiver PLL is not locked onto the incoming signal

Bit 0: Receiver Loss of Signal (RLOS). This read-only status bit indicates the current state of the receiver loss-of-signal detector.

0 = signal present

1 = loss of signal

Register Name: **SRLn**
 Register Description: **Status Register Latched**
 Register Address: **04h, 14h, 24h, 34h**

| Bit | 7 | 6 | 5 | 4 | 3 | 2 | 1 | 0 |
|---------|-------|-------|-------|--------|--------|-------|--------|--------|
| Name | J AFL | J AEL | T DML | P RBSL | P BERL | R CVL | R LOLL | R LOSL |
| Default | 0 | 0 | 0 | 0 | 0 | 0 | 0 | 0 |

Bit 7: Jitter Attenuator Full Latched (JAFL). This latched status bit is set to one when the jitter attenuator buffer is full. JAFL is cleared when the host processor writes a one to it and is not set again until the full condition clears and the buffer becomes full again. When JAFL is set, it can cause a hardware interrupt to occur if the JAFIE interrupt-enable bit in the [SRIE](#) register is set to one. The interrupt is cleared when JAFL is cleared or JAFIE is set to zero.

Bit 6: Jitter Attenuator Empty Latched (JAEL). This latched status bit is set to one when the jitter attenuator buffer is empty. JAEL is cleared when the host processor writes a one to it and is not set again until the empty condition clears and the buffer becomes empty again. When JAEL is set, it can cause a hardware interrupt to occur if the JAEIE interrupt-enable bit in the [SRIE](#) register is set to one. The interrupt is cleared when JAEL is cleared or JAEIE is set to zero.

Bit 5: Transmitter Driver Monitor Latched (TDML). This latched status bit is set to one when the TDM status bit changes state (low to high or high to low). TDML is cleared when the host processor writes a one to it and is not set again until TDM changes state again. When TDML is set, it can cause a hardware interrupt to occur if the TDMIE interrupt-enable bit in the [SRIE](#) register is set to one. The interrupt is cleared when TDML is cleared or TDMIE is set to zero.

Bit 4: PRBS Detector Output Latched (PRBSL). This latched status bit is set to one when the PRBS status bit changes state (low to high or high to low). PRBSL is cleared when the host processor writes a one to it and is not set again until PRBS changes state again. When PRBSL is set, it can cause a hardware interrupt to occur if the PRBSIE interrupt-enable bit in the [SRIE](#) register is set to one. The interrupt is cleared when PRBSL is cleared or PRBSIE is set to zero.

Bit 3: PRBS Detector Bit Error Latched (PBERL). This latched status bit is set to one when the PRBS detector is in sync and a bit error has been detected. PBERL is cleared when the host processor writes a one to it and is not set again until another bit error is detected. When PBERL is set, it can cause a hardware interrupt to occur if the PBERIE interrupt-enable bit in the [SRIE](#) register is set to one. The interrupt is cleared when PBERL is cleared or PBERIE is set to zero.

Bit 2: Receiver Code Violation Latched (RCVL). This latched status bit is set to one when the RCV status bit in the [SR](#) register goes high. RCVL is cleared when the host processor writes a one to it and is not set again until RCV goes high again. When RCVL is set, it can cause a hardware interrupt to occur if the RCVIE interrupt-enable bit in the [SRIE](#) register is set to one. The interrupt is cleared when RCVL is cleared or RCVIE is set to zero.

Bit 1: Receiver Loss-of-Clock Lock Latched (RLOLL). This latched status bit is set to one when the RLOL status bit in the [SR](#) register changes state (low to high or high to low). RLOLL is cleared when the host processor writes a one to it and is not set again until RLOL changes state again. When RLOLL is set, it can cause a hardware interrupt to occur if the RLOLIE interrupt-enable bit in the [SRIE](#) register is set to one. The interrupt is cleared when RLOLL is cleared or RLOLIE is set to zero.

Bit 0: Receiver Loss-of-Signal Latched (RLOSL). This latched status bit is set to one when the RLOS status bit in the [SR](#) register changes state (low to high or high to low). RLOSL is cleared when the host processor writes a one to it and is not set again until RLOS changes state again. When RLOSL is set, it can cause a hardware interrupt to occur if the RLOSIE interrupt-enable bit in the [SRIE](#) register is set to one. The interrupt is cleared when RLOSL is cleared or RLOSIE is set to zero.

Register Name: **SRIEn**
 Register Description: **Status Register Interrupt Enable**
 Register Address: **05h, 15h, 25h, 35h**

| Bit | 7 | 6 | 5 | 4 | 3 | 2 | 1 | 0 |
|---------|-------|-------|-------|--------|--------|-------|--------|--------|
| Name | JAFIE | JAEIE | TDMIE | PRBSIE | PBERIE | RCVIE | RLOLIE | RLOSIE |
| Default | 0 | 0 | 0 | 0 | 0 | 0 | 0 | 0 |

Bit 7: Jitter Attenuator Full Interrupt Enable (JAFIE)

0 = mask JAFI interrupt
 1 = enable JAFI interrupt

Bit 6: Jitter Attenuator Empty Interrupt Enable (JAEIE)

0 = mask JAEL interrupt
 1 = enable JAEL interrupt

Bit 5: Transmitter Driver Monitor Interrupt Enable (TDMIE)

0 = mask TDML interrupt
 1 = enable TDML interrupt

Bit 4: PRBS Detector Interrupt Enable (PRBSIE)

0 = mask PRBSL interrupt
 1 = enable PRBSL interrupt

Bit 3: PRBS Detector Bit-Error Interrupt Enable (PBERIE)

0 = mask PBERL interrupt
 1 = enable PBERL interrupt

Bit 2: Receiver Line-Code Violation Interrupt Enable (RCVIE)

0 = mask RCVL interrupt
 1 = enable RCVL interrupt

Bit 1: Receiver Loss-of-Clock Lock Interrupt Enable (RLOLIE)

0 = mask RLOLL interrupt
 1 = enable RLOLL interrupt

Bit 0: Receiver Loss-of-Signal Interrupt Enable (RLOSIE)

0 = mask RLOSL interrupt
 1 = enable RLOSL interrupt

Register Name: **RCVLn**
 Register Description: **Receiver Code-Violation Count Register (Low Byte)**
 Register Address: **06h, 16h, 26h, 36h**

| Bit | 7 | 6 | 5 | 4 | 3 | 2 | 1 | 0 |
|---------|--------|--------|--------|--------|--------|--------|--------|--------|
| Name | RCV[7] | RCV[6] | RCV[5] | RCV[4] | RCV[3] | RCV[2] | RCV[1] | RCV[0] |
| Default | 0 | 0 | 0 | 0 | 0 | 0 | 0 | 0 |

Bits 7 to 0: Receiver Code-Violation Counter Register (RCV[7:0]). The full 16-bit RCV[15:0] field spans this register and [RCVHn](#). RCV is an unsigned integer that indicates the line-code violation counter value. RCV is updated with the line-code violation counter value when the RCVUD control bit in the [RCR](#) register is toggled low to high. After the RCV register is updated, the line-code violation counter is cleared. The counter operates in two modes, depending on the setting of the ITU bit in the [RCR](#) register. See the [RCR](#) register description for details about the ITU control bit.

Register Name: **RCVHn**
 Register Description: **Receiver Code-Violation Count Register (High Byte)**
 Register Address: **07h, 17h, 27h, 37h**

| Bit | 7 | 6 | 5 | 4 | 3 | 2 | 1 | 0 |
|---------|---------|---------|---------|---------|---------|---------|--------|--------|
| Name | RCV[15] | RCV[14] | RCV[13] | RCV[12] | RCV[11] | RCV[10] | RCV[9] | RCV[8] |
| Default | 0 | 0 | 0 | 0 | 0 | 0 | 0 | 0 |

Bits 7 to 0: Receiver Code-Violation Counter Register (RCV[15:8]). See the [RCVLn](#) register description.

Register Name: **CACR**
 Register Description: **Clock Adapter Control Register**
 Register Address: **08h**

| Bit | 7 | 6 | 5 | 4 | 3 | 2 | 1 | 0 |
|---------|-------|-------|-------|---|---|-----------|-----------|-------|
| Name | T3MOE | E3MOE | STMOE | — | — | AMCSEL[1] | AMCSEL[0] | AMCEN |
| Default | 0 | 0 | 0 | 0 | 0 | 0 | 0 | 0 |

Bit 7: T3MCLK Output Enable (T3MOE). When the clock adapter block is configured to synthesize the DS3 master clock, the DS3 master clock can be output on the T3MCLK pin by setting T3MOE=1. This clock can then be used as the transmit clock for neighboring DS3 framers and other components requiring a DS3 clock. This bit should only be set to 1 if the T3MCLK pin is not driven externally.

- 0 = T3MCLK output driver disabled
- 1 = T3MCLK output driver enabled

Bit 6: E3MCLK Output Enable (E3MOE). When the clock adapter block is configured to synthesize the E3 master clock, the E3 master clock can be output on the E3MCLK pin by setting E3MOE=1. This clock can then be used as the transmit clock for neighboring E3 framers and other components requiring an E3 clock. This bit should only be set to 1 if the E3MCLK pin is not driven externally.

- 0 = E3MCLK output driver disabled
- 1 = E3MCLK output driver enabled

Bit 5: STMCLK Output Enable (STMOE). When the clock adapter block is configured to synthesize the STS-1 master clock, the STS-1 master clock can be output on the of the STMCLK pin by setting STMOE=1. This clock can then be used as the transmit clock for neighboring SONET framers, mappers and other components requiring an STS-1 clock. This bit should only be set to 1 if the STMCLK pin is not driven externally.

- 0 = STMCLK output driver disabled
- 1 = STMCLK output driver enabled

Bits 2 to 1: Alternate Master Clock Select (AMCSEL[1:0]). See Section [12](#) for details.

- 00 = 19.44 MHz
- 01 = 38.88 MHz
- 10 = 77.76 MHz
- 11 = {unused value}

Bit 0: Alternate Master Clock Enable (AMCEN). See Section [12](#) for details.

- 0 = alternate master clock mode disabled
- 1 = alternate master clock mode enabled

8. RECEIVER

8.1 Interfacing to the Line

The receiver can be transformer-coupled or capacitor-coupled to the line. Typically, the receiver interfaces to the incoming coaxial cable (75Ω) through a 1:2 step-up transformer. [Figure 2-1](#) shows the arrangement of the transformer and other recommended interface components. [Table 14-A](#) specifies the required characteristics of the transformer. The receiver expects the incoming signal to be in B3ZS- or HDB3-coded AMI format.

8.2 Optional Preamp

The receiver can be used in monitoring applications, which typically have series resistors with a resistive loss of approximately 20dB. When the RMON input pin is high (hardware mode) or [RCR:RMON=1](#) (CPU bus mode), the receiver compensates for this resistive loss by applying approximately 14dB of flat gain to the incoming signal before sending the signal to the AGC/equalizer block, where additional flat gain is applied as need.

8.3 Automatic Gain Control (AGC) and Adaptive Equalizer

The AGC circuitry applies flat (frequency independent) gain to the incoming signal to compensate for flat losses in the transmission channel and variations in transmission power. Since the incoming signal also experiences frequency-dependent losses as it passes through the coaxial cable, the adaptive equalizer circuitry applies frequency-dependent gain to offset line losses and restore the signal. The AGC/equalizer circuitry automatically adapts to coaxial cable losses from 0 to 15dB, which translates into 0 to 380 meters (DS3), 0 to 440 meters (E3), or 0 to 360 meters (STS-1) of coaxial cable (AT&T 734A or equivalent). The AGC and the equalizer work simultaneously but independently to supply a signal of nominal amplitude and pulse shape to the clock and data recovery block. The AGC/equalizer block automatically handles direct (0 meters) monitoring of the transmitter output signal.

8.4 Clock and Data Recovery (CDR)

The CDR block takes the amplified, equalized signal from the AGC/equalizer block and produces separate clock, positive data, and negative data signals. The CDR operates from the LIU's master clock. See [Section 12](#) for more information about master clocks and clock selection.

The receiver locks onto the incoming signal using a clock recovery PLL. The status of the PLL lock is indicated in the RLOL status bit in the [SR](#) register. The RLOL bit is set when the difference between recovered clock frequency and MCLK frequency is greater than 7900ppm and cleared when the difference is less than 7700ppm. A change of state of the RLOL status bit can cause an interrupt on the $\overline{\text{INT}}$ pin if enabled to do so by the RLOLIE interrupt-enable bit in the [SRIE](#) register. Note that if the master clock is not present, RLOL is not set.

8.5 Loss-of-Signal (LOS) Detector

The receiver contains analog and digital LOS detectors. The analog LOS detector resides in the AGC/equalizer block. If the incoming signal level is less than a signal level approximately 24dB below nominal, analog LOS (ALOS) is declared. The ALOS signal cannot be directly examined, but when ALOS occurs the AGC/equalizer mutes the recovered data, forcing all zeros out of the data recovery circuitry and causing digital LOS (DLOS), which is indicated by the $\overline{\text{RLOS}}$ pin and the RLOS status bit in the [SR](#) register. ALOS clears when the incoming signal level is greater than or equal to a signal level approximately 18 dB below nominal.

The digital LOS detector declares DLOS when it detects 175 ± 75 consecutive zeros in the recovered data stream. When DLOS occurs, the receiver asserts the $\overline{\text{RLOS}}$ pin (hardware mode) or the RLOS status bit (CPU bus mode). DLOS is cleared when there are no EXZ occurrences over a span of 175 ± 75 clock periods. An EXZ occurrence is defined as three or more consecutive zeros in the DS3 and STS-1 modes and four or more consecutive zeros in the E3 mode. The $\overline{\text{RLOS}}$ pin and the RLOS status bit are deasserted when the DLOS condition is cleared. In CPU bus mode, a change of the RLOS status bit can cause an interrupt on the $\overline{\text{INT}}$ pin if enabled to do so by the RLOSIE interrupt-enable bit in the [SRIE](#) register.

The requirements of ANSI T1.231 and ITU-T G.775 for DS3 LOS defects are met by the DLOS detector, which asserts RLOS when it counts 175 ± 75 consecutive zeros coming out of the CDR block and clears RLOS when it counts 175 ± 75 consecutive pulse intervals without excessive zero occurrences.

The requirements of ITU-T G.775 for E3 LOS defects are met by a combination of the ALOS detector and the DLOS detector, as follows:

For E3 RLOS Assertion:

- 1) The ALOS detector in the AGC/equalizer block detects that the incoming signal is less than or equal to a signal level approximately 24 dB below nominal, and mutes the data coming out of the clock and data recovery block. (24 dB below nominal is in the “tolerance range” of G.775, where LOS may or may not be declared.)
- 2) The DLOS detector counts 175 ± 75 consecutive zeros coming out of the CDR block and asserts RLOS. (175 ± 75 meets the $10 \leq N \leq 255$ pulse-interval duration requirement of G.775.)

For E3 RLOS Clear:

- 1) The ALOS detector in the AGC/equalizer block detects that the incoming signal is greater than or equal to a signal level approximately 18dB below nominal, and enables data to come out of the CDR block. (18dB is in the “tolerance range” of G.775, where LOS may or may not be declared.)
- 2) The DLOS detector counts 175 ± 75 consecutive pulse intervals without EXZ occurrences and deasserts RLOS. (175 ± 75 meets the $10 \leq N \leq 255$ pulse-interval duration requirement of G.775.)

The DLOS detector supports the requirements of ANSI T1.231 for STS-1 LOS defects. At STS-1 rates, the time required for the DLOS detector to count 175 ± 75 consecutive zeros falls in the range of $2.3 \leq T \leq 100\mu\text{s}$ required by ANSI T1.231 for declaring an LOS defect. Although the time required for the DLOS detector to count 175 ± 75 consecutive pulse intervals with no excessive zeros is less than the $125\mu\text{s}$ – $250\mu\text{s}$ period required by ANSI T1.231 for clearing an LOS defect, a period of this length where LOS is inactive can easily be timed in software.

During LOS, the RCLK output pin is derived from the LIU’s master clock. The ALOS detector has a longer time constant than the DLOS detector. Thus, when the incoming signal is lost, the DLOS detector activates first (asserting the RLOS pin or bit), followed by the ALOS detector. When a signal is restored, the DLOS detector does not get a valid signal that it can qualify for no EXZ occurrences until the ALOS detector has seen the signal rise above a signal level approximately 18dB below nominal.

8.6 Framing Interface Format and the B3ZS/HDB3 Decoder

The recovered data can be output in either binary or bipolar format. To select the bipolar interface format, pull the RBIN pin low (hardware mode) or clear the RBIN configuration bit in the [RCR](#) register (CPU bus mode). In bipolar format, the B3ZS/HDB3 decoder is disabled and the recovered data is buffered and output on the RPOS and RNEG outputs. Received positive-polarity pulses are indicated by RPOS = 1, while negative-polarity pulses are indicated by RNEG = 1. In bipolar interface format, the receiver simply passes on the received data and does not check it for BPV or EXZ occurrences.

To select the binary interface format, pull the RBIN pin high (hardware mode) or set the RBIN configuration bit in the [RCR](#) register (CPU bus mode). In binary format, the B3ZS/HDB3 decoder is enabled, and the recovered data is decoded and output as a binary value on the RDATA pin. Code violations are flagged on the RLCV pin. In the discussion that follows, a valid pulse that conforms to the AMI rule is denoted as B. A BPV pulse that violates the AMI rule is denoted as V.

In DS3 and STS-1 modes, B3ZS decoding is performed. RLCV is asserted during any RCLK cycle where the data on RDATA causes one of the following code violations:

- Hardware mode or ITU bit set to 0
 - A BPV immediately preceded by a valid pulse (B, V).
 - A BPV with the same polarity as the last BPV.
 - The third zero in an EXZ occurrence.
- ITU bit set to 1
 - A BPV immediately preceded by a valid pulse (B, V).
 - A BPV with the same polarity as the last BPV.

In E3 mode, HDB3 decoding is performed. RLCV is asserted during any RCLK cycle where the data on RDAT causes one of the following code violations:

- Hardware mode or ITU bit set to 0
 - A BPV immediately preceded by a valid pulse (B, V) or by a valid pulse and a zero (B, 0, V).
 - A BPV with the same polarity as the last BPV.
 - The fourth zero in an EXZ occurrence (only in hardware mode or when ITU = 0).
- ITU bit set to 1
 - A BPV with the same polarity as the last BPV.

When RLCV is asserted to flag a BPV, the RDAT pin outputs a one. The state bit that tracks the polarity of the last BPV is toggled on every BPV, whether part of a valid B3ZS/HDB3 codeword or not.

To support a glueless interface to a variety of neighboring components, the polarity of RCLK can be inverted. Normally, data is output on the RPOS/RDAT and RNEG/RLCV pins on the falling edge of RCLK. To output data on these pins on the rising edge of RCLK, pull the RCINV pin high (hardware mode) or set the RCINV configuration bit in the [RCR](#) register (CPU bus mode).

The RCLK, RPOS/RDAT, and RNEG/RLCV pins can be tri-stated to support protection switching and redundant-LIU applications. This tri-stating capability supports system configurations where two or more LIUs are wire-ORed together and a system processor selects one to be active. To tri-state RCLK, RPOS/RDAT, and RNEG/RLCV, assert the $\overline{\text{RTS}}$ pin or the RTS configuration bit in the [RCR](#) register.

8.7 Receive Line-Code Violation Counter

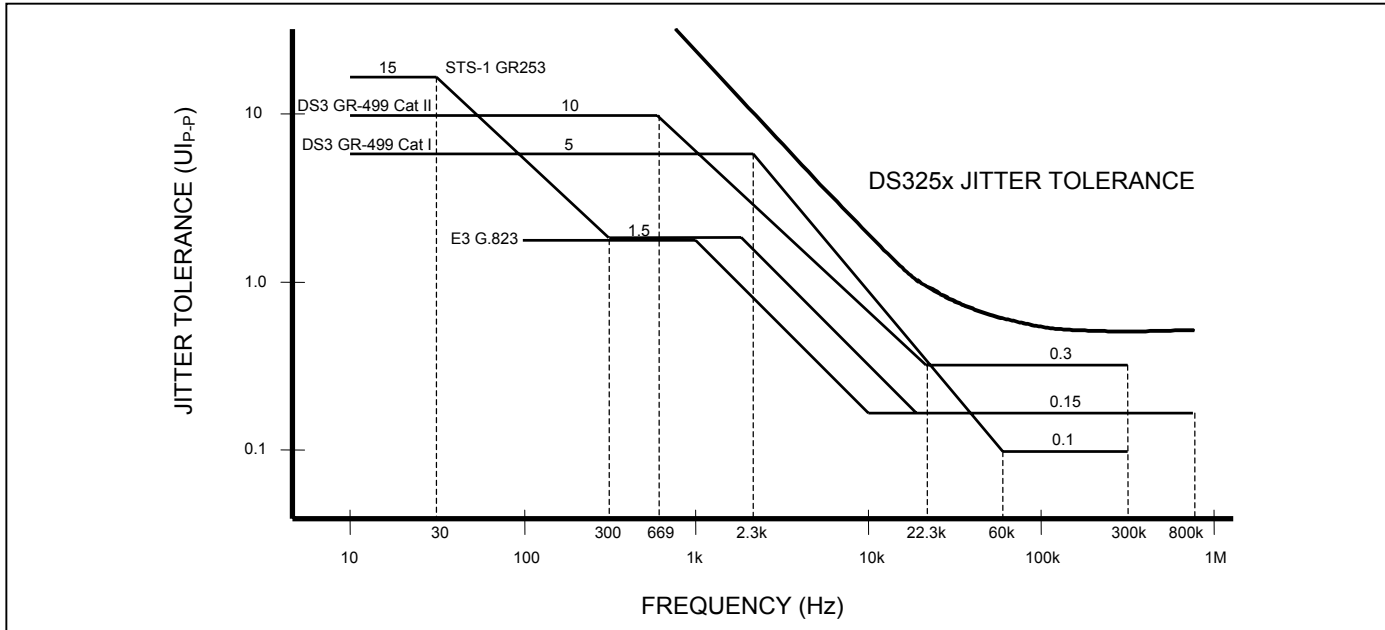
The line-code violation counter is always enabled regardless of the settings of the RBIN pin or the RBIN configuration bit. The receiver has an internal 16-bit saturating counter and a 16-bit latch, which the CPU can read as registers [RCVH](#) and [RCVL](#). The value of the internal counter is latched into the RCVH/RCVL register and cleared when the receive code-violation counter update bit, [RCR:RCVUD](#), is changed from a zero to a one. The RCVUD bit must be cleared back to a zero before a new update can occur. If there is an LCV increment pulse and an update pulse in the same clock period, the counter is preset to a one rather than cleared so that the LCV is not missed. The counter is incremented when the RLCV pin flags a code violation as described in Section [8.6](#). The counter saturates at 65,535 (0FFFFh) and does not roll over.

8.8 Receiver Power-Down

To minimize power consumption when the receiver is not being used, assert the RPD configuration bit in the [RCR](#) register (CPU bus mode). When the receiver is powered down, the RCLK, RPOS/RDAT, and RNEG/RLCV pins are tri-stated. In addition, the RXP and RXN pins become high impedance.

8.9 Receiver Jitter Tolerance

The receiver exceeds the input jitter tolerance requirements of all applicable telecommunication standards in [Table 1-A](#). See [Figure 8-1](#).

Figure 8-1. Receiver Jitter Tolerance

9. TRANSMITTER

9.1 Transmit Clock

The clock applied at the TCLK input clocks in data on the TPOS/TDAT and TNEG pins. If the jitter attenuator is not enabled in the transmit path, the signal on TCLK is the transmit line clock and must be transmission quality (i.e., ± 20 ppm frequency accuracy and low jitter). If the jitter attenuator is enabled in the transmit path, the signal on TCLK can be jittery and/or periodically gapped, but must still have an average frequency within ± 20 ppm of the nominal line rate. When enabled in the transmit path, the jitter attenuator generates the transmit line clock from the appropriate master clock.

The polarity of TCLK can be inverted to support glueless interfacing to a variety of neighboring components. Normally data is sampled on the TPOS/TDAT and TNEG pins on the rising edge of TCLK. To sample data on the falling edge of TCLK, pull the TCINV pin high (hardware mode) or set the TCINV configuration bit in the [TCR](#) register (CPU bus mode).

9.2 Framing Interface Format and the B3ZS/HDB3 Encoder

Data to be transmitted can be input in either binary or bipolar format. To select the binary interface format, pull the TBIN pin high (hardware mode) or set the TBIN configuration bit in the [TCR](#) register (CPU bus mode). In binary format, the B3ZS/HDB3 encoder is enabled, and the data to be transmitted is sampled on the TDAT pin. The TNEG pin is ignored in binary interface mode and should be wired low. In DS3 and STS-1 modes, the B3ZS/HDB3 encoder operates in the B3ZS mode. In E3 mode the encoder operates in HDB3 mode.

To select the bipolar interface format, pull the TBIN pin low (hardware mode) or clear the TBIN configuration bit in the [TCR](#) register (CPU bus mode). In bipolar format, the B3ZS/HDB3 encoder is disabled and the data to be transmitted is sampled on the TPOS and TNEG pins. Positive-polarity pulses are indicated by TPOS = 1, while negative-polarity pulses are indicated by TNEG = 1.

9.3 Pattern Generation

The transmitter can generate several patterns internally, including unframed all ones (E3 AIS), 100100..., and DS3 AIS. See [Figure 9-2](#) for the structure of the DS3 AIS signal. The TDSA and TDSB input pins (hardware mode) or the TDSA and TDSB control bits in the [GCR](#) register (CPU bus mode) are used to select these patterns. [Table 6-G](#) indicates the possible selections.

9.4 Waveshaping, Line Build-Out, Line Driver

The waveshaping block converts the transmit clock, positive data, and negative data signals into a single AMI signal with the waveshape required for interfacing to DS3/E3/STS-1 lines. [Table 9-A](#) through [Table 9-E](#) and [Figure 9-1](#) show the waveform template specifications and test parameters.

Because DS3 and STS-1 signals must meet the waveform templates at the cross-connect through any cable length from 0 to 450ft, the waveshaping circuitry includes a selectable LBO feature. For cable lengths of 225ft or greater, the TLBO pin (hardware mode) or the TLBO configuration bit in the [TCR](#) register (CPU bus mode) should be low. When TLBO is low, output pulses are driven onto the coaxial cable without any preattenuation. For cable lengths less than 225ft, TLBO should be high to enable the LBO circuitry. When TLBO is high, pulses are preattenuated by the LBO circuitry before being driven onto the coaxial cable. The LBO circuitry provides attenuation that mimics the attenuation of 225ft of coaxial cable.

The transmitter line driver can be disabled and the TXP and TXN outputs tri-stated by asserting the $\overline{\text{TTS}}$ input or the TTS configuration bit in the [TCR](#) register. Powering down the transmitter through the TPD configuration bit in the [TCR](#) register (CPU bus mode) also tri-states the TXP and TXN outputs.

9.5 Interfacing to the Line

The transmitter interfaces to the outgoing DS3/E3/STS-1 coaxial cable (75 Ω) through a 2:1 step-down transformer connected to the TXP and TXN pins. [Figure 2-1](#) shows the arrangement of the transformer and other recommended interface components. [Table 14-A](#) specifies the required characteristics of the transformer.

9.6 Transmit Driver Monitor

The transmit driver monitor compares the amplitude of the transmit waveform to thresholds V_{TXMIN} and V_{TXMAX} . If the amplitude is less than V_{TXMIN} or greater than V_{TXMAX} for approximately 32 MCLK cycles, then the monitor activates the $\overline{\text{TDM}}$ output pin (hardware mode or CPU bus mode) or sets the TDM status bit in the [SR](#) register and optionally activates the $\overline{\text{INT}}$ output (CPU bus mode). When the transmitter is tri-stated, the transmit driver monitor is also disabled.

Note that the transmit driver monitor can be affected by reflections caused by shorts and opens on the line. A short at a distance less than a few inches (~11 inches for FR4 material) can introduce inverted reflections that reduce the outgoing pulse amplitude below the V_{TXMIN} threshold and thereby activate the $\overline{\text{TDM}}$ pin and/or TDM status bit. Similarly an open circuit a similar distance away can introduce noninverted reflections that increase the outgoing amplitude above the V_{TXMAX} threshold and thereby activate $\overline{\text{TDM}}$ and/or TDM. Shorts and opens at larger distances away from TXP/TXN can also activate $\overline{\text{TDM}}$ and/or TDM, but this effect is data-pattern dependent.

9.7 Transmitter Power-Down

To minimize power consumption when the transmitter is not being used, assert the TPD configuration bit in the [TCR](#) register (CPU bus mode only). When the transmitter is powered down, the TXP and TXN pins are put in a high-impedance state and the transmit amplifiers are powered down.

9.8 Transmitter Jitter Generation (Intrinsic)

The transmitter meets the jitter generation requirements of all applicable standards, with or without the jitter attenuator enabled.

9.9 Transmitter Jitter Transfer

Without the jitter attenuator enabled in the transmit side, the transmitter passes jitter through unchanged. With the jitter attenuator enabled in the transmit side, the transmitter meets the jitter transfer requirements of all applicable telecommunication standards in [Table 1-A](#). See [Figure 10-1](#).

Table 9-A. DS3 Waveform Template

| TIME (IN UNIT INTERVALS) | NORMALIZED AMPLITUDE EQUATION |
|---------------------------|--|
| UPPER CURVE | |
| $-0.85 \leq T \leq -0.68$ | 0.03 |
| $-0.68 \leq T \leq +0.36$ | $0.5 \{1 + \sin[(\pi / 2)(1 + T / 0.34)]\} + 0.03$ |
| $0.36 \leq T \leq 1.4$ | $0.08 + 0.407e^{-1.84(T - 0.36)}$ |
| LOWER CURVE | |
| $-0.85 \leq T \leq -0.36$ | -0.03 |
| $-0.36 \leq T \leq +0.36$ | $0.5 \{1 + \sin[(\pi / 2)(1 + T / 0.18)]\} - 0.03$ |
| $0.36 \leq T \leq 1.4$ | -0.03 |

Governing Specifications: ANSI T1.102 and Bellcore GR-499.

Table 9-B. DS3 Waveform Test Parameters and Limits

| PARAMETER | SPECIFICATION |
|--|---|
| Rate | 44.736Mbps (± 20 ppm) |
| Line Code | B3ZS |
| Transmission Medium | Coaxial cable (AT&T 734A or equivalent) |
| Test Measurement Point | At the end of 0 to 450ft of coaxial cable |
| Test Termination | 75 Ω ($\pm 1\%$) resistive |
| Pulse Amplitude | Between 0.36V and 0.85V |
| Pulse Shape | An isolated pulse (preceded by two zeros and followed by one or more zeros) falls within the curves listed in Table 9-A . |
| Unframed All-Ones Power Level at 22.368MHz | Between -1.8dBm and +5.7dBm |
| Unframed All-Ones Power Level at 44.736MHz | At least 20dB less than the power measured at 22.368MHz |
| Pulse Imbalance of Isolated Pulses | Ratio of positive and negative pulses must be between 0.90 and 1.10. |

Table 9-C. STS-1 Waveform Template

| TIME (IN UNIT INTERVALS) | NORMALIZED AMPLITUDE EQUATIONS |
|---------------------------|--|
| UPPER CURVE | |
| $-0.85 \leq T \leq -0.68$ | 0.03 |
| $-0.68 \leq T \leq +0.26$ | $0.5 \{1 + \sin[(\pi / 2)(1 + T / 0.34)]\} + 0.03$ |
| $0.26 \leq T \leq 1.4$ | $0.1 + 0.61e^{-2.4(T - 0.26)}$ |
| LOWER CURVE | |
| $-0.85 \leq T \leq -0.36$ | -0.03 |
| $-0.36 \leq T \leq +0.36$ | $0.5 \{1 + \sin[(\pi / 2)(1 + T / 0.18)]\} - 0.03$ |
| $0.36 \leq T \leq 1.4$ | -0.03 |

Governing Specifications: Bellcore GR-253 and Bellcore GR-499 and ANSI T1.102.

Table 9-D. STS-1 Waveform Test Parameters and Limits

| PARAMETER | SPECIFICATION |
|---|---|
| Rate | 51.840Mbps (± 20 ppm) |
| Line Code | B3ZS |
| Transmission Medium | Coaxial cable (AT&T 734A or equivalent) |
| Test Measurement Point | At the end of 0 to 450ft of coaxial cable |
| Test Termination | 75 Ω ($\pm 1\%$) resistive |
| Pulse Amplitude | 0.800V nominal (not covered in specs) |
| Pulse Shape | An isolated pulse (preceded by two zeros and followed by one or more zeros) falls within the curved listed in Table 9-C . |
| Unframed All-Ones Power Level at 25.92MHz | Between -1.8dBm and +5.7dBm |
| Unframed All-Ones Power Level at 51.84MHz | At least 20dB less than the power measured at 25.92MHz. |

Table 9-E. E3 Waveform Test Parameters and Limits

| PARAMETER | SPECIFICATION |
|---|---|
| Rate | 34.368Mbps (± 20 ppm) |
| Line Code | HDB3 |
| Transmission Medium | Coaxial cable (AT&T 734A or equivalent) |
| Test Measurement Point | At the transmitter |
| Test Termination | 75 Ω ($\pm 1\%$) resistive |
| Pulse Amplitude | 1.0V (nominal) |
| Pulse Shape | An isolated pulse (preceded by two zeros and followed by one or more zeros) falls within the template shown in Figure 9-1 . |
| Ratio of the Amplitudes of Positive and Negative Pulses at the Center of the Pulse Interval | 0.95 to 1.05 |
| Ratio of the Widths of Positive and Negative Pulses at the Nominal Half Amplitude | 0.95 to 1.05 |

Figure 9-1. E3 Waveform Template

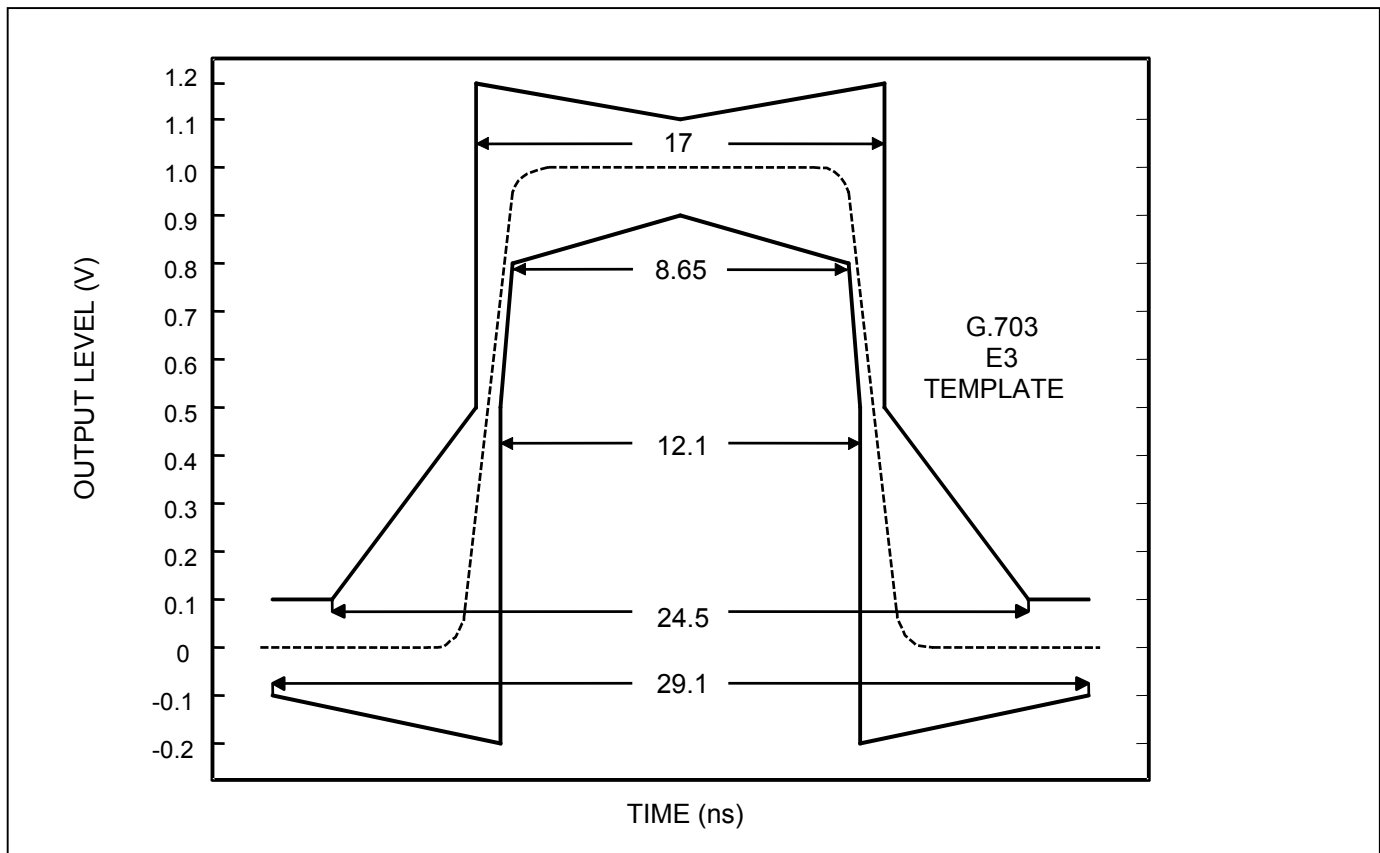


Figure 9-2. DS3 AIS Structure**M1 Subframe**

| | | | | | | | | | | | | | | | |
|-----------|--------------------|-----------|--------------------|-----------|--------------------|-----------|--------------------|-----------|--------------------|-----------|--------------------|-----------|--------------------|-----------|--------------------|
| X1 (1) | 84 Info Bits | F1 (1) | 84 Info Bits | C1 (0) | 84 Info Bits | F2 (0) | 84 Info Bits | C2 (0) | 84 Info Bits | F3 (0) | 84 Info Bits | C3 (0) | 84 Info Bits | F4 (1) | 84 Info Bits |
|-----------|--------------------|-----------|--------------------|-----------|--------------------|-----------|--------------------|-----------|--------------------|-----------|--------------------|-----------|--------------------|-----------|--------------------|

M2 Subframe

| | | | | | | | | | | | | | | | |
|-----------|--------------------|-----------|--------------------|-----------|--------------------|-----------|--------------------|-----------|--------------------|-----------|--------------------|-----------|--------------------|-----------|--------------------|
| X2 (1) | 84 Info Bits | F1 (1) | 84 Info Bits | C1 (0) | 84 Info Bits | F2 (0) | 84 Info Bits | C2 (0) | 84 Info Bits | F3 (0) | 84 Info Bits | C3 (0) | 84 Info Bits | F4 (1) | 84 Info Bits |
|-----------|--------------------|-----------|--------------------|-----------|--------------------|-----------|--------------------|-----------|--------------------|-----------|--------------------|-----------|--------------------|-----------|--------------------|

M3 Subframe

| | | | | | | | | | | | | | | | |
|-----------|--------------------|-----------|--------------------|-----------|--------------------|-----------|--------------------|-----------|--------------------|-----------|--------------------|-----------|--------------------|-----------|--------------------|
| P1 (0) | 84 Info Bits | F1 (1) | 84 Info Bits | C1 (0) | 84 Info Bits | F2 (0) | 84 Info Bits | C2 (0) | 84 Info Bits | F3 (0) | 84 Info Bits | C3 (0) | 84 Info Bits | F4 (1) | 84 Info Bits |
|-----------|--------------------|-----------|--------------------|-----------|--------------------|-----------|--------------------|-----------|--------------------|-----------|--------------------|-----------|--------------------|-----------|--------------------|

M4 Subframe

| | | | | | | | | | | | | | | | |
|-----------|--------------------|-----------|--------------------|-----------|--------------------|-----------|--------------------|-----------|--------------------|-----------|--------------------|-----------|--------------------|-----------|--------------------|
| P2 (0) | 84 Info Bits | F1 (1) | 84 Info Bits | C1 (0) | 84 Info Bits | F2 (0) | 84 Info Bits | C2 (0) | 84 Info Bits | F3 (0) | 84 Info Bits | C3 (0) | 84 Info Bits | F4 (1) | 84 Info Bits |
|-----------|--------------------|-----------|--------------------|-----------|--------------------|-----------|--------------------|-----------|--------------------|-----------|--------------------|-----------|--------------------|-----------|--------------------|

M5 Subframe

| | | | | | | | | | | | | | | | |
|-----------|--------------------|-----------|--------------------|-----------|--------------------|-----------|--------------------|-----------|--------------------|-----------|--------------------|-----------|--------------------|-----------|--------------------|
| M1 (0) | 84 Info Bits | F1 (1) | 84 Info Bits | C1 (0) | 84 Info Bits | F2 (0) | 84 Info Bits | C2 (0) | 84 Info Bits | F3 (0) | 84 Info Bits | C3 (0) | 84 Info Bits | F4 (1) | 84 Info Bits |
|-----------|--------------------|-----------|--------------------|-----------|--------------------|-----------|--------------------|-----------|--------------------|-----------|--------------------|-----------|--------------------|-----------|--------------------|

M6 Subframe

| | | | | | | | | | | | | | | | |
|-----------|--------------------|-----------|--------------------|-----------|--------------------|-----------|--------------------|-----------|--------------------|-----------|--------------------|-----------|--------------------|-----------|--------------------|
| M2 (1) | 84 Info Bits | F1 (1) | 84 Info Bits | C1 (0) | 84 Info Bits | F2 (0) | 84 Info Bits | C2 (0) | 84 Info Bits | F3 (0) | 84 Info Bits | C3 (0) | 84 Info Bits | F4 (1) | 84 Info Bits |
|-----------|--------------------|-----------|--------------------|-----------|--------------------|-----------|--------------------|-----------|--------------------|-----------|--------------------|-----------|--------------------|-----------|--------------------|

M7 Subframe

| | | | | | | | | | | | | | | | |
|-----------|--------------------|-----------|--------------------|-----------|--------------------|-----------|--------------------|-----------|--------------------|-----------|--------------------|-----------|--------------------|-----------|--------------------|
| M3 (0) | 84 Info Bits | F1 (1) | 84 Info Bits | C1 (0) | 84 Info Bits | F2 (0) | 84 Info Bits | C2 (0) | 84 Info Bits | F3 (0) | 84 Info Bits | C3 (0) | 84 Info Bits | F4 (1) | 84 Info Bits |
|-----------|--------------------|-----------|--------------------|-----------|--------------------|-----------|--------------------|-----------|--------------------|-----------|--------------------|-----------|--------------------|-----------|--------------------|

Note 1: X1 is transmitted first.

Note 2: The 84 info bits contain the repetitive sequence 1010..., where the first 1 in the sequence immediately follows each X, P, F, C, or M bit.

10. JITTER ATTENUATOR

Each LIU contains an on-board jitter attenuator that can be placed in the receive path or the transmit path or can be disabled. The TJA and RJA pins (hardware mode) or the [TCR:TJA](#) and [RCR:RJA](#) control bits (CPU bus mode) specify how the jitter attenuator is used. Setting TJA = RJA = 0 disables the jitter attenuator. To use the jitter attenuator in the receive path, set RJA = 1 (with TJA = 0). To use it in the transmit path, set TJA = 1. [Figure 10-1](#) shows the minimum jitter attenuation for the device when the jitter attenuator is enabled. [Figure 10-1](#) also shows the receive jitter transfer when the jitter attenuator is disabled.

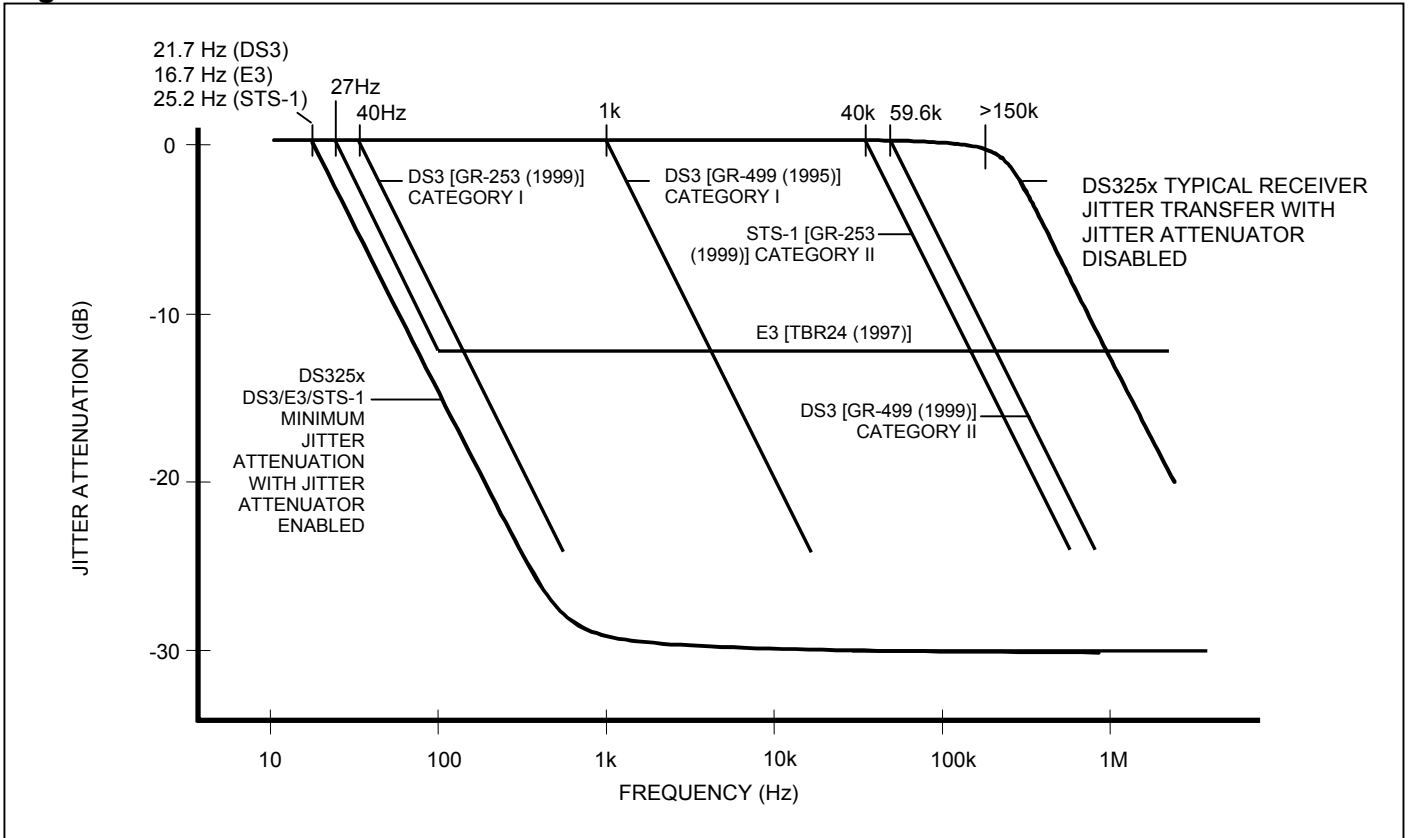
The jitter attenuator consists of a narrowband PLL to retune the selected clock, a FIFO to buffer the associated data while the clock is being retimed, and logic to prevent FIFO over/underflow in the presence of very large jitter amplitudes. In hardware mode, only 16-bit and 32-bit FIFO depths are available. See [Table 6-1](#). In CPU bus mode, control bits [TCR:JAL\[1:0\]](#) set the FIFO depth to 16, 32, 64, or 128 bits.

The jitter attenuator requires a transmission-quality master clock (i.e., ± 20 ppm frequency accuracy and low jitter). When enabled in the receive path, the JA can obtain its master clock from the appropriate MCLK pin, from the clock adapter block, or from the TCLK pin. When enabled in the transmit path, the JA can take its master clock from the MCLK pin or from the clock adapter block, but not from the TCLK pin. The CDR block also uses the selected master clock. See [Section 12](#) for more information about master clocks and clock selection.

The JA has a loop bandwidth of $\text{master_clock} \div 2,058,874$ (see corner frequencies in [Figure 10-1](#)). The JA attenuates jitter at frequencies higher than the loop bandwidth, while allowing jitter (and wander) at lower frequencies to pass through relatively unaffected.

In CPU bus mode the jitter attenuator indicates the fill status of its FIFO buffer in the JAFL (JA full) and JAEL (JA empty) status bits in the [SRL](#) register. The JA sets the JAFL bit to indicate that its buffer is full. When the buffer becomes full, the JA momentarily increases the frequency of the read clock by 6250 ppm to avoid buffer overflow and consequent data loss. In a similar manner, the JA sets the JAEL bit to indicate that its buffer is empty. When the buffer becomes empty, the JA momentarily decreases the frequency of the read clock by 6250 ppm to avoid buffer underflow and consequent data errors. During these momentary frequency adjustments, jitter is passed through the JA to avoid over/underflow. If the phase noise or frequency offset of the write clock is large enough to cause the buffer to overflow or underflow, the JA sets *both* the JAFL bit *and* the JAEL bit to indicate that data errors have occurred.

Figure 10-1. Jitter Attenuation/Jitter Transfer



11. DIAGNOSTICS

11.1 PRBS Generator and Detector

Each LIU has built-in pseudorandom bit sequence (PRBS) generator and detector circuitry for physical layer testing. The device generates and detects unframed $2^{15} - 1$ (DS3 or STS-1) or $2^{23} - 1$ PRBS, according to the ITU O.151 specification. To transmit a PRBS pattern, pull the TDSA and TDSB pins high (hardware mode) or set configuration bits TDSA and TDSB in the [GCR](#) register (CPU bus mode). As [Table 6-G](#) shows, the PRBS generator automatically generates $2^{15} - 1$ for DS3 and STS-1 modes and $2^{23} - 1$ for E3 mode.

The PRBS detector, which is always enabled ([Table 6-H](#)), reports its status through the PRBS output pin (hardware and CPU bus modes) or through the PRBS and PBER status bits (CPU bus mode). When the PRBS detector is out of synchronization, the PRBS pin is forced high. When the detector syncs to an incoming PRBS pattern, the PRBS pin is driven low, then pulses high, synchronous with RCLK, for each bit error detected. See [Figure 11-1](#) and [Figure 11-2](#) for details. In CPU bus mode, the PRBS status bit is set to one when the detector is out of synchronization and set to zero when the detector syncs to an incoming PRBS pattern. A change of state of the PRBS bit sets the PRBSL bit in the [SRL](#) register and can also cause an interrupt on the $\overline{\text{INT}}$ pin if the PRBSIE bit in the [SRIE](#) register is set to one. A pattern bit error sets the PBERL bit in the [SRL](#) register and can also cause an interrupt if the PBERIE bit in the [SRIE](#) register is set to one.

Figure 11-1. PRBS Output with Normal RCLK Operation

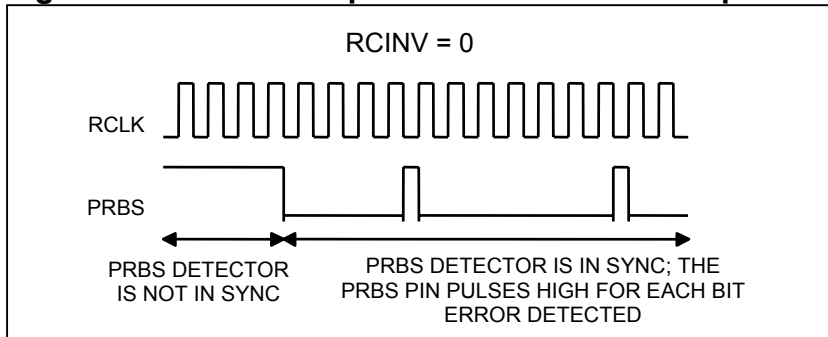
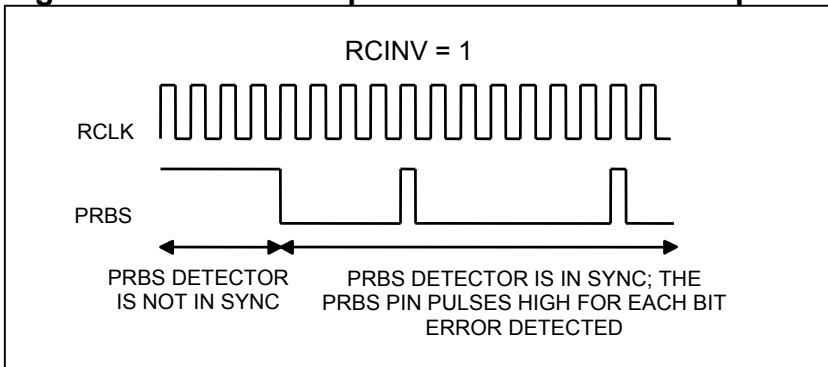


Figure 11-2. PRBS Output with Inverted RCLK Operation



11.2 Loopbacks

Each LIU has three internal loopbacks. See [Figure 4-1](#) and [Figure 4-2](#). The LLB and RLB pins (hardware mode) or LLB and RLB control bits in the [GCR](#) register (CPU bus mode) enable these loopbacks. When LLB = RLB = 0, loopbacks are disabled. Setting RLB = 1 with LLB = 0 enables remote loopback, which loops recovered clock and data back through the LIU transmitter. During remote loopback, recovered clock and data are output on RCLK, RPOS/RDAT, and RNEG/RLCV, but the TPOS/TDAT and TNEG pins are ignored. Setting LLB = 1 with RLB = 0 enables analog local loopback, which loops the outgoing transmit signal back to the receiver's analog front end. Setting LLB = RLB = 1 enables digital local loopback, which loops digital transmit clock and data back to the receiver's digital circuitry, including the LOS detector, the B3ZS/HDB3 decoder, and the PRBS detector. When either of the local loopbacks is enabled, the transmit signal is output normally on TXP/TXN, but the received signal on RXP/RXN is ignored.

12. CLOCK ADAPTER

The clock adapter block generates all required clock rates from a single input clock. If a transmission-quality clock of one line rate (DS3, E3 or STS-1) is present, the clock adapter can synthesize transmission-quality clocks at the other two line rates. Both input clocks and synthesized clocks are then available to be used as master clocks by the CDRs and jitter attenuators. In hardware mode the clock adapter is entirely controlled by the T3MCLK, E3MCLK and STMCLK pins. See the pins descriptions for those pins in [Table 6-A](#).

In CPU bus mode additional clock adapter control options are available in the [CACR](#) register. When control bit AMCEN is set to 1, the clock adapter block is configured for alternate master clock mode. In this mode, the clock adapter expects to receive a clock whose frequency is specified by the AMCSEL[1:0] control bits rather than a DS3, E3 or STS-1 clock. Valid input frequencies are 19.44 MHz, 38.88 MHz and 77.76 MHz. In alternate master clock mode the clock adapter can synthesize up to two clock rates (DS3, E3 or STS-1). To synthesize DS3 and E3 clocks, the alternate master clock should be applied to the STMCLK pin. To synthesize DS3 and STS-1 clocks, the clock should be applied to the E3MCLK pin. To synthesize E3 and STS-1 clocks, the clock should be applied to the T3MCLK pin. The device can be powered up with an alternate clock applied to one of the MCLK pins, even though the power-on default values of AMCEN and AMCSEL[1:0] may not match the applied clock. Once these control bits are properly set after power-up, the clock adapter begins to synthesize the proper master clocks, and the device as a whole functions normally.

CPU bus mode also provides the ability to output synthesized master clocks on the T3MCLK, E3MCLK and STMCLK pins for use by neighboring framers, mappers and other components. To output the synthesized DS3 master clock on T3MCLK, set [CACR:T3MOE](#)=1. To output the synthesized E3 master clock on E3MCLK, set [CACR:E3MOE](#)=1. To output the synthesized STS-1 master clock on STMCLK, set [CACR:STMOE](#)=1.

13. RESET LOGIC

There are four sources for reset: an internal power-on reset (POR) circuit, the reset pin \overline{RST} , the JTAG reset pin \overline{JTRST} , and the RST bit in each LIU's global configuration register ([GCR](#)). The chip is divided into three zones for reset: the digital logic, the analog circuits, and the JTAG logic. The digital logic includes the status and control registers, the B3ZS/HDB3 encoder and decoder, the PRBS generator and detector, and the LOS detect logic. The analog circuits include clock and data recovery, jitter attenuator, and transmit waveform generation. The JTAG logic consists of the common boundary scan controller and the boundary scan cells at each pin.

The POR circuit resets the digital logic, analog circuits, and JTAG logic zones. The \overline{RST} pin resets the digital logic and the analog circuits but not the JTAG logic. The \overline{JTRST} pin resets only the JTAG logic. Each LIU's RST register bit resets the digital logic for that LIU, including resetting the LIU's registers to the default state (except for the RST bit itself).

The POR signal and \overline{RST} pin require an active master clock source for the LIU to properly reset.

14. TRANSFORMERS

Table 14-A. Transformer Characteristics

| PARAMETER | VALUE |
|--------------------------|----------------------------|
| Turns Ratio | 1:2ct \pm 2% |
| Bandwidth 75 Ω | 0.250MHz to 500MHz (typ) |
| Primary Inductance | 19 μ H (min) |
| Leakage Inductance | 0.150 μ H (max) |
| Interwinding Capacitance | 10pF (max) |
| Isolation Voltage | 1500V _{RMS} (min) |

Table 14-B. Recommended Transformers

| MANUFACTURER | NO. OF TRANSFORMERS | PART | TEMP RANGE | PIN-PACKAGE/ SCHEMATIC |
|-------------------|---------------------|-------------|--------------|------------------------|
| Pulse Engineering | 1 | PE-65968 | 0°C to +70°C | 6 SMT LS-1/C |
| | 1 | PE-65969 | 0°C to +70°C | 6 Thru-Hole LC-1/C |
| | 8 | T3049 | 0°C to +70°C | 32 SMT YB/1 |
| Halo Electronics | 1 | TG07-0206NS | 0°C to +70°C | 6 SMT SMD/B |
| | 1 | TD07-0206NE | 0°C to +70°C | 6 DIP DIP/B |

Note: Table subject to change. Industrial temperature range and multiport transformers are also available. Contact the manufacturers for details at www.pulseeng.com and www.haloelectronics.com.

15. CPU INTERFACES

When the HW pin is logic 0 the device is in CPU bus mode. The default CPU interface is 8-bit parallel.

15.1 Parallel Interface

When the device is in CPU bus mode, by default it presents a generic 8-bit parallel microprocessor interface. When the MOT pin is logic 1, the interface is Motorola-style with \overline{CS} , R/\overline{W} , and \overline{DS} control lines. When MOT = 0, the interface is Intel-style with \overline{CS} , \overline{RD} , and \overline{WR} control lines. In both styles, the interface supports both multiplexed and nonmultiplexed operation. For multiplexed operation, wire A[5:0] to D[5:0], wire D[7:0] to the CPU's multiplexed address/data bus, and connect the ALE pin to the appropriate pin on the micro. For nonmultiplexed operation, wire ALE high and wire A[5:0] and D[7:0] to the appropriate pins on the micro. See [Table 17-H](#), [Figure 17-3](#) and [Figure 17-4](#) for parallel interface timing diagrams and parameters.

15.2 SPI Interface

When the MOT, \overline{RD} , and \overline{WR} pins are all low and the ALE pin is high, the device presents an SPI interface on the \overline{CS} , SCLK, SDI, and SDO pins. SPI is a widely-used master/slave bus protocol that allows a master device and one or more slave devices to communicate over a serial bus. The DS325x is always a slave device. Masters are typically microprocessors, ASICs or FPGAs. Data transfers are always initiated by the master device, which also generates the SCLK signal. The DS325x receives serial data on the SDI pin and transmits serial data on the SDO pin. SDO is high-impedance except when the DS325x is transmitting data to the bus master.

Clock Polarity and Phase. The CPOL pin defines the polarity of SCLK. When CPOL = 0, SCLK is normally low and pulses high during bus transactions. When CPOL = 1, SCLK is normally high and pulses low during bus transactions. the CPHA pin sets the phase (active edge) of SCLK. When CPHA = 0, data is latched in on SDI on the leading edge of the SCLK pulse and updated on SDO on the trailing edge. When CPHA = 1, data is latched in on SDI on the trailing edge of the SCLK pulse and updated on SDO on the following leading edge. See [Figure 15-1](#).

Bit Order. The control byte and all data bytes are transmitted MSB first on both SDI and SDO.

Device Selection. Each SPI device has its own chip-select line. To select the DS325x, pull its \overline{CS} pin low.

Control Byte. After \overline{CS} is pulled low, the bus master transmits the control byte during the first eight SCLK cycles. The control byte has the form R/\overline{W} A5 A4 A3 A2 A1 A0 BURST, where A[5:0] is the register address, R/\overline{W} is the data direction bit (1 = read, 0 = write), and BURST is the burst bit (1 = burst access, 0 = single-byte access). In the discussion that follows, a control byte with R/\overline{W} = 1 is a read control byte, while a control byte with R/\overline{W} = 0 is a write control byte.

Single-Byte Writes. See [Figure 15-2](#). After \overline{CS} goes low, the bus master transmits a write control byte with BURST = 0 followed by the data byte to be written. The bus master then terminates the transaction by pulling \overline{CS} high.

Single-Byte Reads. See [Figure 15-2](#). After \overline{CS} goes low, the bus master transmits a read control byte with BURST = 0. The DS325x then responds with the requested data byte. The bus master then terminates the transaction by pulling \overline{CS} high.

Burst Writes. See [Figure 15-2](#). After \overline{CS} goes low, the bus master transmits a write control byte with BURST = 1 followed by the first data byte to be written. The DS325x receives the first data byte on SDI, writes it to the specified register, increments its internal address register, and prepares to receive the next data byte. If the master continues to transmit, the DS325x continues to write the data received and increment its address counter. After the address counter reaches FFh it rolls over to address 00h and continues to increment.

Burst Reads. See [Figure 15-2](#). After \overline{CS} goes low, the bus master transmits a read control byte with BURST = 1. The DS325x then responds with the requested data byte on SDO, increments its address counter, and pre-fetches the next data byte. If the bus master continues to demand data, the DS325x continues to provide the data on SDO, increment its address counter, and pre-fetch the following byte. After the address counter reaches FFh it rolls over to address 00h and continues to increment.

Early Termination of Bus Transactions. The bus master can terminate SPI bus transactions at any time by pulling \overline{CS} high. In response to early terminations, the DS325x resets its SPI interface logic and waits for the start of the next transaction. If a write transaction is terminated prior to the SCLK edge that latches the LSB of a data byte, the current data byte is not written.

Design Option: Wiring SDI and SDO Together. Because communication between the bus master and the DS325x is half-duplex, the SDI and SDO pins can be wired together externally to reduce wire count. To support this option, the bus master must not drive the SDI/SDO line when the DS325x is transmitting.

AC Timing. See [Table 17-1](#) and [Figure 17-5](#) for AC timing specifications for the SPI interface.

Figure 15-1. SPI Clock Polarity and Phase Options

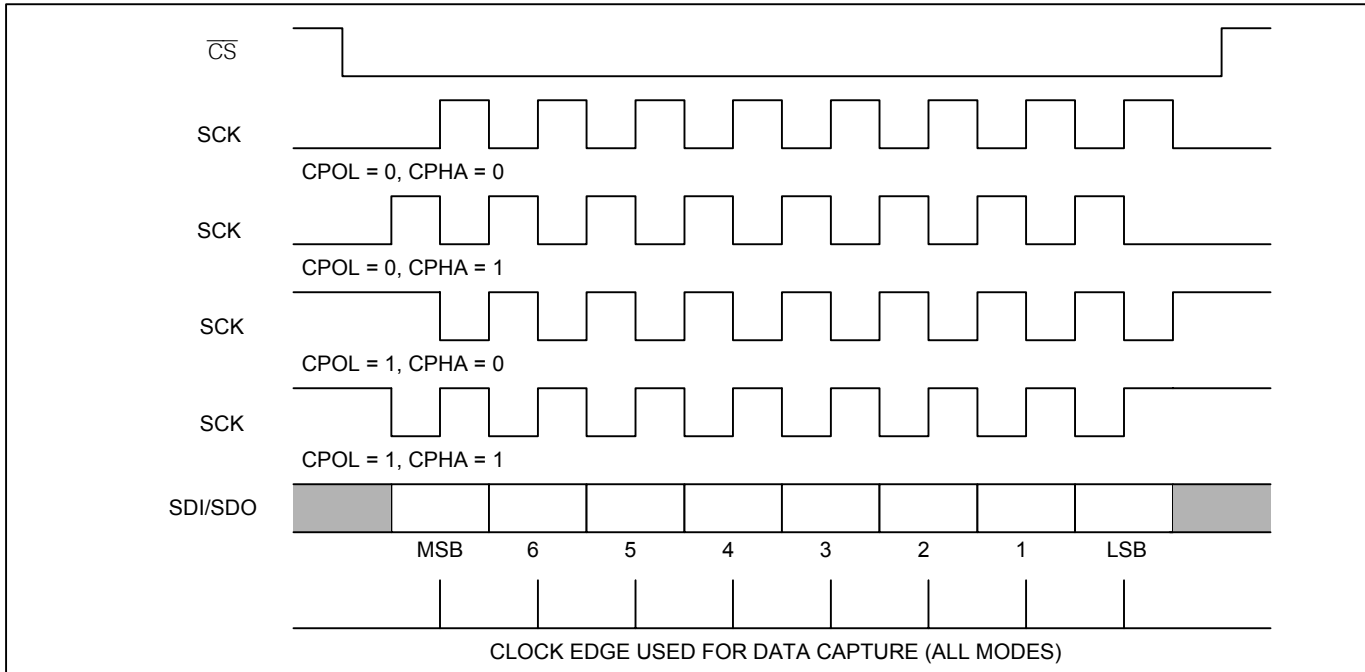
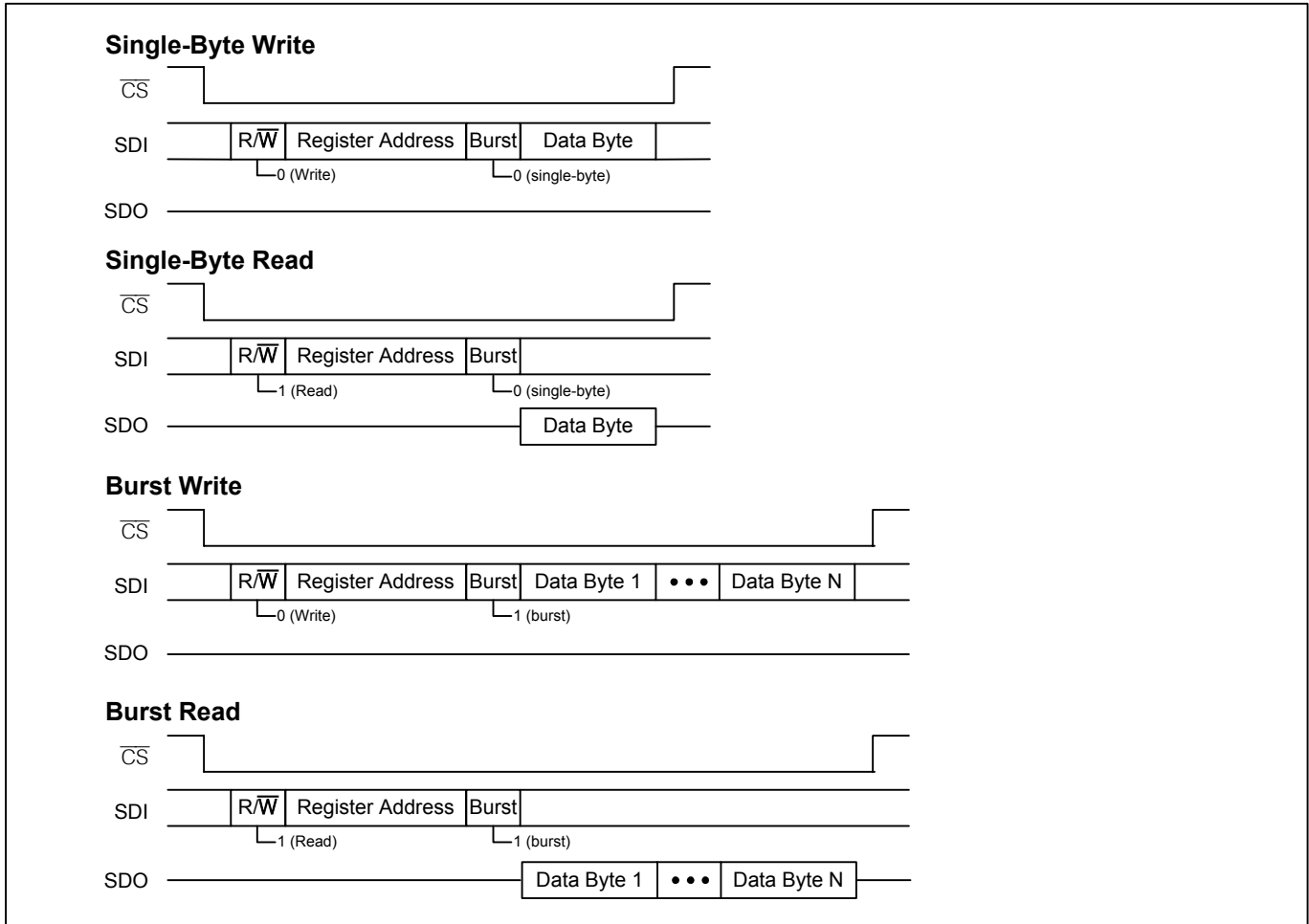


Figure 15-2. SPI Bus Transactions

16. JTAG TEST ACCESS PORT AND BOUNDARY SCAN

16.1 JTAG Description

The DS325x LIUs support the standard instruction codes SAMPLE/PRELOAD, BYPASS, and EXTEST. Optional public instructions included are HIGHZ, CLAMP, and IDCODE. [Figure 16-1](#) features a block diagram. The LIUs contain the following items, which meet the requirements set by the IEEE 1149.1 Standard Test Access Port and Boundary Scan Architecture:

| | |
|------------------------|--------------------------------|
| Test Access Port (TAP) | Bypass Register |
| TAP Controller | Boundary Scan Register |
| Instruction Register | Device Identification Register |

The TAP has the necessary interface pins, namely JTCLK, \overline{JTRST} , JTDI, JTDO, and JTMS. Details on these pins can be found in [Table 6-A](#). Details about the boundary scan architecture and the TAP can be found in IEEE 1149.1-1990, IEEE 1149.1a-1993, and IEEE 1149.1b-1994.

16.2 JTAG TAP Controller State Machine Description

This section discusses the operation of the TAP controller state machine. The TAP controller is a finite state machine that responds to the logic level at JTMS on the rising edge of JTCLK. Each of the states denoted in [Figure 16-2](#) are described in the following pages.

Test-Logic-Reset. Upon device power-up, the TAP controller starts in the Test-Logic-Reset state. The instruction register contains the IDCODE instruction. All system logic on the device operates normally.

Run-Test-Idle. Run-Test-Idle is used between scan operations or during specific tests. The instruction and test registers remain idle.

Select-DR-Scan. All test registers retain their previous state. With JTMS low, a rising edge of JTCLK moves the controller into the Capture-DR state and initiates a scan sequence. JTMS high moves the controller to the Select-IR-SCAN state.

Capture-DR. Data can be parallel loaded into the test data registers selected by the current instruction. If the instruction does not call for a parallel load or the selected register does not allow parallel loads, the test register remains at its current value. On the rising edge of JTCLK, the controller goes to the Shift-DR state if JTMS is low or to the Exit1-DR state if JTMS is high.

Shift-DR. The test data register selected by the current instruction is connected between JTDI and JTDO and shifts data one stage toward its serial output on each rising edge of JTCLK. If a test register selected by the current instruction is not placed in the serial path, it maintains its previous state.

Exit1-DR. While in this state, a rising edge on JTCLK with JTMS high puts the controller in the Update-DR state, which terminates the scanning process. A rising edge on JTCLK with JTMS low puts the controller in the Pause-DR state.

Pause-DR. Shifting of the test registers is halted while in this state. All test registers selected by the current instruction retain their previous state. The controller remains in this state while JTMS is low. A rising edge on JTCLK with JTMS high puts the controller in the Exit2-DR state.

Exit2-DR. While in this state, a rising edge on JTCLK with JTMS high puts the controller in the Update-DR state and terminates the scanning process. A rising edge on JTCLK with JTMS low puts the controller in the Shift-DR state.

Update-DR. A falling edge on JTCLK while in the Update-DR state latches the data from the shift register path of the test registers into the data output latches. This prevents changes at the parallel output because of changes in the shift register. A rising edge on JTCLK with JTMS low puts the controller in the Run-Test-Idle state. With JTMS high, the controller enters the Select-DR-Scan state.

Select-IR-Scan. All test registers retain their previous state. The instruction register remains unchanged during this state. With JTMS low, a rising edge on JTCLK moves the controller into the Capture-IR state and initiates a scan

sequence for the instruction register. JTMS high during a rising edge on JTCLK puts the controller back into the Test-Logic-Reset state.

Capture-IR. The Capture-IR state is used to load the shift register in the instruction register with a fixed value. This value is loaded on the rising edge of JTCLK. If JTMS is high on the rising edge of JTCLK, the controller enters the Exit1-IR state. If JTMS is low on the rising edge of JTCLK, the controller enters the Shift-IR state.

Shift-IR. In this state, the instruction register's shift register is connected between JTDI and JTDO and shifts data one stage for every rising edge of JTCLK toward the serial output. The parallel register and the test registers remain at their previous states. A rising edge on JTCLK with JTMS high moves the controller to the Exit1-IR state. A rising edge on JTCLK with JTMS low keeps the controller in the Shift-IR state, while moving data one stage through the instruction shift register.

Exit1-IR. A rising edge on JTCLK with JTMS low puts the controller in the Pause-IR state. If JTMS is high on the rising edge of JTCLK, the controller enters the Update-IR state and terminates the scanning process.

Pause-IR. Shifting of the instruction register is halted temporarily. With JTMS high, a rising edge on JTCLK puts the controller in the Exit2-IR state. The controller remains in the Pause-IR state if JTMS is low during a rising edge on JTCLK.

Exit2-IR. A rising edge on JTCLK with JTMS high puts the controller in the Update-IR state. The controller loops back to the Shift-IR state if JTMS is low during a rising edge of JTCLK in this state.

Update-IR. The instruction shifted into the instruction shift register is latched into the parallel output on the falling edge of JTCLK as the controller enters this state. Once latched, this instruction becomes the current instruction. A rising edge on JTCLK with JTMS low puts the controller in the Run-Test-Idle state. With JTMS high, the controller enters the Select-DR-Scan state.

Figure 16-1. JTAG Block Diagram

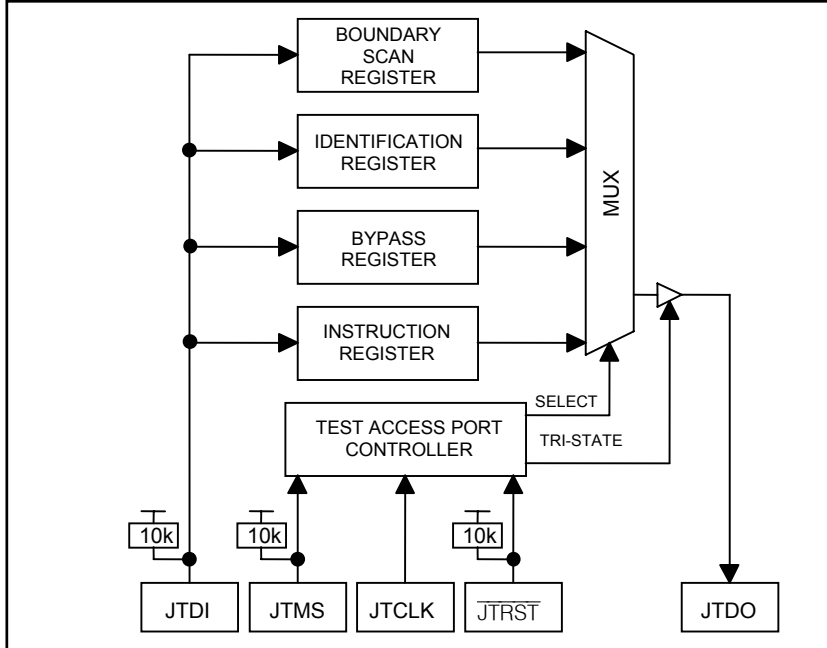
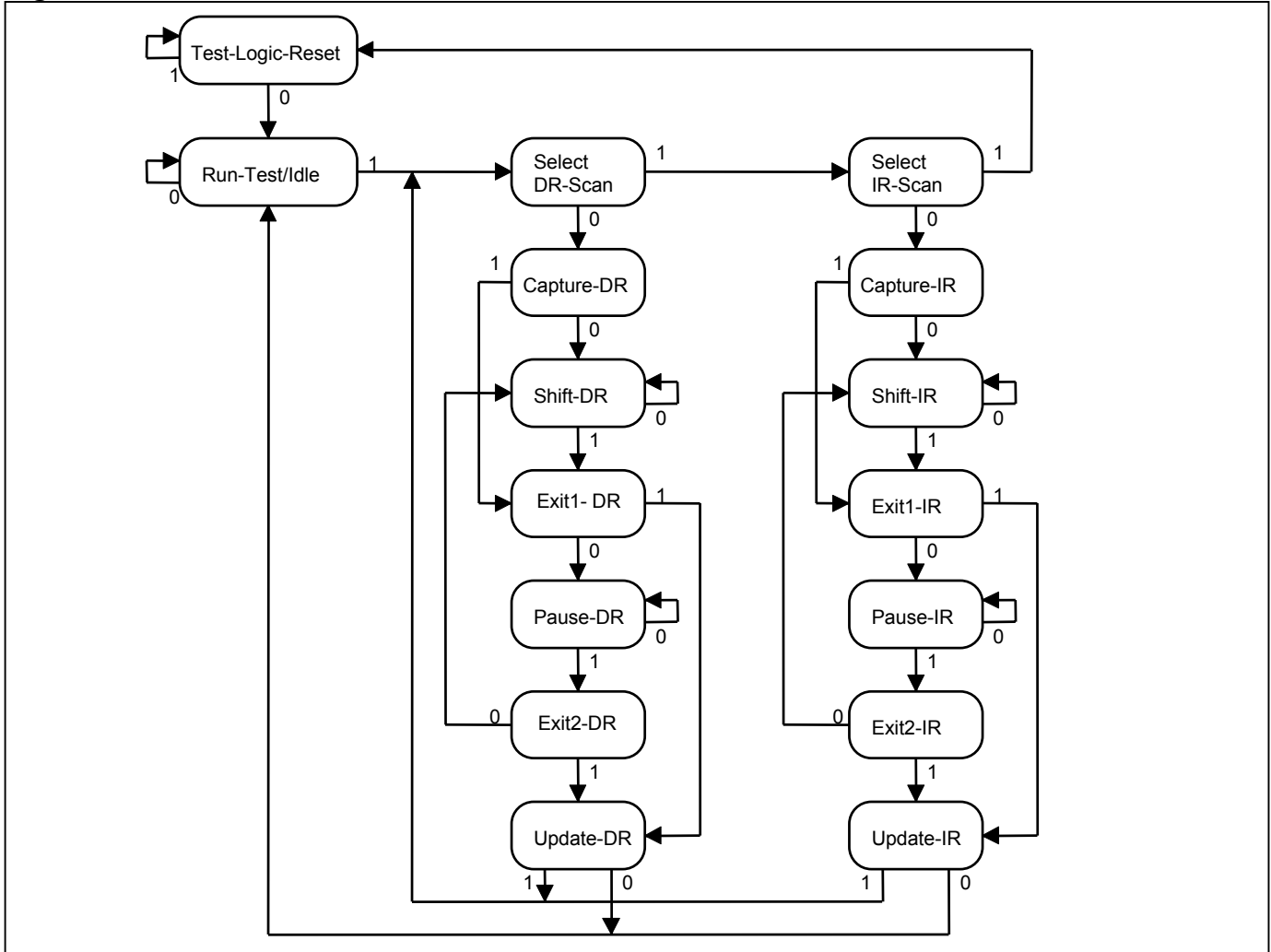


Figure 16-2. JTAG TAP Controller State Machine

16.3 JTAG Instruction Register and Instructions

The instruction register contains a shift register as well as a latched parallel output and is 3 bits in length. When the TAP controller enters the Shift-IR state, the instruction shift register is connected between JTDI and JTDO. While in the Shift-IR state, a rising edge on JTCLK with JTMS low shifts data one stage toward the serial output at JTDO. A rising edge on JTCLK in the Exit1-IR state or the Exit2-IR state with JTMS high moves the controller to the Update-IR state. The falling edge of that same JTCLK latches the data in the instruction shift register to the instruction parallel output. [Table 16-A](#) shows the instructions supported by the DS325x and their respective operational binary codes.

Table 16-A. JTAG Instruction Codes

| INSTRUCTIONS | SELECTED REGISTER | INSTRUCTION CODES |
|----------------|-----------------------|-------------------|
| SAMPLE/PRELOAD | Boundary Scan | 010 |
| BYPASS | Bypass | 111 |
| EXTEST | Boundary Scan | 000 |
| CLAMP | Bypass | 011 |
| HIGHZ | Bypass | 100 |
| IDCODE | Device Identification | 001 |

SAMPLE/PRELOAD. SAMPLE/RELOAD is a mandatory instruction for the IEEE 1149.1 specification. This instruction supports two functions. The digital I/Os of the device can be sampled at the boundary scan register without interfering with the device's normal operation by using the Capture-DR state. SAMPLE/PRELOAD also allows the DS325x to shift data into the boundary scan register through JTDI using the Shift-DR state.

EXTEST. EXTEST allows testing of the interconnections to the device. When the EXTEST instruction is latched in the instruction register, the following actions occur. Once enabled through the Update-IR state, the parallel outputs of the digital output pins are driven. The boundary scan register is connected between JTDI and JTDO. The Capture-DR samples all digital inputs into the boundary scan register.

BYPASS. When the BYPASS instruction is latched into the parallel instruction register, JTDI connects to JTDO through the 1-bit bypass test register. This allows data to pass from JTDI to JTDO without affecting the device's normal operation.

IDCODE. When the IDCODE instruction is latched into the parallel instruction register, the identification test register is selected. The device identification code is loaded into the identification register on the rising edge of JTCLK, following entry into the Capture-DR state. Shift-DR can be used to shift the identification code out serially through JTDO. During Test-Logic-Reset, the identification code is forced into the instruction register's parallel output.

HIGHZ. All digital outputs are placed into a high-impedance state. The bypass register is connected between JTDI and JTDO.

CLAMP. All digital output pins output data from the boundary scan parallel output while connecting the bypass register between JTDI and JTDO. The outputs do not change during the CLAMP instruction.

Table 16-B. JTAG ID Code

| PART | REVISION | DEVICE CODE | MANUFACTURER CODE | REQUIRED |
|--------|-----------------|------------------|-------------------|----------|
| DS3251 | Consult factory | 0000000000101100 | 00010100001 | 1 |
| DS3252 | Consult factory | 0000000000101101 | 00010100001 | 1 |
| DS3253 | Consult factory | 0000000000101110 | 00010100001 | 1 |
| DS3254 | Consult factory | 0000000000101111 | 00010100001 | 1 |

16.4 JTAG Test Registers

IEEE 1149.1 requires a minimum of two test registers—the bypass register and the boundary scan register. An optional test register, the identification register, has been included in the device design. It is used with the IDCODE instruction and the Test-Logic-Reset state of the TAP controller.

Bypass Register. This is a single 1-bit shift register used with the BYPASS, CLAMP, and HIGHZ instructions, which provide a short path between JTDI and JTDO.

Boundary Scan Register. This register contains a shift register path and a latched parallel output for control cells and digital I/O cells. DS325x BSDL files are available at www.maxim-ic.com/TechSupport/telecom/bsdl.htm.

Identification Register. This register contains a 32-bit shift register and a 32-bit latched parallel output. It is selected during the IDCODE instruction and when the TAP controller is in the Test-Logic-Reset state.

17. ELECTRICAL CHARACTERISTICS

ABSOLUTE MAXIMUM RATINGS

| | |
|---|---------------------------------------|
| Voltage Range on Any Lead with Respect to V_{SS} (except V_{DD}) | -0.3V to +5.5V |
| Supply Voltage Range (V_{DD}) with Respect to V_{SS} | -0.3V to +3.63V |
| Ambient Operating Temperature Range | -40°C to +85°C |
| Junction Operating Temperature Range | -40°C to +125°C |
| Storage Temperature Range | -55°C to +125°C |
| Soldering Temperature | See IPC/JEDEC J-STD-020 Specification |

Stresses beyond those listed under "Absolute Maximum Ratings" may cause permanent damage to the device. These are stress ratings only, and functional operation of the device at these or any other conditions beyond those indicated in the operational sections of the specifications is not implied. Exposure to the absolute maximum rating conditions for extended periods may affect device. Ambient operating temperature range when device is mounted on a four-layer JEDEC test board with no airflow.

Note: The typical values listed in Tables 17-A through 17-J are not production tested.

Table 17-A. Recommended DC Operating Conditions

($T_A = -40^\circ\text{C}$ to $+85^\circ\text{C}$)

| PARAMETER | SYMBOL | CONDITIONS | MIN | TYP | MAX | UNITS |
|-------------------------------|----------|------------|-------|-----|-------|-------|
| Supply Voltage | V_{DD} | | 3.135 | 3.3 | 3.465 | V |
| Logic 1, All Other Input Pins | V_{IH} | | 2.0 | | 5.5 | V |
| Logic 0, All Other Input Pins | V_{IL} | | -0.3 | | +0.8 | V |

Table 17-B. DC Characteristics

($V_{DD} = 3.3\text{V} \pm 5\%$, $T_A = -40^\circ\text{C}$ to $+85^\circ\text{C}$.)

| PARAMETER | SYMBOL | CONDITIONS | MIN | TYP | MAX | UNITS |
|---|-------------|-----------------|-----|-----|----------|---------------|
| Supply Current (Note 1) | I_{DD} | DS3251 | | 80 | 120 | mA |
| | | DS3252 | | 150 | 200 | |
| | | DS3253 | | 220 | 280 | |
| | | DS3254 | | 290 | 360 | |
| Supply Current, Transmitters Tri-Stated (All TTSn Low) (Note 2) | I_{DDTTS} | DS3251 | | 60 | 100 | mA |
| | | DS3252 | | 110 | 160 | |
| | | DS3253 | | 160 | 220 | |
| | | DS3254 | | 210 | 280 | |
| Power-Down Current (All TPD, RPD Control Bits High) | I_{DDPD} | DS325x (Note 2) | | 35 | 50 | mA |
| Lead Capacitance | C_{IO} | | | 7 | 10 | pF |
| Input Leakage, All Other Input Pins | I_{IL} | (Note 3) | -50 | | +10 | μA |
| Output Leakage (when High-Z) | I_{LO} | (Note 3) | -10 | | +10 | μA |
| Output Voltage ($I_O = -4.0\text{mA}$) | V_{OH} | | 2.4 | | V_{DD} | V |
| Output Voltage ($I_O = +4.0\text{mA}$) | V_{OL} | | 0 | | 0.4 | V |

Note 1: $TCLK_n = STMCLK = 51.84\text{MHz}$; TXP_n/TXN_n driving all ones into 75Ω resistive loads; analog loopback enabled; all other inputs at V_{DD} or grounded; all other outputs open.

Note 2: $TCLK_n = STMCLK = 51.84\text{MHz}$; other inputs at V_{DD} or grounded; digital outputs left open circuited.

Note 3: $0\text{V} < V_{IN} < V_{DD}$ for all other digital inputs.

Table 17-C. Framer Interface Timing(V_{DD} = 3.3V ±5%, T_A = -40°C to +85°C.) (Figure 17-1 and Figure 17-2)

| PARAMETER | SYMBOL | CONDITIONS | MIN | TYP | MAX | UNITS |
|---|--------------|-----------------|-----|------|-----|-------|
| RCLK/TCLK Clock Period | t1 | (Note 1) | | 22.4 | | ns |
| | | (Note 2) | | 29.1 | | |
| | | (Note 3) | | 19.3 | | |
| RCLK Duty Cycle | t2/t1, t3/t1 | (Notes 4, 5) | 45 | 50 | 55 | % |
| TCLK Duty Cycle | t2/t1, t3/t1 | (Note 5) | 30 | | 70 | % |
| MCLK Duty Cycle | t2/t1, t3/t1 | (Note 5) | 30 | | 70 | % |
| TPOS/TDAT, TNEG to TCLK Setup Time | t4 | (Notes 5, 6) | 2 | | | ns |
| TPOS/TDAT, TNEG Hold Time | t5 | (Notes 5, 6) | 2 | | | ns |
| RCLK to RPOS/RDAT, RNEG/RLCV, and PRBS Value Change | t6 | (Notes 4, 5, 7) | 2 | | 6 | ns |
| RCLK Rise and Fall Time | t7 | (Notes 5, 8) | | 3 | 5 | ns |
| TCLK Rise and Fall Time | t8 | (Notes 5, 9) | | | 5 | ns |

Note 1: DS3 mode.**Note 2:** E3 mode.**Note 3:** STS-1 mode.**Note 4:** Outputs loaded with 25pF, measured at 50% threshold.**Note 5:** Not tested during production test.**Note 6:** When TCINV = 0, TPOS/TDAT and TNEG are sampled on the rising edge of TCLK. When TCINV = 1, TPOS/TDAT and TNEG are sampled on the falling edge of TCLK.**Note 7:** When RCINV = 0, RPOS/RDAT and RNEG/RLCV are updated on the falling edge of RCLK. When RCINV = 1, RPOS/RDAT and RNEG/RLCV are updated on the rising edge of RCLK.**Note 8:** Outputs loaded with 25pF, measured between V_{OL} (max) and V_{OH} (min).**Note 9:** Measured between V_{IL} (max) and V_{IH} (min).

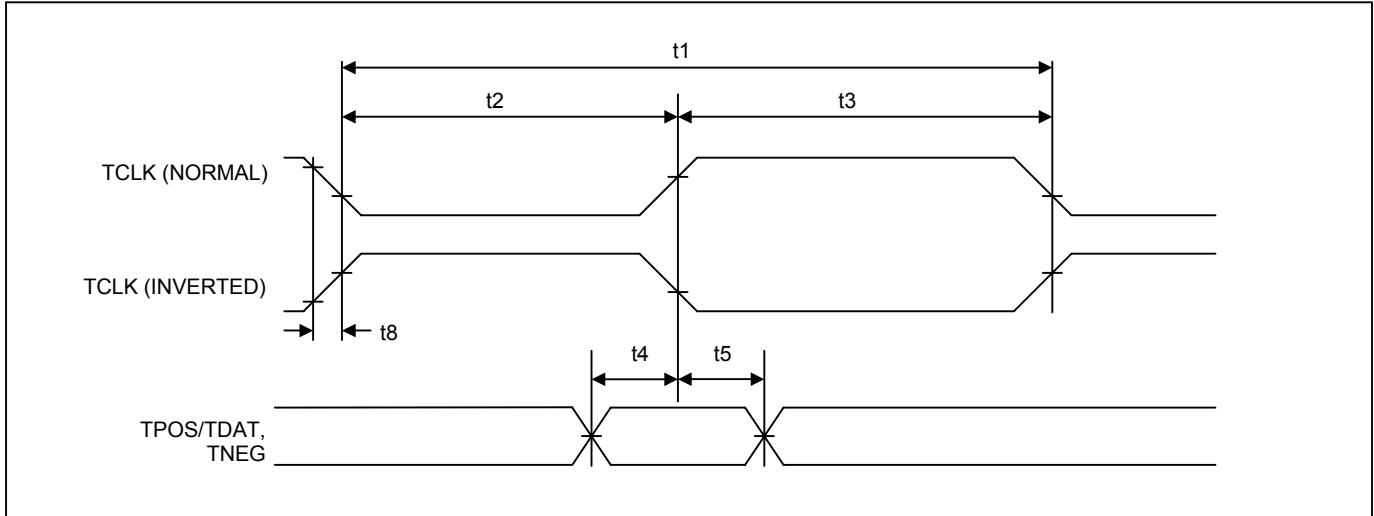
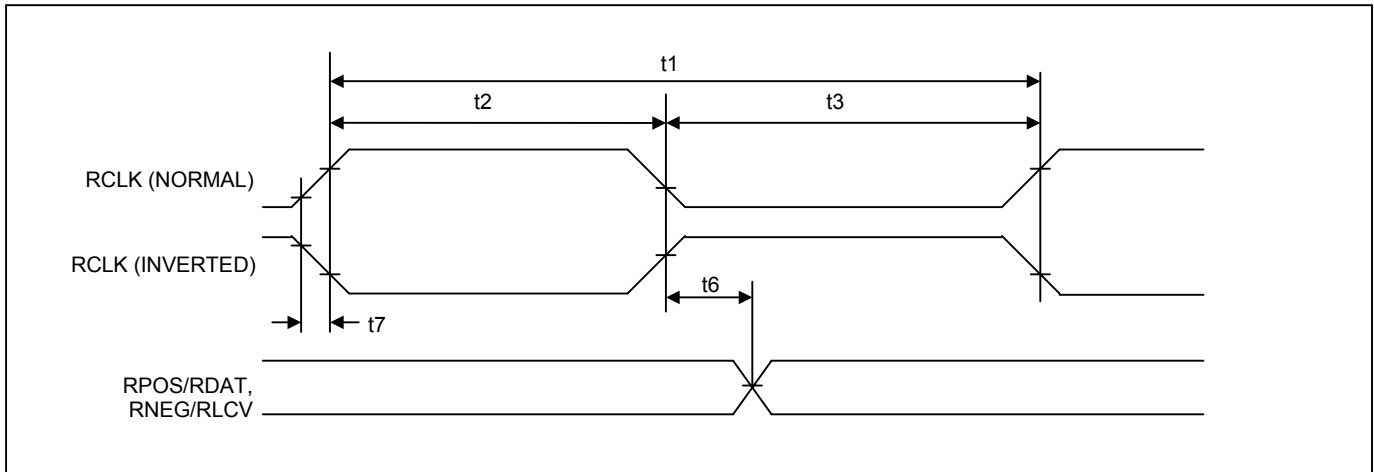
Figure 17-1. Transmitter Framer Interface Timing Diagram**Figure 17-2. Receiver Framer Interface Timing Diagram**

Table 17-D. Receiver Input Characteristics—DS3 and STS-1 Modes(V_{DD} = 3.3V ±5%, T_A = -40°C to +85°C.)

| PARAMETER | MIN | TYP | MAX | UNITS |
|---|-----|------|------|-------------------|
| Receive Sensitivity (Length of Cable) | 900 | 1200 | | ft |
| Signal-to-Noise Ratio, Interfering Signal Test (Notes 1, 2) | | 10 | | |
| Input Pulse Amplitude, RMON = 0 (Notes 2, 3) | | | 1000 | mVpk |
| Input Pulse Amplitude, RMON = 1 (Note 2, 3) | | | 200 | mVpk |
| Analog LOS Declare, RMON = 0 (Note 4) | | -24 | | dB |
| Analog LOS Clear, RMON = 0 (Note 4) | | -21 | | dB |
| Analog LOS Declare, RMON = 1 (Note 4) | | -38 | | dB |
| Analog LOS Clear, RMON = 1 (Note 4) | | -35 | | dB |
| Intrinsic Jitter Generation (Note 2) | | 0.03 | | UI _{P,P} |

- Note 1:** An interfering signal ($2^{15} - 1$ PRBS, B3ZS encoded, compliant waveshape, nominal bit rate) is added to the input signal. The combined signal is passed through 0 to 900 feet of coaxial cable and presented to the DS325x receiver. This spec indicates the lowest signal-to-noise ratio that results in a bit error ratio $\leq 10^{-9}$.
- Note 2:** Not tested during production test.
- Note 3:** Measured on the line side (i.e., the BNC connector side) of the 1:2 receive transformer (Figure 2-1). During measurement, incoming data traffic is unframed $2^{15} - 1$ PRBS.
- Note 4:** With respect to nominal 800mVpk signal.

Table 17-E. Receiver Input Characteristics—E3 Mode(V_{DD} = 3.3V ±5%, T_A = -40°C to +85°C.)

| PARAMETER | MIN | TYP | MAX | UNITS |
|---|-----|------|------|-------------------|
| Receive Sensitivity (Length of Cable) | 900 | 1200 | | ft |
| Signal-to-Noise Ratio, Interfering Signal Test (Notes 1, 2) | | 12 | | |
| Input Pulse Amplitude, RMON = 0 (Notes 2, 3) | | | 1300 | mVpk |
| Input Pulse Amplitude, RMON = 1 (Notes 2, 3) | | | 260 | mVpk |
| Analog LOS Declare, RMON = 0 (Note 4) | | -24 | | dB |
| Analog LOS Clear, RMON = 0 (Note 4) | | -21 | | dB |
| Analog LOS Declare, RMON = 1 (Note 4) | | -38 | | dB |
| Analog LOS Clear, RMON = 1 (Note 4) | | -35 | | dB |
| Intrinsic Jitter Generation (Note 2) | | 0.03 | | UI _{P,P} |

- Note 1:** An interfering signal ($2^{23} - 1$ PRBS, HDB3 encoded, compliant waveshape, nominal bit rate) is added to the input signal. The combined signal is passed through 0 to 900 feet of coaxial cable and presented to the DS325x receiver. This spec indicates the lowest signal-to-noise ratio that results in a bit error ratio $\leq 10^{-9}$.
- Note 2:** Not tested during production test.
- Note 3:** Measured on the line side (i.e., the BNC connector side) of the 1:2 receive transformer (Figure 2-1). During measurement, incoming data traffic is unframed $2^{23} - 1$ PRBS.
- Note 4:** With respect to nominal 1000mVpk signal.

Table 17-F. Transmitter Output Characteristics—DS3 and STS-1 Modes(V_{DD} = 3.3V ±5%, T_A = -40°C to +85°C.)

| PARAMETER | MIN | TYP | MAX | UNITS |
|---|------|------|------|-------------------|
| DS3 Output Pulse Amplitude, TLBO = 0 (Note 1) | 700 | 800 | 900 | mVpk |
| DS3 Output Pulse Amplitude, TLBO = 1 (Note 1) | 520 | 700 | 800 | mVpk |
| STS-1 Output Pulse Amplitude, TLBO = 0 (Note 1) | 700 | 800 | 1100 | mVpk |
| STS-1 Output Pulse Amplitude, TLBO = 1 (Note 1) | 520 | 700 | 850 | mVpk |
| Ratio of Positive and Negative Pulse-Peak Amplitudes | 0.9 | | 1.1 | |
| DS3 Power Level at 22.368MHz (Note 2) | -1.8 | | +5.7 | dBm |
| DS3 Power Level at 44.736MHz vs. Power Level at 22.368MHz (Note 2) | | | -20 | dB |
| Intrinsic Jitter Generation (Note 3) | | 0.02 | 0.05 | UI _{P-P} |
| Transmit Driver Monitor Minimum Threshold (V _{TXMIN}), TLBO = 0 | | 550 | | mVpk |
| Transmit Driver Monitor Minimum Threshold (V _{TXMIN}), TLBO = 1 | | 500 | | mVpk |
| Transmit Driver Monitor Maximum Threshold (V _{TXMAX}), TLBO = 0 | | 1050 | | mVpk |
| Transmit Driver Monitor Maximum Threshold (V _{TXMAX}), TLBO = 1 | | 800 | | mVpk |

Note 1: Measured on the line side (i.e., the BNC connector side) of the 2:1 transmit transformer (Figure 2-1).**Note 2:** Unframed all ones output signal, 3 kHz bandwidth, cable length 225 feet to 450 feet.**Note 3:** Measured with jitter-free clock applied to TCLK and a bandpass jitter filter with 10Hz and 800kHz cutoff frequencies. Not tested during production test.**Table 17-G. Transmitter Output Characteristics—E3 Mode**(V_{DD} = 3.3V ±5%, T_A = -40°C to +85°C.)

| PARAMETER | MIN | TYP | MAX | UNITS |
|---|------|-------|------|-------------------|
| Output Pulse Amplitude (Note 1) | 900 | 1000 | 1100 | mVpk |
| Pulse Width | | 14.55 | | ns |
| Ratio of Positive and Negative Pulse Amplitudes (at Centers of Pulses) | 0.95 | | 1.05 | |
| Ratio of Positive and Negative Pulse Widths (at Nominal Half Amplitude) | 0.95 | | 1.05 | |
| Intrinsic Jitter Generation (Note 2) | | 0.02 | 0.05 | UI _{P-P} |
| Transmit Driver Monitor Minimum Threshold (V _{TXMIN}) | | 750 | | mVpk |
| Transmit Driver Monitor Maximum Threshold (V _{TXMAX}) | | 1250 | | mVpk |

Note 1: Measured on the line side (i.e., the BNC connector side) of the 2:1 transmit transformer (Figure 2-1).**Note 2:** Measured with jitter-free clock applied to TCLK and a bandpass jitter filter with 10Hz and 800kHz cutoff frequencies. Not tested during production test.

Table 17-H. Parallel CPU Interface Timing(V_{DD} = 3.3V ±5%, T_A = -40°C to +85°C.) (Figure 17-3 and Figure 17-4)

| PARAMETER | SYMBOL | MIN | TYP | MAX | UNITS |
|---|--------|-----|-----|-----|-------|
| Setup Time for A[5:0] Valid to \overline{CS} Active (Notes 1, 2) | t1 | 0 | | | ns |
| Setup Time for \overline{CS} Active to \overline{RD} , \overline{WR} , or \overline{DS} Active | t2 | 0 | | | ns |
| Delay Time from \overline{RD} or \overline{DS} Active to D[7:0] Valid | t3 | | | 65 | ns |
| Hold Time from \overline{RD} or \overline{WR} or \overline{DS} Inactive to \overline{CS} Inactive | t4 | 0 | | | ns |
| Delay from \overline{CS} or \overline{RD} or \overline{DS} Inactive to D[7:0] Invalid or Tri-State (Note 3) | t5 | 2 | | 20 | ns |
| Wait Time from \overline{WR} or \overline{DS} Active to Latch D[7:0] | t6 | 65 | | | ns |
| D[7:0] Setup Time to \overline{WR} or \overline{DS} Inactive | t7 | 10 | | | ns |
| D[7:0] Hold Time from \overline{WR} or \overline{DS} Inactive | t8 | 2 | | | ns |
| A[5:0] Hold Time from \overline{WR} or \overline{RD} or \overline{DS} Inactive | t9 | 5 | | | ns |
| \overline{RD} , \overline{WR} , or \overline{DS} Inactive Time | t10 | 75 | | | ns |
| Muxed Address Valid to ALE Falling (Note 4) | t11 | 10 | | | ns |
| Muxed Address Hold Time (Note 4) | t12 | 10 | | | ns |
| ALE Pulse Width (Note 4) | t13 | 30 | | | ns |
| Setup Time for ALE High or Muxed Address Valid to \overline{CS} Active (Note 4) | t14 | 0 | | | ns |

Note 1: D[7:0] loaded with 50pF when tested as outputs.

Note 2: If a gapped clock is applied on TCLK and local loopback is enabled, read cycle time must be extended by the length of the largest TCLK gap.

Note 3: Not tested during production test.

Note 4: In nonmultiplexed bus applications (Figure 17-3), ALE should be wired high. In multiplexed bus applications (Figure 17-4), A[5:0] should be wired to D[5:0] and the falling edge of ALE latches the address.

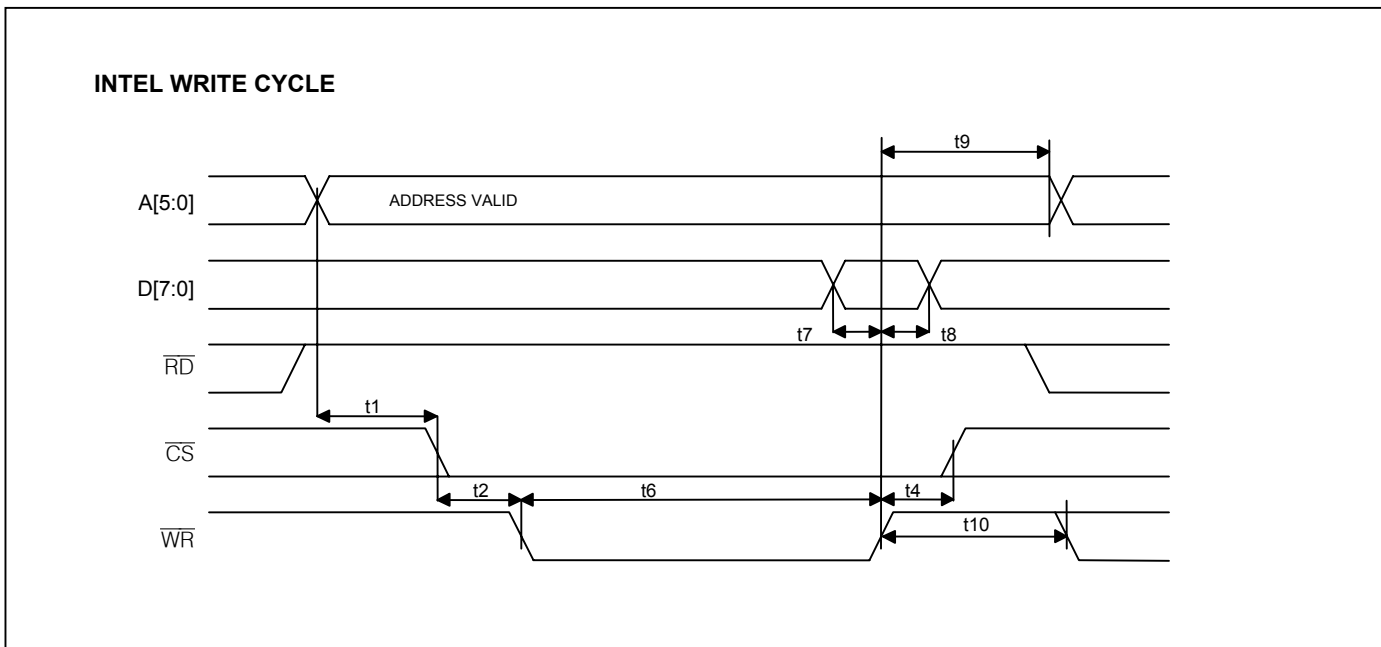
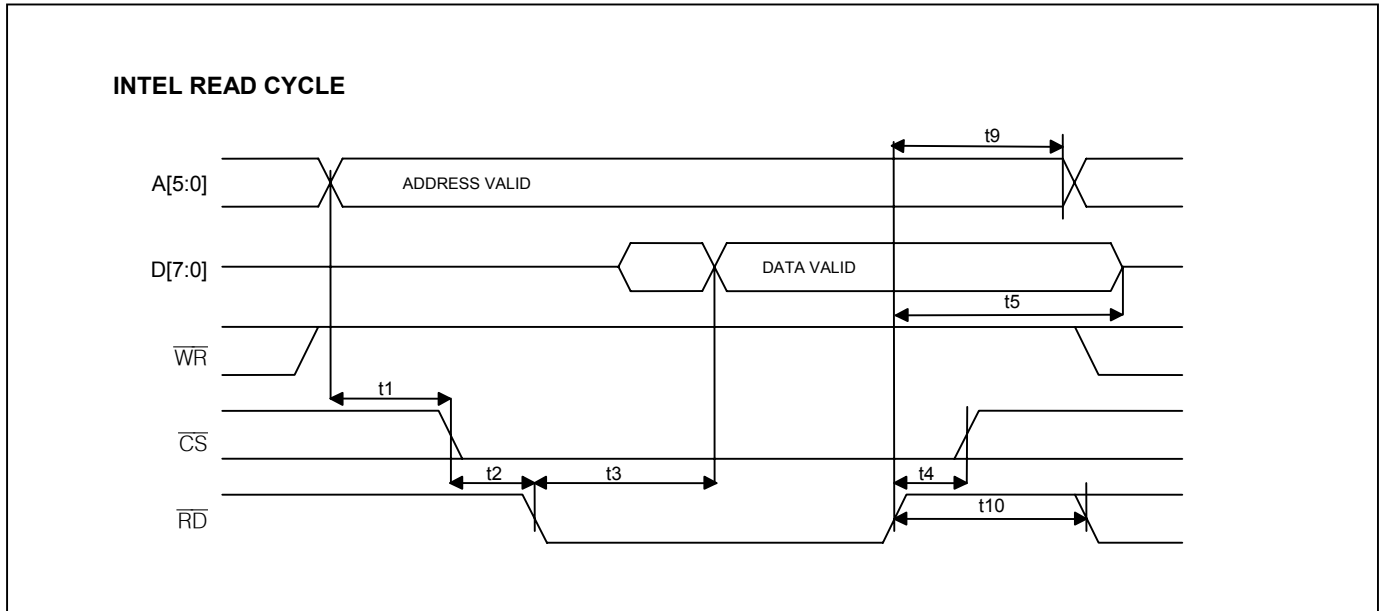
Figure 17-3. Parallel CPU Interface Timing Diagram (Nonmultiplexed)

Figure 17-3. Parallel CPU Interface Timing Diagram (Nonmultiplexed)(continued)

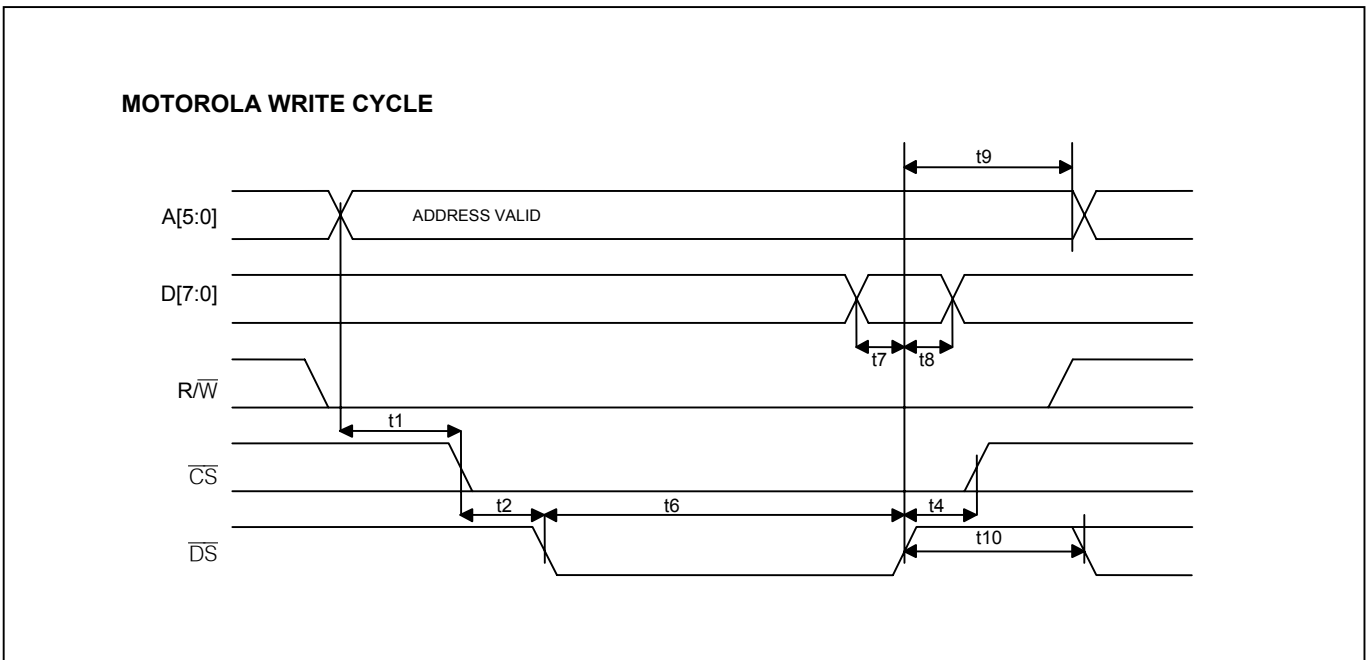
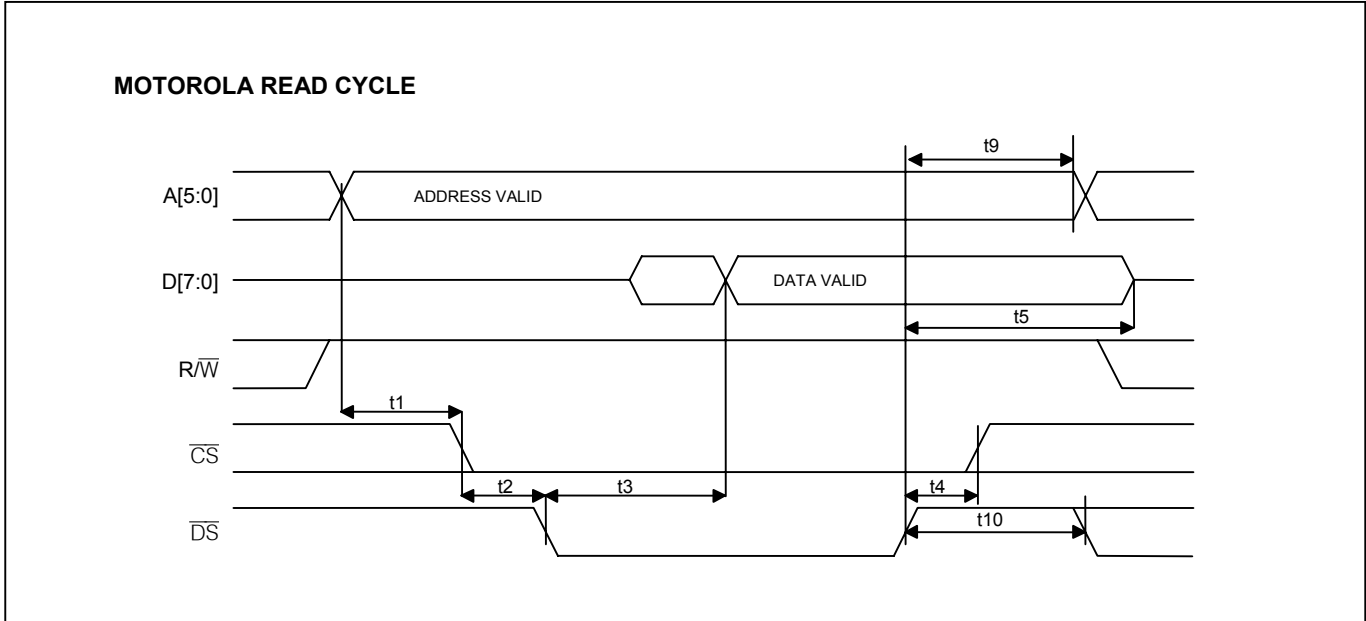


Figure 17-4. Parallel CPU Interface Timing Diagram (Multiplexed)

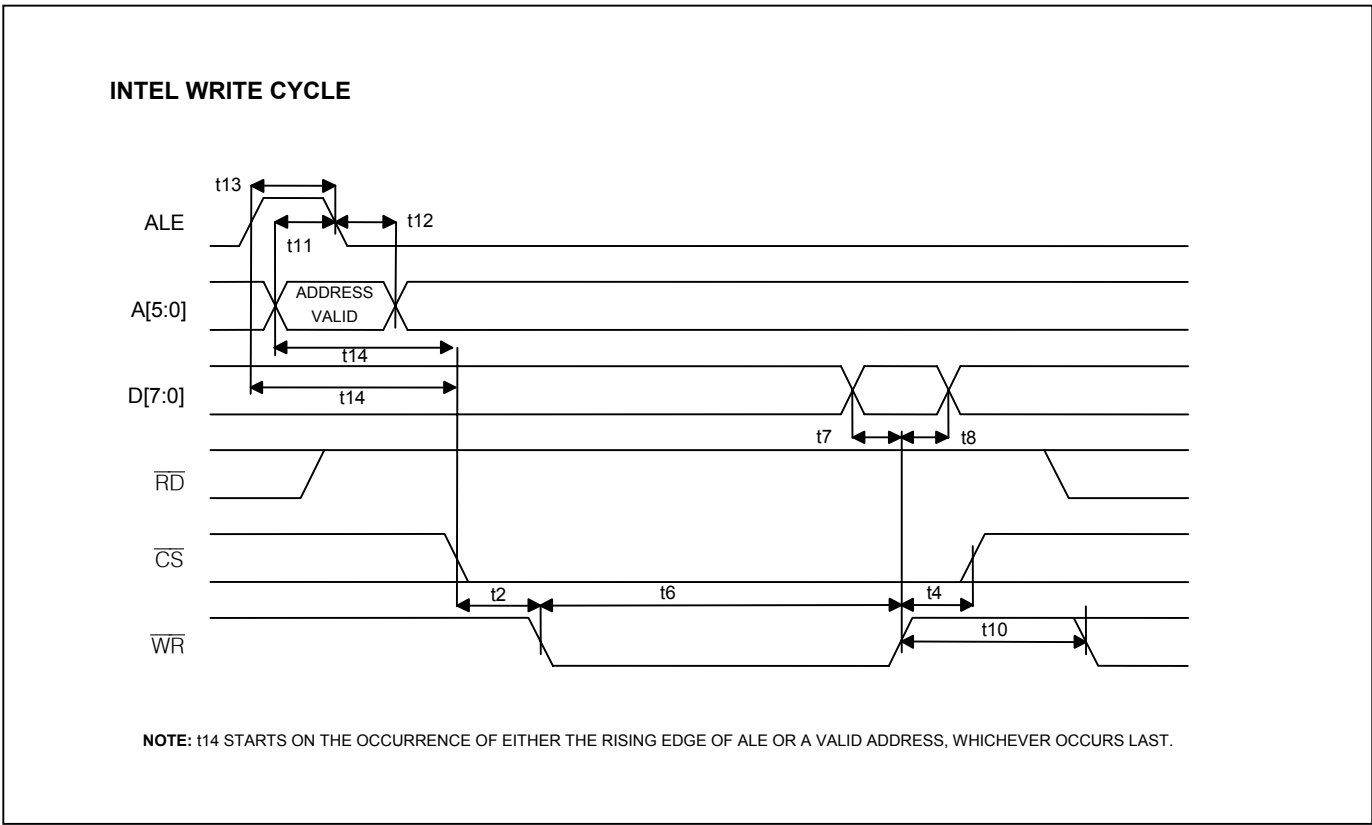
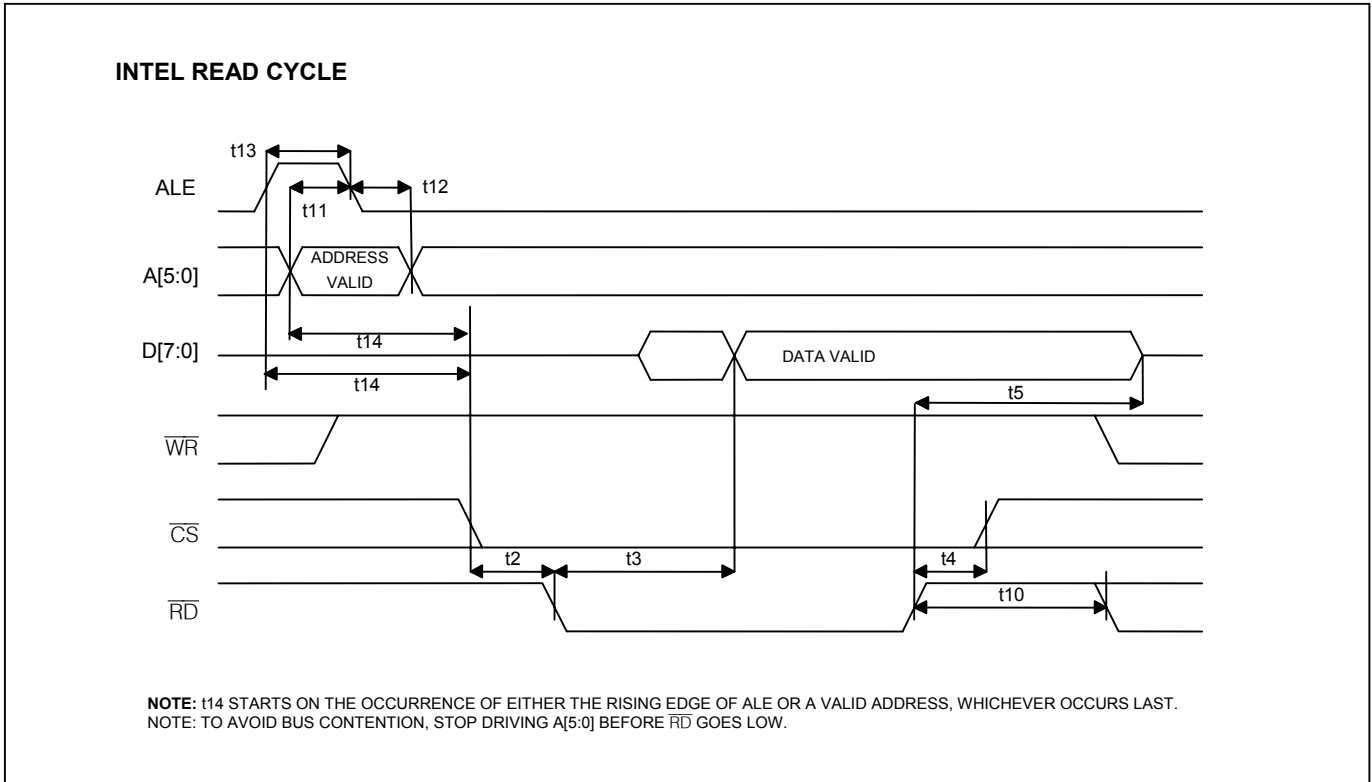


Figure 17-4. Parallel CPU Interface Timing Diagram (Multiplexed) (continued)

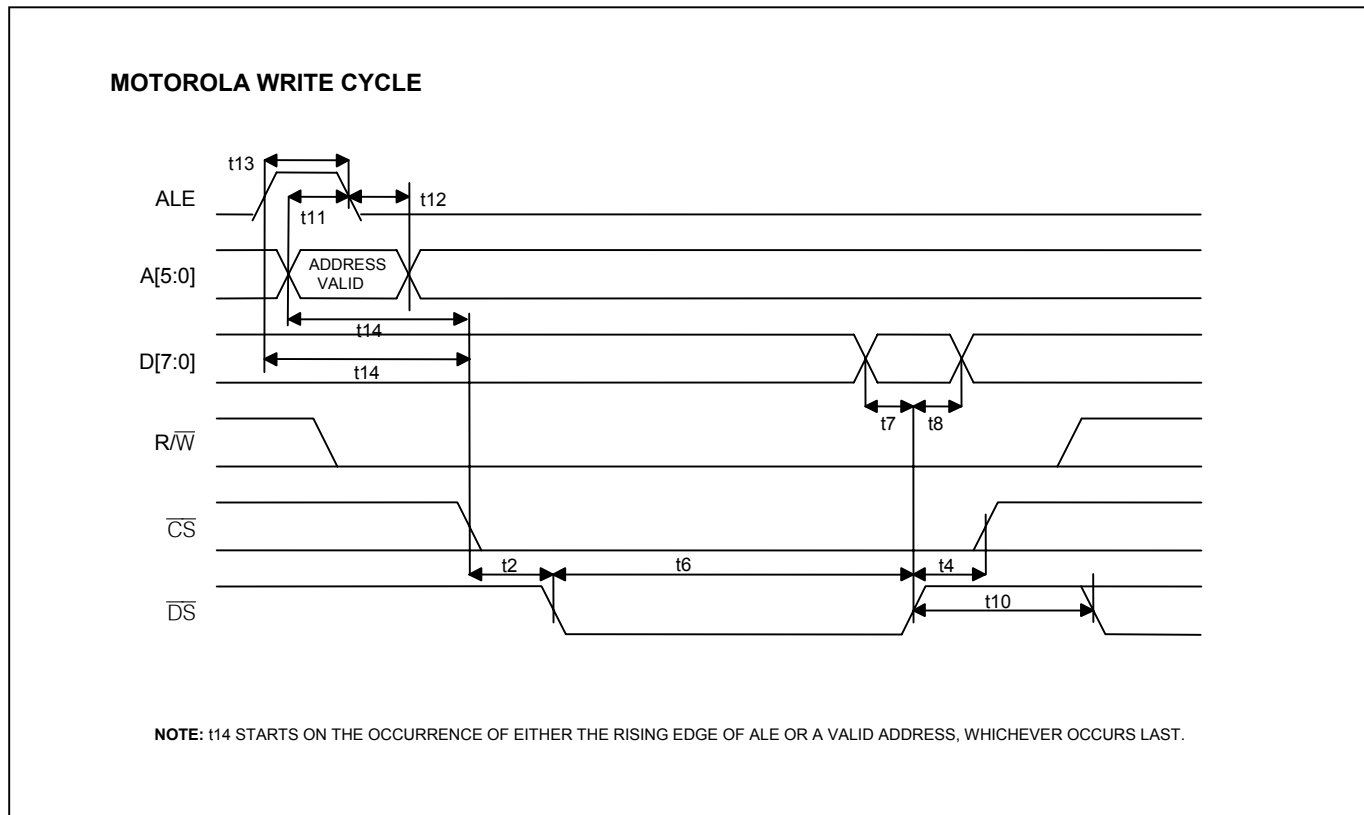
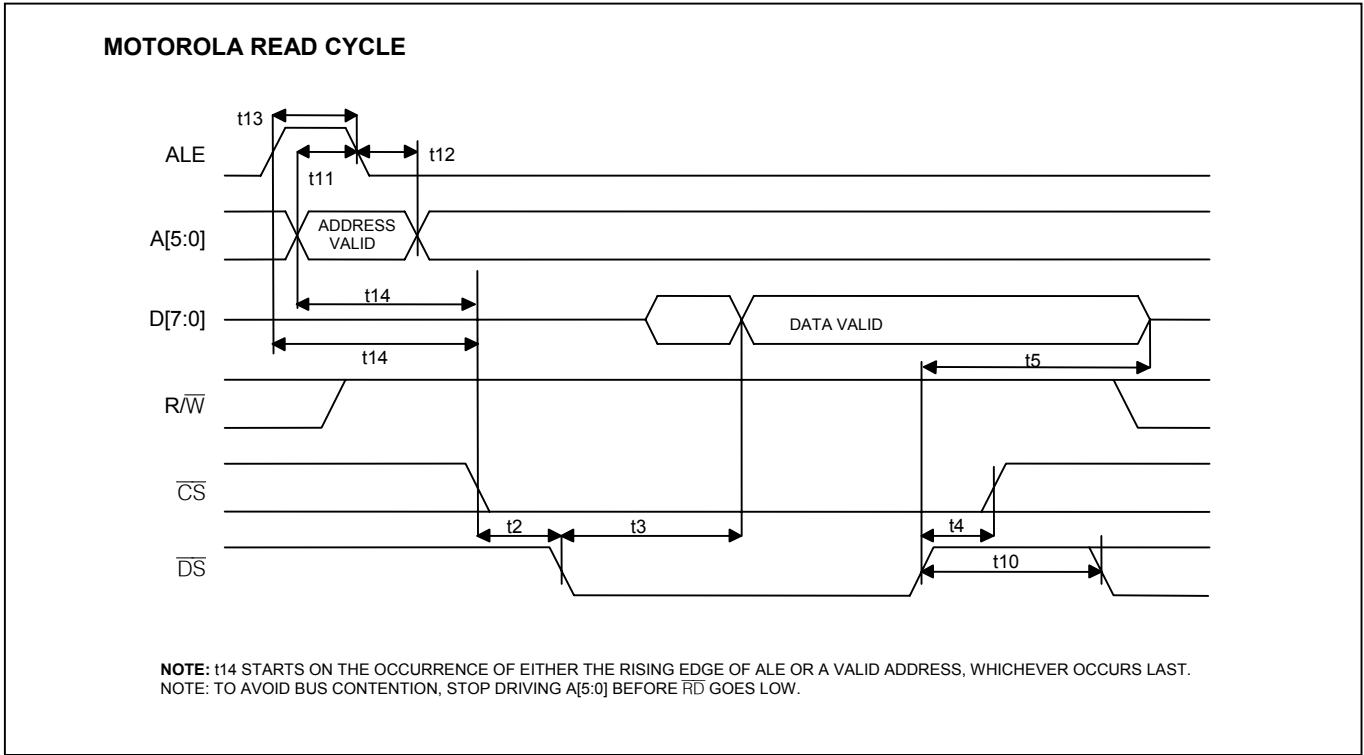


Table 17-1. SPI Interface Timing

($V_{DD} = 3.3V \pm 5\%$, $T_A = -40^{\circ}C$ to $+85^{\circ}C$.) (Figure 17-5)

| PARAMETER (Note 1) | SYMBOL | MIN | TYP | MAX | UNITS |
|--|------------|-----|-----|-----|-------|
| SCLK Frequency | f_{BUS} | | | 10 | MHz |
| SCLK Cycle Time | t_{CYC} | 100 | | | ns |
| \overline{CS} Setup to First SCLK Edge | t_{SUC} | 15 | | | ns |
| \overline{CS} Hold time After Last SCLK Edge | t_{HDC} | 15 | | | ns |
| SCLK High Time | t_{CLKH} | 50 | | | ns |
| SCLK Low Time | t_{CLKL} | 50 | | | ns |
| SDI Data Setup Time | t_{SUI} | 5 | | | ns |
| SDI Data Hold Time | t_{HDI} | 15 | | | ns |
| SDO Enable Time (High-Impedance to Output Active) | t_{EN} | 0 | | | ns |
| SDO Disable Time (Output Active to High-Impedance) | t_{DIS} | | | 25 | ns |
| SDO Data Valid Time | t_{DV} | | | 40 | ns |
| SDO Data Hold Time After Update SCLK Edge | t_{HDO} | 5 | | | ns |

Note 1: All timing is specified with 100pF load on all SPI pins.

Figure 17-5. SPI Interface Timing Diagram

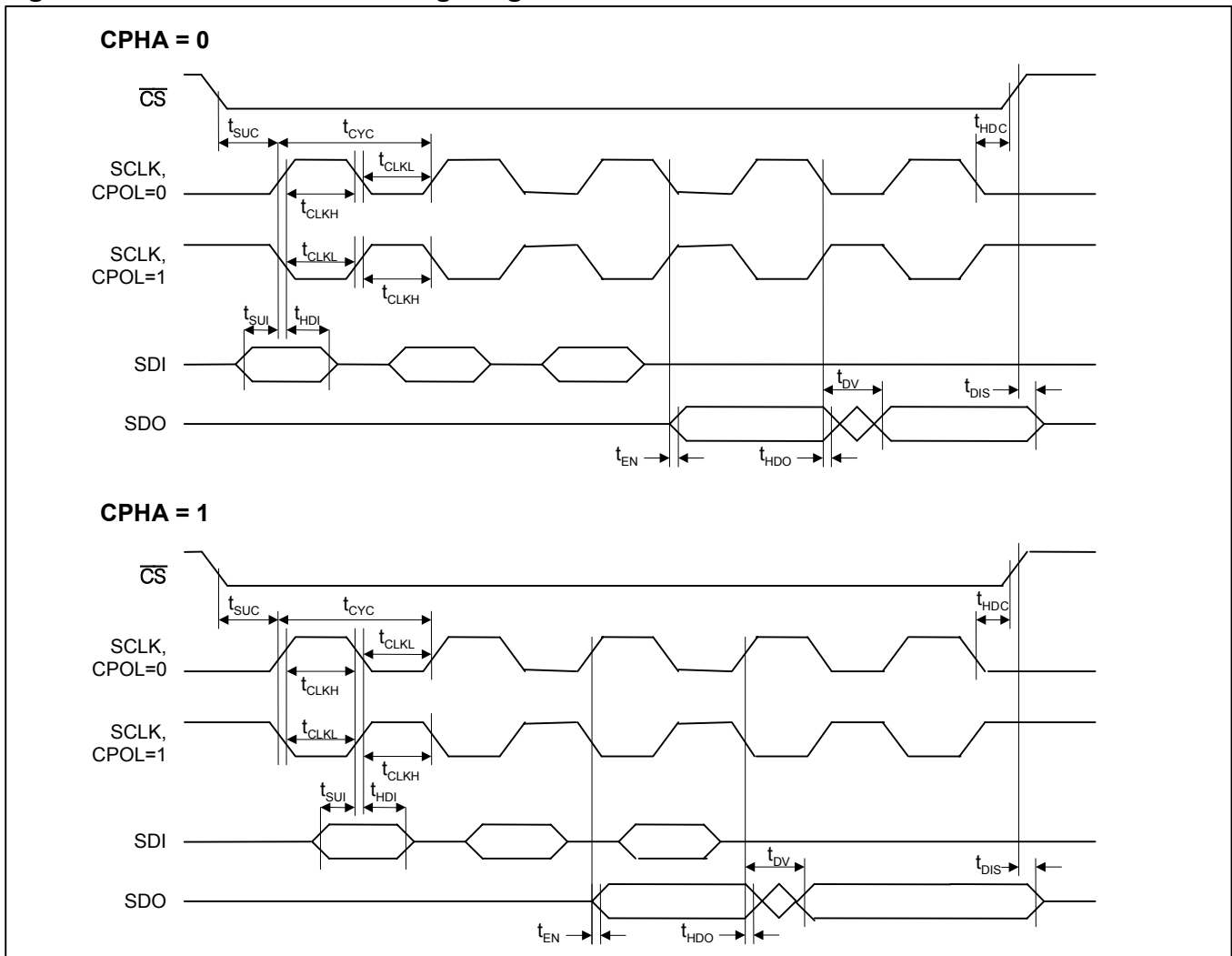
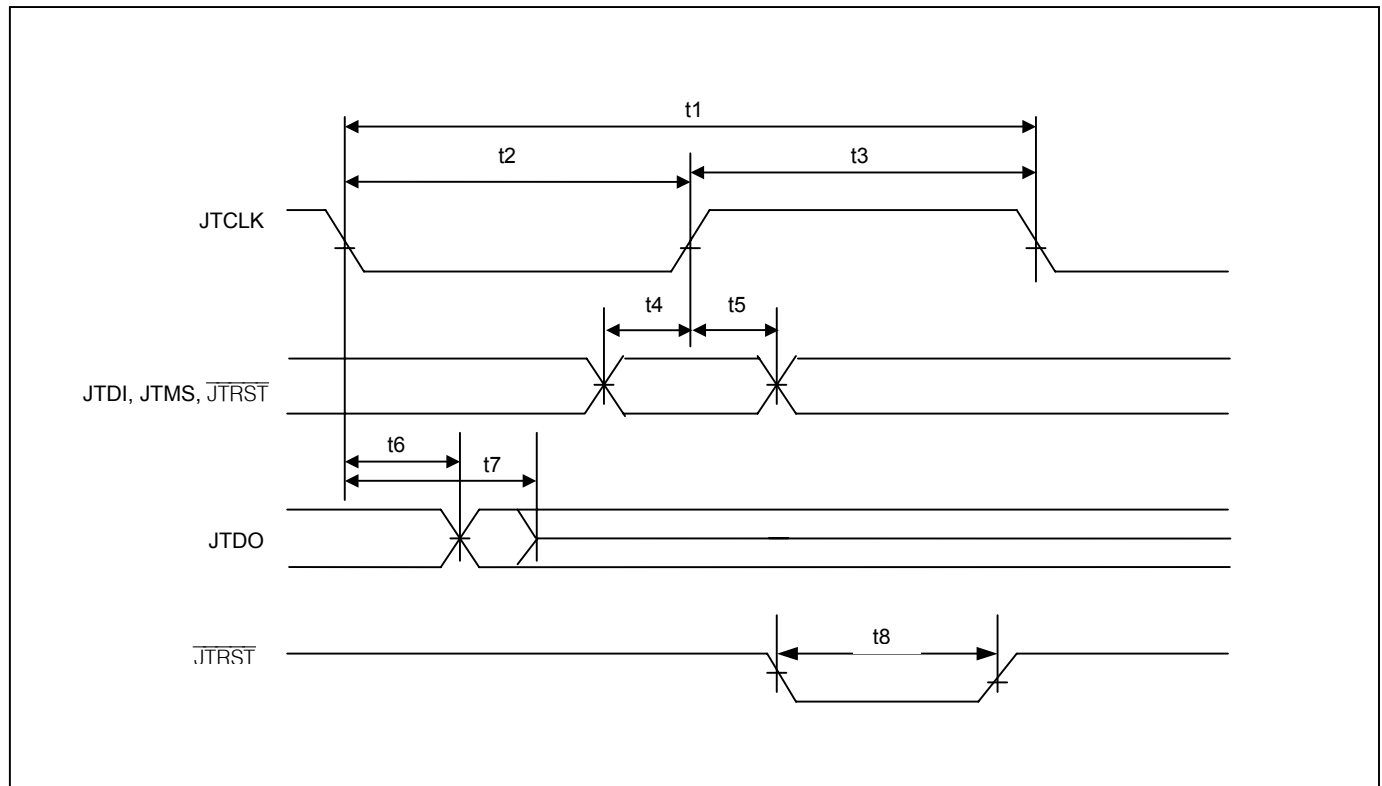


Table 17-J. JTAG Interface Timing(V_{DD} = 3.3V ±5%, T_A = -40°C to +85°C.) (Figure 17-6)

| PARAMETER | SYMBOL | MIN | TYP | MAX | UNITS |
|--|--------|-----|------|-----|-------|
| JTCLK Clock Period | t1 | | 1000 | | ns |
| JTCLK Clock High/Low Time (Note 1) | t2/t3 | 50 | 500 | | ns |
| JTCLK to JTDI, JTMS Setup Time | t4 | 50 | | | ns |
| JTCLK to JTDI, JTMS Hold Time | t5 | 50 | | | ns |
| JTCLK to JTDO Delay | t6 | 2 | | 50 | ns |
| JTCLK to JTDO High-Z Delay (Note 2) | t7 | 2 | | 50 | ns |
| $\overline{\text{JTRST}}$ Width Low Time | t8 | 100 | | | ns |

Note 1: Clock can be stopped high or low.**Note 2:** Not tested during production test.**Figure 17-6. JTAG Timing Diagram**

18. PIN ASSIGNMENTS

[Table 18-A](#) lists pin assignments sorted by signal name. DS3254 has all four LIUs. DS3253 has only LIUs 1, 2, and 3. DS3252 has only LIUs 1 and 2. DS3251 has only LIU 1. [Figure 18-1](#) through [Figure 18-11](#) show pinouts for the four devices in both hardware and CPU bus modes.

Table 18-A. Pin Assignments Sorted by Signal Name

| NAME | HARDWARE MODE | PARALLEL BUS MODE | SPI BUS MODE | PIN | | | |
|---------------------------------|---------------|-------------------|--------------|-------|-------|-------|-------|
| | | | | LIU 1 | LIU 2 | LIU 3 | LIU 4 |
| A0 | N | Y | N | K6 | | | |
| A1 | N | Y | N | L6 | | | |
| A2 | N | Y | N | K7 | | | |
| A3 | N | Y | N | L7 | | | |
| A4 | N | Y | N | K8 | | | |
| A5 | N | Y | N | L8 | | | |
| ALE | N | Y | Y | C7 | | | |
| CPHA | N | N | Y | H3 | | | |
| CPOL | N | N | Y | J3 | | | |
| \overline{CS} | N | Y | Y | B7 | | | |
| D0 | N | Y | N | E3 | | | |
| D1 | N | Y | N | F2 | | | |
| D2 | N | Y | N | F3 | | | |
| D3 | N | Y | N | G2 | | | |
| D4 | N | Y | N | G3 | | | |
| D5 | N | Y | N | H2 | | | |
| D6 | N | Y | N | H3 | | | |
| D7 | N | Y | N | J3 | | | |
| E3MCLK | Y | Y | Y | E12 | | | |
| E3Mn | Y | N | N | F3 | G10 | C7 | K6 |
| \overline{HIZ} | Y | Y | Y | J8 | | | |
| HW | Y | Y | Y | E9 | | | |
| \overline{INT} | N | Y | Y | C5 | | | |
| JTCLK | Y | Y | Y | E4 | | | |
| JTDI | Y | Y | Y | H4 | | | |
| JTDO | Y | Y | Y | J4 | | | |
| JTMS | Y | Y | Y | D5 | | | |
| \overline{JTRST} | Y | Y | Y | D4 | | | |
| LLBn | Y | N | N | B5 | L8 | E11 | H2 |
| MOT | N | Y | Y | C6 | | | |
| PRBSn | Y | Y | Y | B1 | L12 | A11 | M2 |
| RBIN | Y | N | N | D9 | | | |
| RCINV | Y | N | N | J9 | | | |
| RCLKn | Y | Y | Y | C1 | K12 | A10 | M3 |
| $\overline{RD} / \overline{DS}$ | N | Y | Y | B6 | | | |
| RJAn | Y | N | N | B4 | L9 | D11 | J2 |
| RLBn | Y | N | N | C5 | K8 | E10 | H3 |
| \overline{RLOS} n | Y | Y | Y | A1 | M12 | A12 | M1 |

| NAME | HARDWARE MODE | PARALLEL BUS MODE | SPI BUS MODE | PIN | | | |
|---|---------------|-------------------|--------------|--|-------|-------|-------|
| | | | | LIU 1 | LIU 2 | LIU 3 | LIU 4 |
| RNEGn / RLCVn | Y | Y | Y | C3 | K10 | C10 | K3 |
| RPOSn / RDATn | Y | Y | Y | C2 | K11 | B10 | L3 |
| $\overline{\text{RST}}$ | Y | Y | Y | H1 | | | |
| $\overline{\text{RTSn}}$ | Y | Y | Y | B2 | L11 | B11 | L2 |
| RXNn | Y | Y | Y | A2 | M11 | B12 | L1 |
| RXPn | Y | Y | Y | A3 | M10 | C12 | K1 |
| SCLK | N | N | Y | F3 | | | |
| SDI | N | N | Y | F2 | | | |
| SDO | N | N | Y | E3 | | | |
| STMCLK | Y | Y | Y | M8 | | | |
| STSn | Y | N | N | F2 | G11 | B7 | L6 |
| T3MCLK | Y | Y | Y | A5 | | | |
| TBIN | Y | N | N | D8 | | | |
| TCINV | Y | N | N | H9 | | | |
| TCLKn | Y | Y | Y | E1 | H12 | A8 | M5 |
| $\overline{\text{TDMn}}$ | Y | Y | Y | D3 | J10 | C9 | K4 |
| TDSAn | Y | N | N | G2 | F11 | B6 | L7 |
| TDSBn | Y | N | N | G3 | F10 | C6 | K7 |
| $\overline{\text{TEST}}$ | Y | Y | Y | J5 | | | |
| TJAn | Y | N | N | C4 | K9 | D10 | J3 |
| TLBOn | Y | N | N | E3 | H10 | C8 | K5 |
| TNEGn | Y | Y | Y | D2 | J11 | B9 | L4 |
| TPOSn / TDATn | Y | Y | Y | D1 | J12 | A9 | M4 |
| $\overline{\text{TTSn}}$ | Y | Y | Y | E2 | H11 | B8 | L5 |
| TXNn | Y | Y | Y | G1 | F12 | A6 | M7 |
| TXPn | Y | Y | Y | F1 | G12 | A7 | M6 |
| V _{DD} | Y | Y | Y | D6, E5, E6, F4, F5, F6, G7, G8, G9, H7, H8, J7 | | | |
| V _{SS} | Y | Y | Y | D7, E7, E8, F7, F8, F9, G4, G5, G6, H5, H6, J6 | | | |
| $\overline{\text{WR}} / \text{R}/\overline{\text{W}}$ | N | Y | Y | B5 | | | |

Figure 18-1. DS3251 Hardware Mode Pin Assignment

| | | | | | | | | | | | |
|-------|-------|-------|-----------------|-----------------|-----------------|-----------------|-----------------|-----------------|------|------|--------|
| A1 | A2 | A3 | A4 | A5 | A6 | A7 | A8 | A9 | A10 | A11 | A12 |
| RLOS1 | RXN1 | RXP1 | RMON1 | T3MCLK | N.C. | N.C. | N.C. | N.C. | N.C. | N.C. | N.C. |
| B1 | B2 | B3 | B4 | B5 | B6 | B7 | B8 | B9 | B10 | B11 | B12 |
| PRBS1 | RTS1 | N.C. | RJA1 | LLB1 | N.C. | N.C. | N.C. | N.C. | N.C. | N.C. | N.C. |
| C1 | C2 | C3 | C4 | C5 | C6 | C7 | C8 | C9 | C10 | C11 | C12 |
| RCLK1 | RPOS1 | RNEG1 | TJA1 | RLB1 | N.C. | N.C. | N.C. | N.C. | N.C. | N.C. | N.C. |
| D1 | D2 | D3 | D4 | D5 | D6 | D7 | D8 | D9 | D10 | D11 | D12 |
| TPOS1 | TNEG1 | TDM1 | JTRST | JTMS | V _{DD} | V _{SS} | TBIN | RBIN | N.C. | N.C. | N.C. |
| E1 | E2 | E3 | E4 | E5 | E6 | E7 | E8 | E9 | E10 | E11 | E12 |
| TCLK1 | TTS1 | TLBO1 | JTCLK | V _{DD} | V _{DD} | V _{SS} | V _{SS} | HW | N.C. | N.C. | E3MCLK |
| F1 | F2 | F3 | F4 | F5 | F6 | F7 | F8 | F9 | F10 | F11 | F12 |
| TXP1 | STS1 | E3M1 | V _{DD} | V _{DD} | V _{DD} | V _{SS} | V _{SS} | V _{SS} | N.C. | N.C. | N.C. |
| G1 | G2 | G3 | G4 | G5 | G6 | G7 | G8 | G9 | G10 | G11 | G12 |
| TXN1 | TDSA1 | TDSB1 | V _{SS} | V _{SS} | V _{SS} | V _{DD} | V _{DD} | V _{DD} | N.C. | N.C. | N.C. |
| H1 | H2 | H3 | H4 | H5 | H6 | H7 | H8 | H9 | H10 | H11 | H12 |
| RST | N.C. | N.C. | JTDI | V _{SS} | V _{SS} | V _{DD} | V _{DD} | TCINV | N.C. | N.C. | N.C. |
| J1 | J2 | J3 | J4 | J5 | J6 | J7 | J8 | J9 | J10 | J11 | J12 |
| N.C. | N.C. | N.C. | JTDO | TEST | V _{SS} | V _{DD} | HIZ | RCINV | N.C. | N.C. | N.C. |
| K1 | K2 | K3 | K4 | K5 | K6 | K7 | K8 | K9 | K10 | K11 | K12 |
| N.C. | N.C. | N.C. | N.C. | N.C. | N.C. | N.C. | N.C. | N.C. | N.C. | N.C. | N.C. |
| L1 | L2 | L3 | L4 | L5 | L6 | L7 | L8 | L9 | L10 | L11 | L12 |
| N.C. | N.C. | N.C. | N.C. | N.C. | N.C. | N.C. | N.C. | N.C. | N.C. | N.C. | N.C. |
| M1 | M2 | M3 | M4 | M5 | M6 | M7 | M8 | M9 | M10 | M11 | M12 |
| N.C. | N.C. | N.C. | N.C. | N.C. | N.C. | N.C. | STMCLK | N.C. | N.C. | N.C. | N.C. |

| | |
|--|--------------------|
| | High-Speed Analog |
| | High-Speed Digital |
| | Low-Speed Digital |
| | V _{DD} |
| | V _{SS} |

Figure 18-2. DS3251 Parallel Bus Mode Pin Assignment

| | | | | | | | | | | | |
|-------|-------|-------|-----------------|-----------------|-----------------|-----------------|-----------------|-----------------|------|------|--------|
| A1 | A2 | A3 | A4 | A5 | A6 | A7 | A8 | A9 | A10 | A11 | A12 |
| RLOS1 | RXN1 | RXP1 | N.C. | T3MCLK | N.C. | N.C. | N.C. | N.C. | N.C. | N.C. | N.C. |
| B1 | B2 | B3 | B4 | B5 | B6 | B7 | B8 | B9 | B10 | B11 | B12 |
| PRBS1 | RTS1 | N.C. | N.C. | WR | RD | CS | N.C. | N.C. | N.C. | N.C. | N.C. |
| C1 | C2 | C3 | C4 | C5 | C6 | C7 | C8 | C9 | C10 | C11 | C12 |
| RCLK1 | RPOS1 | RNEG1 | N.C. | INT | MOT | ALE | N.C. | N.C. | N.C. | N.C. | N.C. |
| D1 | D2 | D3 | D4 | D5 | D6 | D7 | D8 | D9 | D10 | D11 | D12 |
| TPOS1 | TNEG1 | TDM1 | JTRST | JTMS | V _{DD} | V _{SS} | N.C. | N.C. | N.C. | N.C. | N.C. |
| E1 | E2 | E3 | E4 | E5 | E6 | E7 | E8 | E9 | E10 | E11 | E12 |
| TCLK1 | TTS1 | D0 | JTCLK | V _{DD} | V _{DD} | V _{SS} | V _{SS} | HW | N.C. | N.C. | E3MCLK |
| F1 | F2 | F3 | F4 | F5 | F6 | F7 | F8 | F9 | F10 | F11 | F12 |
| TXP1 | D1 | D2 | V _{DD} | V _{DD} | V _{DD} | V _{SS} | V _{SS} | V _{SS} | N.C. | N.C. | N.C. |
| G1 | G2 | G3 | G4 | G5 | G6 | G7 | G8 | G9 | G10 | G11 | G12 |
| TXN1 | D3 | D4 | V _{SS} | V _{SS} | V _{SS} | V _{DD} | V _{DD} | V _{DD} | N.C. | N.C. | N.C. |
| H1 | H2 | H3 | H4 | H5 | H6 | H7 | H8 | H9 | H10 | H11 | H12 |
| RST | D5 | D6 | JTDI | V _{SS} | V _{SS} | V _{DD} | V _{DD} | N.C. | N.C. | N.C. | N.C. |
| J1 | J2 | J3 | J4 | J5 | J6 | J7 | J8 | J9 | J10 | J11 | J12 |
| N.C. | N.C. | D7 | JTDO | TEST | V _{SS} | V _{DD} | HIZ | N.C. | N.C. | N.C. | N.C. |
| K1 | K2 | K3 | K4 | K5 | K6 | K7 | K8 | K9 | K10 | K11 | K12 |
| N.C. | N.C. | N.C. | N.C. | N.C. | A0 | A2 | N.C. | N.C. | N.C. | N.C. | N.C. |
| L1 | L2 | L3 | L4 | L5 | L6 | L7 | L8 | L9 | L10 | L11 | L12 |
| N.C. | N.C. | N.C. | N.C. | N.C. | A1 | A3 | N.C. | N.C. | N.C. | N.C. | N.C. |
| M1 | M2 | M3 | M4 | M5 | M6 | M7 | M8 | M9 | M10 | M11 | M12 |
| N.C. | N.C. | N.C. | N.C. | N.C. | N.C. | N.C. | STMCLK | N.C. | N.C. | N.C. | N.C. |






| | |
|---|--------------------|
|  | High-Speed Analog |
|  | High-Speed Digital |
|  | Low-Speed Digital |
|  | V _{DD} |
|  | V _{SS} |

Figure 18-3. DS3251 SPI Bus Mode Pin Assignment

| | | | | | | | | | | | |
|-------|-------|-------|-----------------|-----------------|-----------------|-----------------|-----------------|-----------------|------|------|--------|
| A1 | A2 | A3 | A4 | A5 | A6 | A7 | A8 | A9 | A10 | A11 | A12 |
| RLOS1 | RXN1 | RXP1 | N.C. | T3MCLK | N.C. | N.C. | N.C. | N.C. | N.C. | N.C. | N.C. |
| B1 | B2 | B3 | B4 | B5 | B6 | B7 | B8 | B9 | B10 | B11 | B12 |
| PRBS1 | RTS1 | N.C. | N.C. | WR | RD | CS | N.C. | N.C. | N.C. | N.C. | N.C. |
| C1 | C2 | C3 | C4 | C5 | C6 | C7 | C8 | C9 | C10 | C11 | C12 |
| RCLK1 | RPOS1 | RNEG1 | N.C. | INT | MOT | ALE | N.C. | N.C. | N.C. | N.C. | N.C. |
| D1 | D2 | D3 | D4 | D5 | D6 | D7 | D8 | D9 | D10 | D11 | D12 |
| TPOS1 | TNEG1 | TDM1 | JTRST | JTMS | V _{DD} | V _{SS} | N.C. | N.C. | N.C. | N.C. | N.C. |
| E1 | E2 | E3 | E4 | E5 | E6 | E7 | E8 | E9 | E10 | E11 | E12 |
| TCLK1 | TS1 | SDO | JTCLK | V _{DD} | V _{DD} | V _{SS} | V _{SS} | HW | N.C. | N.C. | E3MCLK |
| F1 | F2 | F3 | F4 | F5 | F6 | F7 | F8 | F9 | F10 | F11 | F12 |
| TXP1 | SDI | SCLK | V _{DD} | V _{DD} | V _{DD} | V _{SS} | V _{SS} | V _{SS} | N.C. | N.C. | N.C. |
| G1 | G2 | G3 | G4 | G5 | G6 | G7 | G8 | G9 | G10 | G11 | G12 |
| TXN1 | N.C. | N.C. | V _{SS} | V _{SS} | V _{SS} | V _{DD} | V _{DD} | V _{DD} | N.C. | N.C. | N.C. |
| H1 | H2 | H3 | H4 | H5 | H6 | H7 | H8 | H9 | H10 | H11 | H12 |
| RST | N.C. | CPHA | JTDI | V _{SS} | V _{SS} | V _{DD} | V _{DD} | N.C. | N.C. | N.C. | N.C. |
| J1 | J2 | J3 | J4 | J5 | J6 | J7 | J8 | J9 | J10 | J11 | J12 |
| N.C. | N.C. | CPOL | JTDO | TEST | V _{SS} | V _{DD} | HIZ | N.C. | N.C. | N.C. | N.C. |
| K1 | K2 | K3 | K4 | K5 | K6 | K7 | K8 | K9 | K10 | K11 | K12 |
| N.C. | N.C. | N.C. | N.C. | N.C. | N.C. | N.C. | N.C. | N.C. | N.C. | N.C. | N.C. |
| L1 | L2 | L3 | L4 | L5 | L6 | L7 | L8 | L9 | L10 | L11 | L12 |
| N.C. | N.C. | N.C. | N.C. | N.C. | N.C. | N.C. | N.C. | N.C. | N.C. | N.C. | N.C. |
| M1 | M2 | M3 | M4 | M5 | M6 | M7 | M8 | M9 | M10 | M11 | M12 |
| N.C. | N.C. | N.C. | N.C. | N.C. | N.C. | N.C. | STMCLK | N.C. | N.C. | N.C. | N.C. |






| | |
|---|--------------------|
|  | High-Speed Analog |
|  | High-Speed Digital |
|  | Low-Speed Digital |
|  | V _{DD} |
|  | V _{SS} |

Figure 18-4. DS3252 Hardware Mode Pin Assignment

| | | | | | | | | | | | |
|-------|-------|-------|-----------------|-----------------|-----------------|-----------------|-----------------|-----------------|-------|-------|--------|
| A1 | A2 | A3 | A4 | A5 | A6 | A7 | A8 | A9 | A10 | A11 | A12 |
| RLOS1 | RXN1 | RXP1 | RMON1 | T3MCLK | N.C. | N.C. | N.C. | N.C. | N.C. | N.C. | N.C. |
| B1 | B2 | B3 | B4 | B5 | B6 | B7 | B8 | B9 | B10 | B11 | B12 |
| PRBS1 | RTS1 | N.C. | RJA1 | LLB1 | N.C. | N.C. | N.C. | N.C. | N.C. | N.C. | N.C. |
| C1 | C2 | C3 | C4 | C5 | C6 | C7 | C8 | C9 | C10 | C11 | C12 |
| RCLK1 | RPOS1 | RNEG1 | TJA1 | RLB1 | N.C. | N.C. | N.C. | N.C. | N.C. | N.C. | N.C. |
| D1 | D2 | D3 | D4 | D5 | D6 | D7 | D8 | D9 | D10 | D11 | D12 |
| TPOS1 | TNEG1 | TDM1 | JTRST | JTMS | V _{DD} | V _{SS} | TBIN | RBIN | N.C. | N.C. | N.C. |
| E1 | E2 | E3 | E4 | E5 | E6 | E7 | E8 | E9 | E10 | E11 | E12 |
| TCLK1 | TTS1 | TLBO1 | JTCLK | V _{DD} | V _{DD} | V _{SS} | V _{SS} | HW | N.C. | N.C. | E3MCLK |
| F1 | F2 | F3 | F4 | F5 | F6 | F7 | F8 | F9 | F10 | F11 | F12 |
| TXP1 | STS1 | E3M1 | V _{DD} | V _{DD} | V _{DD} | V _{SS} | V _{SS} | V _{SS} | TDSB2 | TDSA2 | TXN2 |
| G1 | G2 | G3 | G4 | G5 | G6 | G7 | G8 | G9 | G10 | G11 | G12 |
| TXN1 | TDSA1 | TDSB1 | V _{SS} | V _{SS} | V _{SS} | V _{DD} | V _{DD} | V _{DD} | E3M2 | STS2 | TXP2 |
| H1 | H2 | H3 | H4 | H5 | H6 | H7 | H8 | H9 | H10 | H11 | H12 |
| RST | N.C. | N.C. | JTDI | V _{SS} | V _{SS} | V _{DD} | V _{DD} | TCINV | TLBO2 | TTS2 | TCLK2 |
| J1 | J2 | J3 | J4 | J5 | J6 | J7 | J8 | J9 | J10 | J11 | J12 |
| N.C. | N.C. | N.C. | JTDO | TEST | V _{SS} | V _{DD} | HIZ | RCINV | TDM2 | TNEG2 | TPOS2 |
| K1 | K2 | K3 | K4 | K5 | K6 | K7 | K8 | K9 | K10 | K11 | K12 |
| N.C. | N.C. | N.C. | N.C. | N.C. | N.C. | N.C. | RLB2 | TJA2 | RNEG2 | RPOS2 | RCLK2 |
| L1 | L2 | L3 | L4 | L5 | L6 | L7 | L8 | L9 | L10 | L11 | L12 |
| N.C. | N.C. | N.C. | N.C. | N.C. | N.C. | N.C. | LLB2 | RJA2 | N.C. | RTS2 | PRBS2 |
| M1 | M2 | M3 | M4 | M5 | M6 | M7 | M8 | M9 | M10 | M11 | M12 |
| N.C. | N.C. | N.C. | N.C. | N.C. | N.C. | N.C. | STMCLK | RMON2 | RXP2 | RXN2 | RLOS2 |



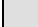


| | |
|---|--------------------|
|  | High-Speed Analog |
|  | High-Speed Digital |
|  | Low-Speed Digital |
|  | V _{DD} |
|  | V _{SS} |

Figure 18-5. DS3252 Parallel Bus Mode Pin Assignment

| | | | | | | | | | | | |
|-------|-------|-------|-----------------|-----------------|-----------------|-----------------|-----------------|-----------------|-------|-------|--------|
| A1 | A2 | A3 | A4 | A5 | A6 | A7 | A8 | A9 | A10 | A11 | A12 |
| RLOS1 | RXN1 | RXP1 | N.C. | T3MCLK | N.C. | N.C. | N.C. | N.C. | N.C. | N.C. | N.C. |
| B1 | B2 | B3 | B4 | B5 | B6 | B7 | B8 | B9 | B10 | B11 | B12 |
| PRBS1 | RTS1 | N.C. | N.C. | WR | RD | CS | N.C. | N.C. | N.C. | N.C. | N.C. |
| C1 | C2 | C3 | C4 | C5 | C6 | C7 | C8 | C9 | C10 | C11 | C12 |
| RCLK1 | RPOS1 | RNEG1 | N.C. | INT | MOT | ALE | N.C. | N.C. | N.C. | N.C. | N.C. |
| D1 | D2 | D3 | D4 | D5 | D6 | D7 | D8 | D9 | D10 | D11 | D12 |
| TPOS1 | TNEG1 | TDM1 | JTRST | JTMS | V _{DD} | V _{SS} | N.C. | N.C. | N.C. | N.C. | N.C. |
| E1 | E2 | E3 | E4 | E5 | E6 | E7 | E8 | E9 | E10 | E11 | E12 |
| TCLK1 | TTS1 | D0 | JTCLK | V _{DD} | V _{DD} | V _{SS} | V _{SS} | HW | N.C. | N.C. | E3MCLK |
| F1 | F2 | F3 | F4 | F5 | F6 | F7 | F8 | F9 | F10 | F11 | F12 |
| TXP1 | D1 | D2 | V _{DD} | V _{DD} | V _{DD} | V _{SS} | V _{SS} | V _{SS} | N.C. | N.C. | TXN2 |
| G1 | G2 | G3 | G4 | G5 | G6 | G7 | G8 | G9 | G10 | G11 | G12 |
| TXN1 | D3 | D4 | V _{SS} | V _{SS} | V _{SS} | V _{DD} | V _{DD} | V _{DD} | N.C. | N.C. | TXP2 |
| H1 | H2 | H3 | H4 | H5 | H6 | H7 | H8 | H9 | H10 | H11 | H12 |
| RST | D5 | D6 | JTDI | V _{SS} | V _{SS} | V _{DD} | V _{DD} | N.C. | N.C. | TTS2 | TCLK2 |
| J1 | J2 | J3 | J4 | J5 | J6 | J7 | J8 | J9 | J10 | J11 | J12 |
| N.C. | N.C. | D7 | JTDO | TEST | V _{SS} | V _{DD} | HIZ | N.C. | TDM2 | TNEG2 | TPOS2 |
| K1 | K2 | K3 | K4 | K5 | K6 | K7 | K8 | K9 | K10 | K11 | K12 |
| N.C. | N.C. | N.C. | N.C. | N.C. | A0 | A2 | A4 | N.C. | RNEG2 | RPOS2 | RCLK2 |
| L1 | L2 | L3 | L4 | L5 | L6 | L7 | L8 | L9 | L10 | L11 | L12 |
| N.C. | N.C. | N.C. | N.C. | N.C. | A1 | A3 | N.C. | N.C. | N.C. | RTS2 | PRBS2 |
| M1 | M2 | M3 | M4 | M5 | M6 | M7 | M8 | M9 | M10 | M11 | M12 |
| N.C. | N.C. | N.C. | N.C. | N.C. | N.C. | N.C. | STMCLK | N.C. | RXP2 | RXN2 | RLOS2 |

| | |
|---|--------------------|
| ■ | High-Speed Analog |
| ■ | High-Speed Digital |
| ■ | Low-Speed Digital |
| ■ | V _{DD} |
| ■ | V _{SS} |

Figure 18-6. DS3252 SPI Bus Mode Pin Assignment

| | | | | | | | | | | | |
|-------|-------|-------|-----------------|-----------------|-----------------|-----------------|-----------------|-----------------|-------|-------|--------|
| A1 | A2 | A3 | A4 | A5 | A6 | A7 | A8 | A9 | A10 | A11 | A12 |
| RLOS1 | RXN1 | RXP1 | N.C. | T3MCLK | N.C. | N.C. | N.C. | N.C. | N.C. | N.C. | N.C. |
| B1 | B2 | B3 | B4 | B5 | B6 | B7 | B8 | B9 | B10 | B11 | B12 |
| PRBS1 | RTS1 | N.C. | N.C. | WR | RD | CS | N.C. | N.C. | N.C. | N.C. | N.C. |
| C1 | C2 | C3 | C4 | C5 | C6 | C7 | C8 | C9 | C10 | C11 | C12 |
| RCLK1 | RPOS1 | RNEG1 | N.C. | TNT | MOT | ALE | N.C. | N.C. | N.C. | N.C. | N.C. |
| D1 | D2 | D3 | D4 | D5 | D6 | D7 | D8 | D9 | D10 | D11 | D12 |
| TPOS1 | TNEG1 | TDM1 | JTRST | JTMS | V _{DD} | V _{SS} | N.C. | N.C. | N.C. | N.C. | N.C. |
| E1 | E2 | E3 | E4 | E5 | E6 | E7 | E8 | E9 | E10 | E11 | E12 |
| TCLK1 | TTS1 | SDO | JTCLK | V _{DD} | V _{DD} | V _{SS} | V _{SS} | HW | N.C. | N.C. | E3MCLK |
| F1 | F2 | F3 | F4 | F5 | F6 | F7 | F8 | F9 | F10 | F11 | F12 |
| TXP1 | SDI | SCLK | V _{DD} | V _{DD} | V _{DD} | V _{SS} | V _{SS} | V _{SS} | N.C. | N.C. | TXN2 |
| G1 | G2 | G3 | G4 | G5 | G6 | G7 | G8 | G9 | G10 | G11 | G12 |
| TXN1 | N.C. | N.C. | V _{SS} | V _{SS} | V _{SS} | V _{DD} | V _{DD} | V _{DD} | N.C. | N.C. | TXP2 |
| H1 | H2 | H3 | H4 | H5 | H6 | H7 | H8 | H9 | H10 | H11 | H12 |
| RST | N.C. | CPHA | JTDI | V _{SS} | V _{SS} | V _{DD} | V _{DD} | N.C. | N.C. | TTS2 | TCLK2 |
| J1 | J2 | J3 | J4 | J5 | J6 | J7 | J8 | J9 | J10 | J11 | J12 |
| N.C. | N.C. | CPOL | JTDO | TEST | V _{SS} | V _{DD} | HIZ | N.C. | TDM2 | TNEG2 | TPOS2 |
| K1 | K2 | K3 | K4 | K5 | K6 | K7 | K8 | K9 | K10 | K11 | K12 |
| N.C. | N.C. | N.C. | N.C. | N.C. | N.C. | N.C. | N.C. | N.C. | RNEG2 | RPOS2 | RCLK2 |
| L1 | L2 | L3 | L4 | L5 | L6 | L7 | L8 | L9 | L10 | L11 | L12 |
| N.C. | N.C. | N.C. | N.C. | N.C. | N.C. | N.C. | N.C. | N.C. | N.C. | RTS2 | PRBS2 |
| M1 | M2 | M3 | M4 | M5 | M6 | M7 | M8 | M9 | M10 | M11 | M12 |
| N.C. | N.C. | N.C. | N.C. | N.C. | N.C. | N.C. | STMCLK | N.C. | RXP2 | RXN2 | RLOS2 |

| | |
|--|--------------------|
| | High-Speed Analog |
| | High-Speed Digital |
| | Low-Speed Digital |
| | V _{DD} |
| | V _{SS} |

Figure 18-7. DS3253 Hardware Mode Pin Assignment

| | | | | | | | | | | | |
|-------|-------|-------|-----------------|-----------------|-----------------|-----------------|-----------------|-----------------|-------|-------|--------|
| A1 | A2 | A3 | A4 | A5 | A6 | A7 | A8 | A9 | A10 | A11 | A12 |
| RLOS1 | RXN1 | RXP1 | RMON1 | T3MCLK | TXN3 | TXP3 | TCLK3 | TPOS3 | RCLK3 | PRBS3 | RLOS3 |
| B1 | B2 | B3 | B4 | B5 | B6 | B7 | B8 | B9 | B10 | B11 | B12 |
| PRBS1 | RTS1 | N.C. | RJA1 | LLB1 | TDSA3 | STS3 | TTS3 | TNEG3 | RPOS3 | RTS3 | RXN3 |
| C1 | C2 | C3 | C4 | C5 | C6 | C7 | C8 | C9 | C10 | C11 | C12 |
| RCLK1 | RPOS1 | RNEG1 | TJA1 | RLB1 | TDSB3 | E3M3 | TLBO3 | TDM3 | RNEG3 | N.C. | RXP3 |
| D1 | D2 | D3 | D4 | D5 | D6 | D7 | D8 | D9 | D10 | D11 | D12 |
| TPOS1 | TNEG1 | TDM1 | JTRST | JTMS | V _{DD} | V _{SS} | TBIN | RBIN | TJA3 | RJA3 | RMON3 |
| E1 | E2 | E3 | E4 | E5 | E6 | E7 | E8 | E9 | E10 | E11 | E12 |
| TCLK1 | TTS1 | TLBO1 | JTCLK | V _{DD} | V _{DD} | V _{SS} | V _{SS} | HW | RLB3 | LLB3 | E3MCLK |
| F1 | F2 | F3 | F4 | F5 | F6 | F7 | F8 | F9 | F10 | F11 | F12 |
| TXP1 | STS1 | E3M1 | V _{DD} | V _{DD} | V _{DD} | V _{SS} | V _{SS} | V _{SS} | TDSB2 | TDSA2 | TXN2 |
| G1 | G2 | G3 | G4 | G5 | G6 | G7 | G8 | G9 | G10 | G11 | G12 |
| TXN1 | TDSA1 | TDSB1 | V _{SS} | V _{SS} | V _{SS} | V _{DD} | V _{DD} | V _{DD} | E3M2 | STS2 | TXP2 |
| H1 | H2 | H3 | H4 | H5 | H6 | H7 | H8 | H9 | H10 | H11 | H12 |
| RST | N.C. | N.C. | JTDI | V _{SS} | V _{SS} | V _{DD} | V _{DD} | TCINV | TLBO2 | TTS2 | TCLK2 |
| J1 | J2 | J3 | J4 | J5 | J6 | J7 | J8 | J9 | J10 | J11 | J12 |
| N.C. | N.C. | N.C. | JTDO | TEST | V _{SS} | V _{DD} | HIZ | RCINV | TDM2 | TNEG2 | TPOS2 |
| K1 | K2 | K3 | K4 | K5 | K6 | K7 | K8 | K9 | K10 | K11 | K12 |
| N.C. | N.C. | N.C. | N.C. | N.C. | N.C. | N.C. | RLB2 | TJA2 | RNEG2 | RPOS2 | RCLK2 |
| L1 | L2 | L3 | L4 | L5 | L6 | L7 | L8 | L9 | L10 | L11 | L12 |
| N.C. | N.C. | N.C. | N.C. | N.C. | N.C. | N.C. | LLB2 | RJA2 | N.C. | RTS2 | PRBS2 |
| M1 | M2 | M3 | M4 | M5 | M6 | M7 | M8 | M9 | M10 | M11 | M12 |
| N.C. | N.C. | N.C. | N.C. | N.C. | N.C. | N.C. | STMCLK | RMON2 | RXP2 | RXN2 | RLOS2 |






| | |
|---|--------------------|
|  | High-Speed Analog |
|  | High-Speed Digital |
|  | Low-Speed Digital |
|  | V _{DD} |
|  | V _{SS} |

Figure 18-8. DS3253 Parallel Bus Mode Pin Assignment

| | | | | | | | | | | | |
|-------|-------|-------|-----------------|-----------------|-----------------|-----------------|-----------------|-----------------|-------|-------|--------|
| A1 | A2 | A3 | A4 | A5 | A6 | A7 | A8 | A9 | A10 | A11 | A12 |
| RLOS1 | RXN1 | RXP1 | N.C. | T3MCLK | TXN3 | TXP3 | TCLK3 | TPOS3 | RCLK3 | PRBS3 | RLOS3 |
| B1 | B2 | B3 | B4 | B5 | B6 | B7 | B8 | B9 | B10 | B11 | B12 |
| PRBS1 | RTS1 | N.C. | N.C. | WR | RD | CS | TTS3 | TNEG3 | RPOS3 | RTS3 | RXN3 |
| C1 | C2 | C3 | C4 | C5 | C6 | C7 | C8 | C9 | C10 | C11 | C12 |
| RCLK1 | RPOS1 | RNEG1 | N.C. | INT | MOT | ALE | N.C. | TDM3 | RNEG3 | N.C. | RXP3 |
| D1 | D2 | D3 | D4 | D5 | D6 | D7 | D8 | D9 | D10 | D11 | D12 |
| TPOS1 | TNEG1 | TDM1 | JTRST | JTMS | V _{DD} | V _{SS} | N.C. | N.C. | N.C. | N.C. | N.C. |
| E1 | E2 | E3 | E4 | E5 | E6 | E7 | E8 | E9 | E10 | E11 | E12 |
| TCLK1 | TTS1 | D0 | JTCLK | V _{DD} | V _{DD} | V _{SS} | V _{SS} | HW | N.C. | N.C. | E3MCLK |
| F1 | F2 | F3 | F4 | F5 | F6 | F7 | F8 | F9 | F10 | F11 | F12 |
| TXP1 | D1 | D2 | V _{DD} | V _{DD} | V _{DD} | V _{SS} | V _{SS} | V _{SS} | N.C. | N.C. | TXN2 |
| G1 | G2 | G3 | G4 | G5 | G6 | G7 | G8 | G9 | G10 | G11 | G12 |
| TXN1 | D3 | D4 | V _{SS} | V _{SS} | V _{SS} | V _{DD} | V _{DD} | V _{DD} | N.C. | N.C. | TXP2 |
| H1 | H2 | H3 | H4 | H5 | H6 | H7 | H8 | H9 | H10 | H11 | H12 |
| RST | D5 | D6 | JTDI | V _{SS} | V _{SS} | V _{DD} | V _{DD} | N.C. | N.C. | TTS2 | TCLK2 |
| J1 | J2 | J3 | J4 | J5 | J6 | J7 | J8 | J9 | J10 | J11 | J12 |
| N.C. | N.C. | D7 | JTDO | TEST | V _{SS} | V _{DD} | HIZ | N.C. | TDM2 | TNEG2 | TPOS2 |
| K1 | K2 | K3 | K4 | K5 | K6 | K7 | K8 | K9 | K10 | K11 | K12 |
| N.C. | N.C. | N.C. | N.C. | N.C. | A0 | A2 | A4 | N.C. | RNEG2 | RPOS2 | RCLK2 |
| L1 | L2 | L3 | L4 | L5 | L6 | L7 | L8 | L9 | L10 | L11 | L12 |
| N.C. | N.C. | N.C. | N.C. | N.C. | A1 | A3 | A5 | N.C. | N.C. | RTS2 | PRBS2 |
| M1 | M2 | M3 | M4 | M5 | M6 | M7 | M8 | M9 | M10 | M11 | M12 |
| N.C. | N.C. | N.C. | N.C. | N.C. | N.C. | N.C. | STMCLK | N.C. | RXP2 | RXN2 | RLOS2 |

| | |
|--|--------------------|
| | High-Speed Analog |
| | High-Speed Digital |
| | Low-Speed Digital |
| | V _{DD} |
| | V _{SS} |

Figure 18-9. DS3253 SPI Bus Mode Pin Assignment

| | | | | | | | | | | | |
|-------|-------|-------|-----------------|-----------------|-----------------|-----------------|-----------------|-----------------|-------|-------|--------|
| A1 | A2 | A3 | A4 | A5 | A6 | A7 | A8 | A9 | A10 | A11 | A12 |
| RLOS1 | RXN1 | RXP1 | N.C. | T3MCLK | TXN3 | TXP3 | TCLK3 | TPOS3 | RCLK3 | PRBS3 | RLOS3 |
| B1 | B2 | B3 | B4 | B5 | B6 | B7 | B8 | B9 | B10 | B11 | B12 |
| PRBS1 | RTS1 | N.C. | N.C. | WR | RD | CS | TTS3 | TNEG3 | RPOS3 | RTS3 | RXN3 |
| C1 | C2 | C3 | C4 | C5 | C6 | C7 | C8 | C9 | C10 | C11 | C12 |
| RCLK1 | RPOS1 | RNEG1 | N.C. | INT | MOT | ALE | N.C. | TDM3 | RNEG3 | N.C. | RXP3 |
| D1 | D2 | D3 | D4 | D5 | D6 | D7 | D8 | D9 | D10 | D11 | D12 |
| TPOS1 | TNEG1 | TDM1 | JTRST | JTMS | V _{DD} | V _{SS} | N.C. | N.C. | N.C. | N.C. | N.C. |
| E1 | E2 | E3 | E4 | E5 | E6 | E7 | E8 | E9 | E10 | E11 | E12 |
| TCLK1 | TTS1 | SDO | JTCLK | V _{DD} | V _{DD} | V _{SS} | V _{SS} | HW | N.C. | N.C. | E3MCLK |
| F1 | F2 | F3 | F4 | F5 | F6 | F7 | F8 | F9 | F10 | F11 | F12 |
| TXP1 | SDI | SCLK | V _{DD} | V _{DD} | V _{DD} | V _{SS} | V _{SS} | V _{SS} | N.C. | N.C. | TXN2 |
| G1 | G2 | G3 | G4 | G5 | G6 | G7 | G8 | G9 | G10 | G11 | G12 |
| TXN1 | N.C. | N.C. | V _{SS} | V _{SS} | V _{SS} | V _{DD} | V _{DD} | V _{DD} | N.C. | N.C. | TXP2 |
| H1 | H2 | H3 | H4 | H5 | H6 | H7 | H8 | H9 | H10 | H11 | H12 |
| RST | N.C. | CPHA | JTDI | V _{SS} | V _{SS} | V _{DD} | V _{DD} | N.C. | N.C. | TTS2 | TCLK2 |
| J1 | J2 | J3 | J4 | J5 | J6 | J7 | J8 | J9 | J10 | J11 | J12 |
| N.C. | N.C. | CPOL | JTDO | TEST | V _{SS} | V _{DD} | HIZ | N.C. | TDM2 | TNEG2 | TPOS2 |
| K1 | K2 | K3 | K4 | K5 | K6 | K7 | K8 | K9 | K10 | K11 | K12 |
| N.C. | N.C. | N.C. | N.C. | N.C. | N.C. | N.C. | N.C. | N.C. | RNEG2 | RPOS2 | RCLK2 |
| L1 | L2 | L3 | L4 | L5 | L6 | L7 | L8 | L9 | L10 | L11 | L12 |
| N.C. | N.C. | N.C. | N.C. | N.C. | N.C. | N.C. | N.C. | N.C. | N.C. | RTS2 | PRBS2 |
| M1 | M2 | M3 | M4 | M5 | M6 | M7 | M8 | M9 | M10 | M11 | M12 |
| N.C. | N.C. | N.C. | N.C. | N.C. | N.C. | N.C. | STMCLK | N.C. | RXP2 | RXN2 | RLOS2 |

| | |
|--|--------------------|
| | High-Speed Analog |
| | High-Speed Digital |
| | Low-Speed Digital |
| | V _{DD} |
| | V _{SS} |

Figure 18-10. DS3254 Hardware Mode Pin Assignment

| | | | | | | | | | | | |
|-------|-------|-------|-----------------|-----------------|-----------------|-----------------|-----------------|-----------------|-------|-------|--------|
| A1 | A2 | A3 | A4 | A5 | A6 | A7 | A8 | A9 | A10 | A11 | A12 |
| RLOS1 | RXN1 | RXP1 | RMON1 | T3MCLK | TXN3 | TXP3 | TCLK3 | TPOS3 | RCLK3 | PRBS3 | RLOS3 |
| B1 | B2 | B3 | B4 | B5 | B6 | B7 | B8 | B9 | B10 | B11 | B12 |
| PRBS1 | RTS1 | N.C. | RJA1 | LLB1 | TDSA3 | STS3 | TTS3 | TNEG3 | RPOS3 | RTS3 | RXN3 |
| C1 | C2 | C3 | C4 | C5 | C6 | C7 | C8 | C9 | C10 | C11 | C12 |
| RCLK1 | RPOS1 | RNEG1 | TJA1 | RLB1 | TDSB3 | E3M3 | TLBO3 | TDM3 | RNEG3 | N.C. | RXP3 |
| D1 | D2 | D3 | D4 | D5 | D6 | D7 | D8 | D9 | D10 | D11 | D12 |
| TPOS1 | TNEG1 | TDM1 | JTRST | JTMS | V _{DD} | V _{SS} | TBIN | RBIN | TJA3 | RJA3 | RMON3 |
| E1 | E2 | E3 | E4 | E5 | E6 | E7 | E8 | E9 | E10 | E11 | E12 |
| TCLK1 | TTS1 | TLBO1 | JTCLK | V _{DD} | V _{DD} | V _{SS} | V _{SS} | HW | RLB3 | LLB3 | E3MCLK |
| F1 | F2 | F3 | F4 | F5 | F6 | F7 | F8 | F9 | F10 | F11 | F12 |
| TXP1 | STS1 | E3M1 | V _{DD} | V _{DD} | V _{DD} | V _{SS} | V _{SS} | V _{SS} | TDSB2 | TDSA2 | TXN2 |
| G1 | G2 | G3 | G4 | G5 | G6 | G7 | G8 | G9 | G10 | G11 | G12 |
| TXN1 | TDSA1 | TDSB1 | V _{SS} | V _{SS} | V _{SS} | V _{DD} | V _{DD} | V _{DD} | E3M2 | STS2 | TXP2 |
| H1 | H2 | H3 | H4 | H5 | H6 | H7 | H8 | H9 | H10 | H11 | H12 |
| RST | LLB4 | RLB4 | JTDI | V _{SS} | V _{SS} | V _{DD} | V _{DD} | TCINV | TLBO2 | TTS2 | TCLK2 |
| J1 | J2 | J3 | J4 | J5 | J6 | J7 | J8 | J9 | J10 | J11 | J12 |
| RMON4 | RJA4 | TJA4 | JTDO | TEST | V _{SS} | V _{DD} | HIZ | RCINV | TDM2 | TNEG2 | TPOS2 |
| K1 | K2 | K3 | K4 | K5 | K6 | K7 | K8 | K9 | K10 | K11 | K12 |
| RXP4 | N.C. | RNEG4 | TDM4 | TLBO4 | E3M4 | TDSB4 | RLB2 | TJA2 | RNEG2 | RPOS2 | RCLK2 |
| L1 | L2 | L3 | L4 | L5 | L6 | L7 | L8 | L9 | L10 | L11 | L12 |
| RXN4 | RTS4 | RPOS4 | TNEG4 | TTS4 | STS4 | TDSA4 | LLB2 | RJA2 | N.C. | RTS2 | PRBS2 |
| M1 | M2 | M3 | M4 | M5 | M6 | M7 | M8 | M9 | M10 | M11 | M12 |
| RLOS4 | PRBS4 | RCLK4 | TPOS4 | TCLK4 | TXP4 | TXN4 | STMCLK | RMON2 | RXP2 | RXN2 | RLOS2 |

| | |
|---|--------------------|
| ■ | High-Speed Analog |
| ■ | High-Speed Digital |
| ■ | Low-Speed Digital |
| ■ | V _{DD} |
| ■ | V _{SS} |

Figure 18-11. DS3254 Parallel Bus Mode Pin Assignment

| | | | | | | | | | | | |
|-------|-------|-------|-----------------|-----------------|-----------------|-----------------|-----------------|-----------------|-------|-------|--------|
| A1 | A2 | A3 | A4 | A5 | A6 | A7 | A8 | A9 | A10 | A11 | A12 |
| RLOS1 | RXN1 | RXP1 | N.C. | T3MCLK | TXN3 | TXP3 | TCLK3 | TPOS3 | RCLK3 | PRBS3 | RLOS3 |
| B1 | B2 | B3 | B4 | B5 | B6 | B7 | B8 | B9 | B10 | B11 | B12 |
| PRBS1 | RTS1 | N.C. | N.C. | WR | RD | CS | TTS3 | TNEG3 | RPOS3 | RTS3 | RXN3 |
| C1 | C2 | C3 | C4 | C5 | C6 | C7 | C8 | C9 | C10 | C11 | C12 |
| RCLK1 | RPOS1 | RNEG1 | N.C. | INT | MOT | ALE | N.C. | TDM3 | RNEG3 | N.C. | RXP3 |
| D1 | D2 | D3 | D4 | D5 | D6 | D7 | D8 | D9 | D10 | D11 | D12 |
| TPOS1 | TNEG1 | TDM1 | JTRST | JTMS | V _{DD} | V _{SS} | N.C. | N.C. | N.C. | N.C. | N.C. |
| E1 | E2 | E3 | E4 | E5 | E6 | E7 | E8 | E9 | E10 | E11 | E12 |
| TCLK1 | TTS1 | D0 | JTCLK | V _{DD} | V _{DD} | V _{SS} | V _{SS} | HW | N.C. | N.C. | E3MCLK |
| F1 | F2 | F3 | F4 | F5 | F6 | F7 | F8 | F9 | F10 | F11 | F12 |
| TXP1 | D1 | D2 | V _{DD} | V _{DD} | V _{DD} | V _{SS} | V _{SS} | V _{SS} | N.C. | N.C. | TXN2 |
| G1 | G2 | G3 | G4 | G5 | G6 | G7 | G8 | G9 | G10 | G11 | G12 |
| TXN1 | D3 | D4 | V _{SS} | V _{SS} | V _{SS} | V _{DD} | V _{DD} | V _{DD} | N.C. | N.C. | TXP2 |
| H1 | H2 | H3 | H4 | H5 | H6 | H7 | H8 | H9 | H10 | H11 | H12 |
| RST | D5 | D6 | JTDI | V _{SS} | V _{SS} | V _{DD} | V _{DD} | N.C. | N.C. | TTS2 | TCLK2 |
| J1 | J2 | J3 | J4 | J5 | J6 | J7 | J8 | J9 | J10 | J11 | J12 |
| N.C. | N.C. | D7 | JTDO | TEST | V _{SS} | V _{DD} | HIZ | N.C. | TDM2 | TNEG2 | TPOS2 |
| K1 | K2 | K3 | K4 | K5 | K6 | K7 | K8 | K9 | K10 | K11 | K12 |
| RXP4 | N.C. | RNEG4 | TDM4 | N.C. | A0 | A2 | A4 | N.C. | RNEG2 | RPOS2 | RCLK2 |
| L1 | L2 | L3 | L4 | L5 | L6 | L7 | L8 | L9 | L10 | L11 | L12 |
| RXN4 | RTS4 | RPOS4 | TNEG4 | TTS4 | A1 | A3 | A5 | N.C. | N.C. | RTS2 | PRBS2 |
| M1 | M2 | M3 | M4 | M5 | M6 | M7 | M8 | M9 | M10 | M11 | M12 |
| RLOS4 | PRBS4 | RCLK4 | TPOS4 | TCLK4 | TXP4 | TXN4 | STMCLK | N.C. | RXP2 | RXN2 | RLOS2 |

| | |
|--|--------------------|
| | High-Speed Analog |
| | High-Speed Digital |
| | Low-Speed Digital |
| | V _{DD} |
| | V _{SS} |

Figure 18-12. DS3254 SPI Bus Mode Pin Assignment

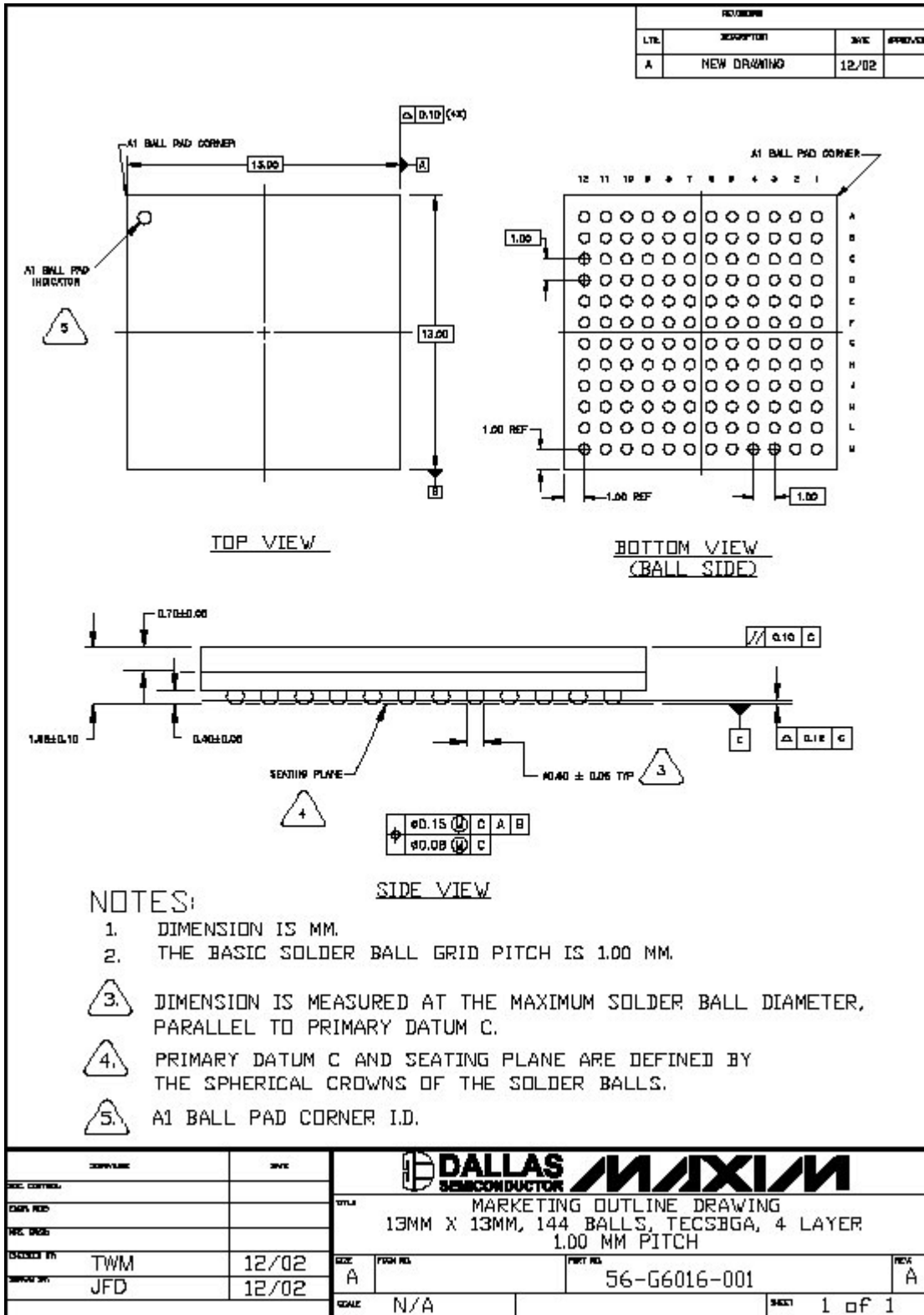
| | | | | | | | | | | | |
|-------|-------|-------|-----------------|-----------------|-----------------|-----------------|-----------------|-----------------|-------|-------|--------|
| A1 | A2 | A3 | A4 | A5 | A6 | A7 | A8 | A9 | A10 | A11 | A12 |
| RLOS1 | RXN1 | RXP1 | N.C. | T3MCLK | TXN3 | TXP3 | TCLK3 | TPOS3 | RCLK3 | PRBS3 | RLOS3 |
| B1 | B2 | B3 | B4 | B5 | B6 | B7 | B8 | B9 | B10 | B11 | B12 |
| PRBS1 | RTS1 | N.C. | N.C. | WR | RD | CS | TTS3 | TNEG3 | RPOS3 | RTS3 | RXN3 |
| C1 | C2 | C3 | C4 | C5 | C6 | C7 | C8 | C9 | C10 | C11 | C12 |
| RCLK1 | RPOS1 | RNEG1 | N.C. | INT | MOT | ALE | N.C. | TDM3 | RNEG3 | N.C. | RXP3 |
| D1 | D2 | D3 | D4 | D5 | D6 | D7 | D8 | D9 | D10 | D11 | D12 |
| TPOS1 | TNEG1 | TDM1 | JTRST | JTMS | V _{DD} | V _{SS} | N.C. | N.C. | N.C. | N.C. | N.C. |
| E1 | E2 | E3 | E4 | E5 | E6 | E7 | E8 | E9 | E10 | E11 | E12 |
| TCLK1 | TTS1 | SDO | JTCLK | V _{DD} | V _{DD} | V _{SS} | V _{SS} | HW | N.C. | N.C. | E3MCLK |
| F1 | F2 | F3 | F4 | F5 | F6 | F7 | F8 | F9 | F10 | F11 | F12 |
| TXP1 | SDI | SCLK | V _{DD} | V _{DD} | V _{DD} | V _{SS} | V _{SS} | V _{SS} | N.C. | N.C. | TXN2 |
| G1 | G2 | G3 | G4 | G5 | G6 | G7 | G8 | G9 | G10 | G11 | G12 |
| TXN1 | N.C. | N.C. | V _{SS} | V _{SS} | V _{SS} | V _{DD} | V _{DD} | V _{DD} | N.C. | N.C. | TXP2 |
| H1 | H2 | H3 | H4 | H5 | H6 | H7 | H8 | H9 | H10 | H11 | H12 |
| RST | N.C. | CPHA | JTDI | V _{SS} | V _{SS} | V _{DD} | V _{DD} | N.C. | N.C. | TTS2 | TCLK2 |
| J1 | J2 | J3 | J4 | J5 | J6 | J7 | J8 | J9 | J10 | J11 | J12 |
| N.C. | N.C. | CPOL | JTDO | TEST | V _{SS} | V _{DD} | HIZ | N.C. | TDM2 | TNEG2 | TPOS2 |
| K1 | K2 | K3 | K4 | K5 | K6 | K7 | K8 | K9 | K10 | K11 | K12 |
| RXP4 | N.C. | RNEG4 | TDM4 | N.C. | N.C. | N.C. | N.C. | N.C. | RNEG2 | RPOS2 | RCLK2 |
| L1 | L2 | L3 | L4 | L5 | L6 | L7 | L8 | L9 | L10 | L11 | L12 |
| RXN4 | RTS4 | RPOS4 | TNEG4 | TTS4 | N.C. | N.C. | N.C. | N.C. | N.C. | RTS2 | PRBS2 |
| M1 | M2 | M3 | M4 | M5 | M6 | M7 | M8 | M9 | M10 | M11 | M12 |
| RLOS4 | PRBS4 | RCLK4 | TPOS4 | TCLK4 | TXP4 | TXN4 | STMCLK | N.C. | RXP2 | RXN2 | RLOS2 |

| | |
|--|--------------------|
| | High-Speed Analog |
| | High-Speed Digital |
| | Low-Speed Digital |
| | V _{DD} |
| | V _{SS} |

19. PACKAGE INFORMATION

(The package drawing(s) in this data sheet may not reflect the most current specifications. The package number provided for each package is a link to the latest package outline information.)

19.1 144-Pin TE-CSBGA (56-G6016-001)



20. THERMAL INFORMATION

Table 20-A. Thermal Properties, Natural Convection

| PARAMETER | MIN | TYP | MAX |
|--|-------|----------|--------|
| Ambient Temperature (Note 1) | -40°C | — | +85°C |
| Junction Temperature | -40°C | — | +125°C |
| Theta-JA (θ_{JA}), Still Air (Note 2) | | 22.4°C/W | |
| Psi-JB | | 9.2°C/W | |
| Psi-JT | | 1.6°C/W | |

Note 1: The package is mounted on a four-layer JEDEC standard test board with no airflow and dissipating maximum power.

Note 2: Theta-JA (θ_{JA}) is the junction to ambient thermal resistance, when the package is mounted on a four-layer JEDEC standard test board with no airflow and dissipating maximum power.

Table 20-B. Theta-JA (θ_{JA}) vs. Airflow

| FORCED AIR (METERS PER SECOND) | THETA-JA (θ_{JA}) |
|--------------------------------|----------------------------|
| 0 | 22.4°C/W |
| 1 | 19.0°C/W |
| 2.5 | 17.2°C/W |

21. REVISION HISTORY

| REVISION | DESCRIPTION |
|----------|---|
| 031805 | New Product Release (DS3254) |
| 061705 | New Product Release (DS3251/DS3252/DS3253) |
| 030106 | Added requirement that ALE pin must be high when using the SPI interface: Figure 4-1 (at the bottom), the second paragraph of Section 5, Table 6-F, the first paragraph of Section 15.2, Table 18-A, Figure 18-3, Figure 18-6, Figure 18-9, and Figure 18-12. |

SITE
SEARCHPART NO.
SEARCH

WHAT'S NEW

PRODUCTS

SOLUTIONS

DESIGN

APPNOTES

SUPPORT

BUY

COMPANY

MEMBERS

DS3253

Part Number Table

Notes:

1. See the [DS3253 QuickView Data Sheet](#) for further information on this product family or download the [DS3253 full data sheet](#) (PDF, 908kB).
2. Other options and links for purchasing parts are listed at: <http://www.maxim-ic.com/sales>.
3. [Didn't Find What You Need?](#) Ask our applications engineers. Expert assistance in finding parts, usually within one business day.
4. Part number suffixes: T or T&R = tape and reel; + = RoHS/lead-free; # = RoHS/lead-exempt. More: See [full data sheet](#) or [Part Naming Conventions](#).
5. * Some packages have variations, listed on the drawing. "PkgCode/Variation" tells which variation the product uses.

| Part Number | Free Sample | Buy Direct | Package: TYPE PINS SIZE DRAWING CODE/VAR * | Temp | RoHS/Lead-Free? Materials Analysis |
|-------------|--------------------------|--------------------------|--|--------------|---|
| DS3253NA3 | <input type="checkbox"/> | <input type="checkbox"/> | CSBGA;144 pin;512 Dwg: 56-G6016-001B (PDF) Use pkgcode/variation: X144T-1* | -40C to +85C | RoHS/Lead-Free: No Materials Analysis |
| DS3253 | <input type="checkbox"/> | <input type="checkbox"/> | CSBGA;144 pin;512 Dwg: 56-G6016-001B (PDF) Use pkgcode/variation: X144T-1* | 0C to +70C | RoHS/Lead-Free: No Materials Analysis |
| DS3253+ | <input type="checkbox"/> | <input type="checkbox"/> | CSBGA;144 pin;512 Dwg: 56-G6016-001B (PDF) Use pkgcode/variation: X144+1* | 0C to +70C | RoHS/Lead-Free: Yes |
| DS3253N | <input type="checkbox"/> | <input type="checkbox"/> | CSBGA;144 pin;512 Dwg: 56-G6016-001B (PDF) Use pkgcode/variation: X144T-1* | -40C to +85C | RoHS/Lead-Free: No Materials Analysis |
| DS3253N+ | <input type="checkbox"/> | <input type="checkbox"/> | CSBGA;144 pin;512 Dwg: 56-G6016-001B (PDF) Use pkgcode/variation: X144+1* | -40C to +85C | RoHS/Lead-Free: Yes |
| DS3253DK | <input type="checkbox"/> | <input type="checkbox"/> | | 0C to +70C | RoHS/Lead-Free: No |

[Didn't Find What You Need?](#)

[CONTACT US: SEND US AN EMAIL](#)

Copyright 2007 by Maxim Integrated Products, Dallas Semiconductor • [Legal Notices](#) • [Privacy Policy](#)