

Industrial 15/16" (24mm) diameter 1/2 watt composition variable resistor

The CTS 450 Stock Pot™ Program provides immediate off-the-shelf availability from select CTS distributors. The program offers a choice of 11 of the most commonly used resistance values, linear or 10% logarithmic tapers and 17 popular plug in shafts which can be quickly assembled.

- Off-the-shelf availability
- Choice of linear or 10% logarithmic tapers
- Wide resistance range
- ±20% resistance tolerance
- Available with four shaft styles: knurled and slotted, flatted or round, with a wide selection of lengths and styles. Generally eliminates the need for cutting or modification.
- Economical even in limited volume applications
- Supplied with mounting hardware



Electrical and Mechanical Specifications

Resistance Range

500 ohms through 1 Megohm

Resistance Tolerance

Standard ±20%

Power Rating, Watts

Through 10K ohms, 1/2 watt; above 100K ohms through 100K ohms, 1/3 watt; above 100K ohms, 1/4 watt

Voltage Rating

Bushing to terminals:
High pot test, one minute — 1080 VAC
Operating maximum — 750 VDC

Shaft Information

Diameter: .250" (6.35mm)

Angle of Rotation

Total Rotation: 300 degrees, ±5°
Effective Rotation: approximately 300 degrees

Bushing Information

Material: diecast zinc
Diameter: EIA std. 3/8 – 32 UNEF-2A thread
Length: 3/8" ±1/64" (9.53mm ± 0.39mm)
Available with 3/8" – 32 UNEF-2A thread only

Terminal Information

Solder lug, PC formed to rear

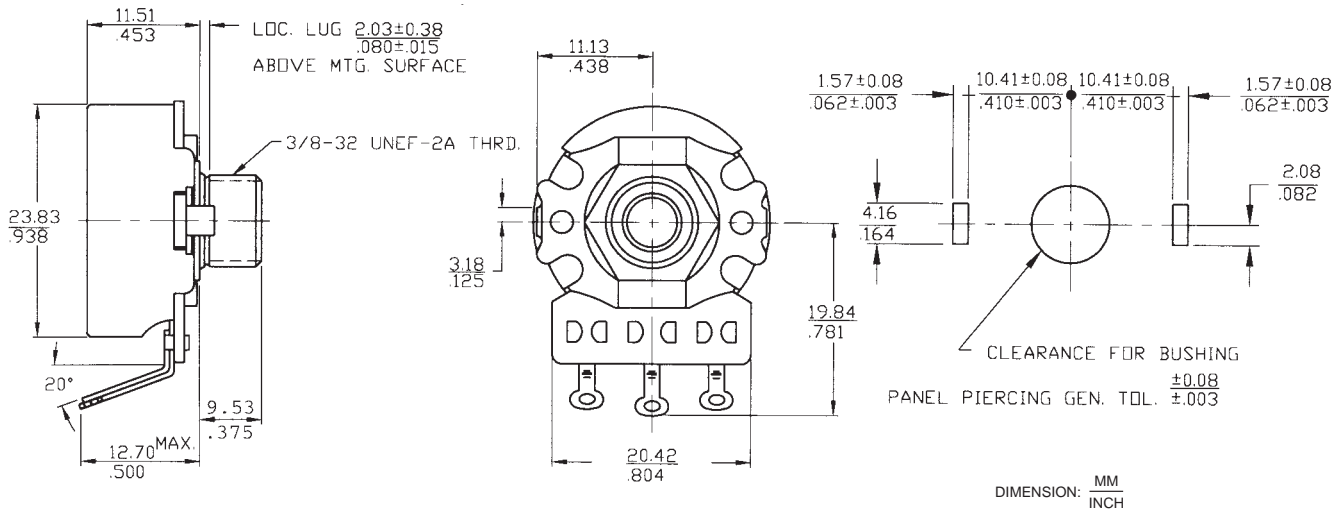
Locating Lug

Left side, terminals down

Optional Switch

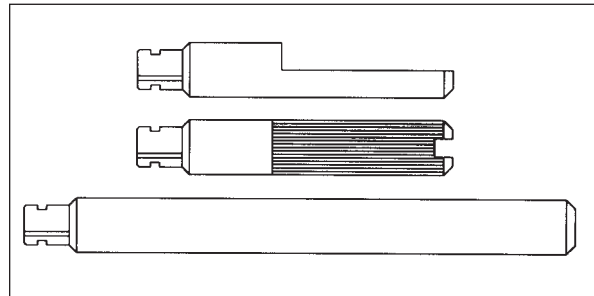
SPST rotary switch 050 is available with limited shaft and resistance options. See ordering information.

CTS Type 450 Stock Pot™



Plug In Shafts

Popular shaft styles are available with trim selections including screwdriver slot (.047" wide x .063" or 1.19mm x 1.60mm), flat (molded shaft flat is .156" wide x .500" long or 3.96mm x 12.7mm, brass shaft flat is .375" x .156" or 9.53mm x 3.69mm), knurled and slotted (diameter over knurl molded is .240" - .246" or 6.10 - 6.25 mm, brass is .231" - .241" or 5.87 - 6.12 mm), or full round.



See trim selections and shaft details in chart below.

Ordering Information

450 T A103 E M4 S

TERMINAL STYLE
T - SOLDER LUG
V - PC FORMED TO REAR

MOUNTING STYLE
B - 3/8" DIECAST BUSHING
E - EAR MOUNT

SWITCH
BLANK - NO SWITCH
S - SPST Rotary 050
Switch is supplied with an assembled molded shaft.
Shaft Option M5 Only

RESISTANCE OHMS	LOG A TAPER	or	LINEAR D TAPER
500	—		D501
1K	A102		D102
2.5K	A252		D252
5K	A502		D502
10K	A103		D103
25K	A253		D253
50K	A503		D503
100K	A104		D104
250K	A254		D254
500K	A504		D504
1M	A105		D105

SHAFT OPTIONS	
BRASS	MOLDED
B1 - 5/8" SD Slot	M1 - 1/2" K&S
B2 - 3/4" SD Slot	M2 - 5/8" K&S
B3 - 7/8" SD Slot	M3 - 3/4" K&S
B4 - 1" SD Slot	M4 - 7/8" K&S
B5 - 3/4" Flat	M5 - 1" K&S
B6 - 7/8" Flat	M6 - 7/8" Flat
B7 - 1" Flat	M7 - 1" Flat
B8 - 3/4" K&S	M8 - 2" Round
B9 - 7/8" K&S	
Shaft M5 Required with Switch	

Order From:

CTS CORPORATION, RESISTOR/ELECTROCOMPONENTS / 1601 Mishawaka Street / Elkhart, Indiana 46514
 North America Toll Free (888) 287-4690 / (219) 296-6700 / FAX: (219) 293-1240 <http://www.ctscorp.com>

CTS COMPONENTS TAIWAN, LTD. / 7, Central 6th Road (Chung Liu Road) / P.O. Box 26-20
 Kaohsiung Export Processing Zone / Kaohsiung, Taiwan, Rep. of China
 (07) 8216145 / FAX: (07) 8417642.8110040