

2 PHASE OPTERON, ATHLON, OR VR10.X CONTROL IC

DESCRIPTION

The IR3092 Control IC provides a full featured, single chip solution to implement robust power conversion solutions for three different microprocessor families; 1) AMD Opteron, 2) AMD Athlon or 3) Intel VR10.X family of processors. The user can select the appropriate VID range with a single pin. PWM Control and 2 phase gate drive functions are integrated into a single IC. In addition to CPU power, the IR3092 offers a compact, efficient solution for high current POL converters.

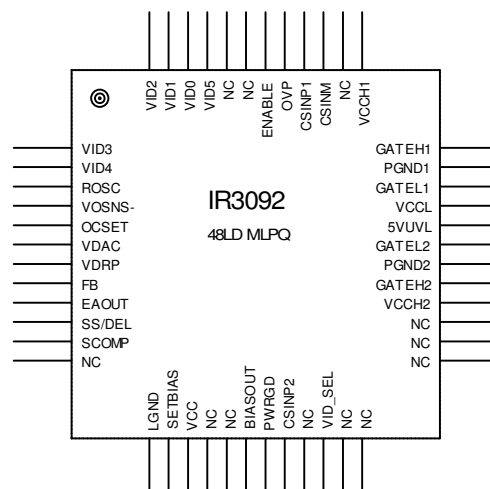
FEATURES

- 5 bit or 6 bit VID with 0.5% overall system accuracy
- Selectable VID Code for AMD Opteron, AMD Athlon or Intel VR10.X
- Programmable Slew Rate response to “On-the-Fly” VID Code Changes
- 3.5A Gate Drive Capability
- Programmable 100KHz to 540KHz oscillator
- Programmable Voltage Positioning (can be disabled)
- Programmable Softstart
- Programmable Hiccup Over-Current Protection with Delay to prevent false triggering
- Simplified Powergood provides indication of proper operation and avoids false triggering
- Operates up to 21V input with 7.8V Under-Voltage Lockout
- 5V UVL with 4.3V Under-Voltage Lockout threshold
- Adjustable Voltage, 150mA Bias Regulator provides MOSFET Drive Voltage
- Enable Input
- OVP Output
- Available in a 48L MLPQ package

ORDERING INFORMATION

| DEVICE | ORDER QUANTITY |
|--------------|------------------|
| IR3092MTRPbF | 3000 per Reel |
| IR3092MPbF | 100 piece strips |

PACKAGE INFORMATION



48L MLPQ
 (7 x 7 mm Body)
 $\theta_{JA} = 27^{\circ}\text{C/W}$

PIN DESCRIPTION

| PIN# | PIN SYMBOL | PIN DESCRIPTION |
|-------|------------|--|
| 1 | VID3 | Inputs to VID D to A Converter |
| 2 | VID4 | Inputs to VID D to A Converter |
| 3 | ROSC | Connect a resistor to VOSNS- to program oscillator frequency and FB, OCSET, BBFB, and VDAC bias currents |
| 4 | VOSNS- | Remote Sense Input. Connect to ground at the Load. |
| 5 | OCSET | Programs the hiccup over-current threshold through an external resistor tied to VDAC and an internal current source. |
| 6 | VDAC | Regulated voltage programmed by the VID inputs. Current Sensing and Over Current Protection are referenced to this pin. Connect an external RC network to VOSNS- to program Dynamic VID slew rate. |
| 7 | VDRP | Buffered IIN signal. Connect an external RC network to FB to program converter output impedance |
| 8 | FB | Inverting input to the Error Amplifier. Converter output voltage is offset from the VDAC voltage through an external resistor connected to the converter output voltage at the load and an internal current source. Bias current is a function of ROSC. Also OVPsense. |
| 9 | EAOUT | Output of the Error Amplifier |
| 10 | SS/DEL | Controls Converter Softstart, Power Good, and Over-Current Timing. Connect an external capacitor to LGND to program the timing. |
| 11 | SCOMP | Compensation for the Current Share control loop. Connect a capacitor to ground to set the control loop's bandwidth. Phase 2 is forced to match phase 1's current. |
| 12 | N/C | No Connect. |
| 13 | LGND | Local Ground and IC substrate connection |
| 14 | SETBIAS | External resistor to ground sets voltage at BIASOUT pin. Bias current is a function of ROSC. |
| 15 | VCC | Power for internal circuitry and source for BIASOUT regulator |
| 16-17 | N/C | No Connect. |
| 18 | BIASOUT | 150mA open-looped regulated voltage set by SETBIAS for GATE drive bias. |
| 19 | PWRGD | Open Collector output that drives low during Softstart or any fault condition. Connect external pull-up. |
| 20 | CSINP2 | Non-inverting input to the Phase 2 Current Sense Amplifier. |
| 21 | N/C | No Connect. |
| 22 | VID_SEL | Ground Selects VR10 VID, Float Selects OPTERON VID, VCC Selects ATHLON VID |
| 23-27 | N/C | No Connect. |
| 28 | VCCH2 | Power for Phase 2 High-Side Gate Driver |
| 29 | GATEH2 | Phase 2 High-Side Gate Driver Output and input to GATEL2 non-overlap comparator. |
| 30 | PGND2 | Return for Phase 2 Gate Drivers |
| 31 | GATEL2 | Phase 2 Low-Side Gate Driver Output and input to GATEH2 non-overlap comparator. |
| 32 | 5VUVL | Can be used to monitor the driver supply voltage or 5V supply voltage when converting from 5V. An under voltage condition initiates Soft Start. |
| 33 | VCCL | Power for Phase 1 and 2 Low-Side Gate Drivers. |
| 34 | GATEL1 | Phase 1 Low-Side Gate Driver Output and input to GATEH1 non-overlap comparator. |
| 35 | PGND1 | Return for Phase 1 Gate Drivers |
| 36 | GATEH1 | Phase 1 High-Side Gate Driver Output and input to GATEL1 non-overlap comparator. |
| 37 | VCCH1 | Power for Phase 1 High-Side Gate Driver |
| 38 | NC | Not connected |
| 39 | CSINM1 | Inverting input to the Phase 1 Current Sense Amplifier. |
| 40 | CSINP1 | Non-inverting input to the Current Sense Amplifier. |
| 41 | OVP | Output that drives high during an Over-Voltage condition. |
| 42 | ENABLE | Enable Input. A logic low applied to this pin puts the IC into Fault mode. |
| 43-44 | N/C | No Connect. |
| 45 | VID5 | Inputs to VID D to A Converter |
| 46 | VID0 | Inputs to VID D to A Converter |
| 47 | VID1 | Inputs to VID D to A Converter |
| 48 | VID2 | Inputs to VID D to A Converter |

ABSOLUTE MAXIMUM RATINGS

Operating Junction Temperature.....150°C
 Storage Temperature Range.....-65°C to 150°C

| PIN | NAME | VMAX | VMIN | ISOURCE | ISINK |
|-----|---------|------|-------------------------|------------------------|------------------------|
| 1 | VID3 | 30V | -0.3V | 1mA | 1mA |
| 2 | VID4 | 30V | -0.3V | 1mA | 1mA |
| 3 | ROSC | 30V | -0.5V | 1mA | 1mA |
| 4 | VOSNS- | 0.5V | -0.5V | 10mA | 10mA |
| 5 | OCSET | 30V | -0.3V | 1mA | 1mA |
| 6 | VDAC | 30V | -0.3V | 1mA | 1mA |
| 7 | VDRP | 30V | -0.3V | 5mA | 5mA |
| 8 | FB | 30V | -0.3V | 1mA | 1mA |
| 9 | EAOUT | 10V | -0.3V | 10mA | 20mA |
| 10 | SS/DEL | 30V | -0.3V | 1mA | 1mA |
| 11 | SCOMP | 30V | -0.3V | 5mA | 5mA |
| 12 | N/C | n/a | n/a | n/a | n/a |
| 13 | LGND | n/a | n/a | 50mA | 1mA |
| 14 | SETBIAS | 30V | -0.3V | 1mA | 1mA |
| 15 | VCC | 30V | -0.3V | 1mA | 250mA |
| 16 | N/C | n/a | n/a | n/a | n/a |
| 17 | N/C | n/a | n/a | n/a | n/a |
| 18 | BIASOUT | 30V | -0.3V | 250mA | 1mA |
| 19 | PWRGD | 30V | -0.3V | 1mA | 20mA |
| 20 | CSINP2 | 30V | -0.3V | 250mA | 1mA |
| 21 | N/C | n/a | n/a | n/a | n/a |
| 22 | VID_SEL | 30V | -0.3V | 1mA | 1mA |
| 23 | N/C | n/a | n/a | n/a | n/a |
| 24 | N/C | n/a | n/a | n/a | n/a |
| 25 | N/C | n/a | n/a | n/a | n/a |
| 26 | N/C | n/a | n/a | n/a | n/a |
| 27 | N/C | n/a | n/a | n/a | n/a |
| 28 | VCCH2 | 30V | -0.3V | n/a | 3A for 100ns, 200mA DC |
| 29 | GATEH2 | 30V | -0.3V DC, -2V for 100ns | 3A for 100ns, 200mA DC | 3A for 100ns, 200mA DC |
| 30 | PGND2 | 0.3V | -0.3V | 3A for 100ns, 200mA DC | n/a |
| 31 | GATEL2 | 30V | -0.3V DC, -2V for 100ns | 3A for 100ns, 200mA DC | 3A for 100ns, 200mA DC |
| 32 | 5VUVL | 30V | -0.3V | 1mA | 1mA |
| 33 | VCCL | 30V | -0.3V | n/a | 3A for 100ns, 200mA DC |
| 34 | GATEL1 | 30V | -0.3V DC, -2V for 100ns | 3A for 100ns, 200mA DC | 3A for 100ns, 200mA DC |
| 35 | PGND1 | 0.3V | -0.3V | 3A for 100ns, 200mA DC | n/a |
| 36 | GATEH1 | 30V | -0.3V DC, -2V for 100ns | 3A for 100ns, 200mA DC | 3A for 100ns, 200mA DC |
| 37 | VCCH1 | 30V | -0.3V | n/a | 3A for 100ns, 200mA DC |
| 38 | N/C | n/a | n/a | n/a | n/a |
| 39 | CSINM1 | 30V | -0.3V | 250mA | 1mA |
| 40 | CSINP1 | 30V | -0.3V | 250mA | 1mA |
| 41 | OVP | 30V | -0.3V | 1mA | 1mA |
| 42 | ENABLE | 30V | -0.3V | 1mA | 1mA |
| 43 | N/C | n/a | n/a | n/a | n/a |
| 44 | N/C | n/a | n/a | n/a | n/a |
| 45 | VID5 | 30V | -0.3V | 1mA | 1mA |
| 46 | VID0 | 30V | -0.3V | 1mA | 1mA |
| 47 | VID1 | 30V | -0.3V | 1mA | 1mA |
| 48 | VID2 | 30V | -0.3V | 1mA | 1mA |

ELECTRICAL SPECIFICATIONS

Unless otherwise specified, these specifications apply over: $7.3V \leq V_{CC} \leq 21V$, $4V \leq V_{CCL} \leq 14V$,
 $4V \leq V_{CCHX} \leq 28V$, $C_{GATEHX} = 3.3nF$, $C_{GATELX} = 6.8nF$, $0^{\circ}C \leq T_J \leq 125^{\circ}C$

| PARAMETER | TEST CONDITION | MIN | TYP | MAX | UNIT |
|------------------------------|--|------|------|------|------------|
| VDAC Reference | | | | | |
| System Set-Point Accuracy | -0.3V \leq VOSNS- \leq 0.3V, Connect FB to EAOUT, Measure V(EAOUT) – V(VOSNS-) deviation from Table 1. Applies to all VID codes. | | 0.5 | | % |
| Source Current | R _{ROSC} = 42k Ω , VDAC=OCSET | 56 | 62 | 71 | μ A |
| Sink Current | R _{ROSC} = 42k Ω , VDAC=OCSET | 50 | 58 | 67 | μ A |
| VID Input Threshold, INTEL | VID_SEL=0, Referenced to VOSNS- | 0.4 | 0.6 | 0.8 | V |
| VID Input Threshold, AMD | VID_SEL=Float, Referenced to VOSNS- | 1.3 | 1.5 | 1.7 | V |
| VID_SEL OPTERON Threshold | | 1.0 | 1.2 | 1.4 | V |
| VID_SEL ATHLON Threshold | | 3.0 | 3.4 | 3.8 | V |
| VID_SEL Float Voltage | Tracks ATHLON threshold | 2.1 | 2.6 | 3.2 | V |
| VID_SEL Pull-up Resistance | V(VID_SEL)<2.1V | 30 | 60 | 100 | k Ω |
| VID_SEL Pull-down Resistance | V(VID_SEL)>3.2V | 60 | 190 | 375 | k Ω |
| VID Pull-up Current | VID0-5 = 1V | 9 | 15 | 27 | μ A |
| VID Float Voltage | Referenced to LGND | 4.5 | 4.9 | 5.2 | V |
| VID = 11111 Fault Blanking | Delay to PWRGD assertion | 0.5 | 1.7 | 4.1 | μ s |
| Error Amplifier | | | | | |
| Input Offset Voltage | Connect FB to EAOUT, Measure V(EAOUT)-V(VDAC). From Table 1. Applies to all VID codes and -0.3V \leq VOSNS- \leq 0.3V. Note 2. | -5 | -1 | 3 | mV |
| FB Bias Current | R _{ROSC} = 42k Ω | 28 | 30.5 | 33 | μ A |
| DC Gain | Note 1 | 90 | 100 | 105 | dB |
| Gain-Bandwidth Product | Note 1 | 4 | 7 | | MHz |
| Slew Rate | Note 1, 50mV FB signal | | 1.25 | | V/ μ s |
| Source Current | | 280 | 380 | 500 | μ A |
| Sink Current | | .75 | 1.0 | 1.5 | mA |
| Max Voltage | | 4.5 | 4.9 | 5.3 | V |
| Min Voltage | | | 90 | 150 | mV |
| VDRP Buffer Amplifier | | | | | |
| Positioning Offset Voltage | V(VDRP) – V(VDAC) with CSINMX=CSINPX=0, Note 1. | -125 | 0 | 125 | mV |
| Output Voltage Range | | 0.2 | | 3.75 | V |
| Source Current | | 5 | 10 | 20 | mA |
| Sink Current | | 200 | 280 | 400 | μ A |

| PARAMETER | TEST CONDITION | MIN | TYP | MAX | UNIT |
|-----------------------------------|---|------|-------|------|---------------|
| Oscillator | | | | | |
| Switching Frequency | $R_{ROSC} = 42k\Omega$ | 160 | 200 | 240 | kHz |
| Phase1 to Phase2 Shift | GATEH1 rise to GATEH2 rise | 155 | 170 | 190 | ° |
| BIASOUT Regulator | | | | | |
| SETBIAS Bias Current | $R_{ROSC} = 42k\Omega$ | 105 | 115 | 125 | μA |
| Set Point Accuracy | $V(SETBIAS) - V(BIASOUT) @ 100mA$ | 0.1 | 0.3 | 0.55 | V |
| BIASOUT Dropout Voltage | $I(BIASOUT) = 100mA$, Threshold when $V(SETBIAS) - V(BIASOUT) = 0.45V$ | 1.2 | 1.8 | 2.5 | V |
| BIASOUT Current Limit | | 150 | 300 | 450 | mA |
| Soft Start and Delay | | | | | |
| SS/DEL to FB Input Offset Voltage | With FB = 0V, adjust V(SS/DEL) until EAOUT drives high | 0.8 | 1.3 | 1.8 | V |
| Charge Current | | 25 | 55 | 75 | μA |
| Hiccup Discharge Current | | 2.5 | 5.5 | 7.5 | μA |
| OC Discharge Current | | 25 | 45 | 70 | μA |
| Charge/Discharge Current Ratio | | 9 | 10 | 11 | $\mu A/\mu A$ |
| Charge Voltage | | 3.8 | 4.0 | 4.2 | V |
| Delay Comparator Threshold | Relative to Charge Voltage | 200 | 240 | 280 | mV |
| Delay Comparator Hysteresis | | 15 | 30 | 45 | mV |
| Discharge Comparator Threshold | | 200 | 260 | 350 | mV |
| Over-Current Comparator | | | | | |
| Input Offset Voltage | $V(OCSET) - V(VDAC)$, $CSIN = CSINP1 = CSINP2$, Note 1. | -125 | 0 | 125 | mV |
| OCSET Bias Current | $R_{ROSC} = 42k\Omega$ | 28 | 30 | 33 | μA |
| Max OCSET Set Point | | 3.95 | | | V |
| Under-Voltage Lockout | | | | | |
| VCC Start Threshold | | 7.2 | 7.8 | 8.3 | V |
| VCC Stop Threshold | | 6.7 | 7.3 | 7.8 | V |
| VCC Hysteresis | Start – Stop | 450 | 500 | 750 | mV |
| 5VUVL Start Threshold | | 4.05 | 4.3 | 4.55 | V |
| 5VUVL Stop Threshold | | 3.92 | 4.125 | 4.33 | V |
| 5VUVL Hysteresis | Start – Stop | 100 | 175 | 250 | mV |
| 5VUVL Input Resistance | To LGND | 24 | 36 | 72 | k Ω |
| PWRGD Output | | | | | |
| Output Voltage | $I(PWRGD) = 4mA$ | | 150 | 300 | mV |
| Leakage Current | $V(PWRGD) = 5.5V$ | | 0 | 10 | μA |
| Enable Input | | | | | |
| Threshold, INTEL | VID_SEL=0, Referenced to VOSNS- | 0.4 | 0.6 | 0.8 | V |
| Threshold, AMD | VID_SEL=Float, Referenced to VOSNS- | 1.3 | 1.5 | 1.7 | V |
| Input Resistance | | 7.5 | 15 | 20 | k Ω |
| Pull-up Voltage | | 2.4 | 3.0 | 3.7 | V |

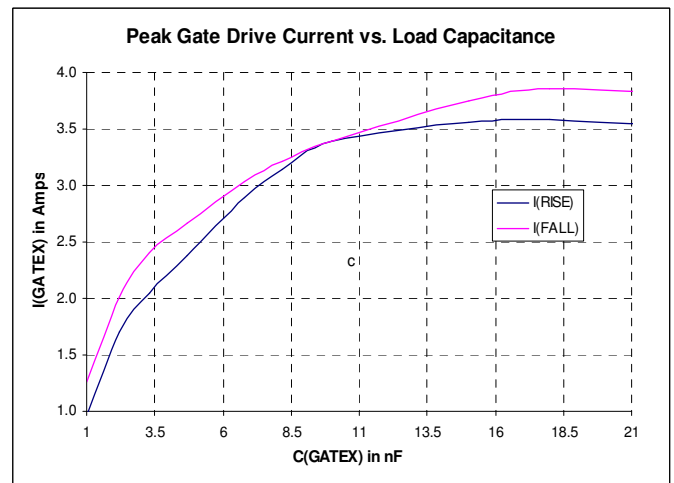
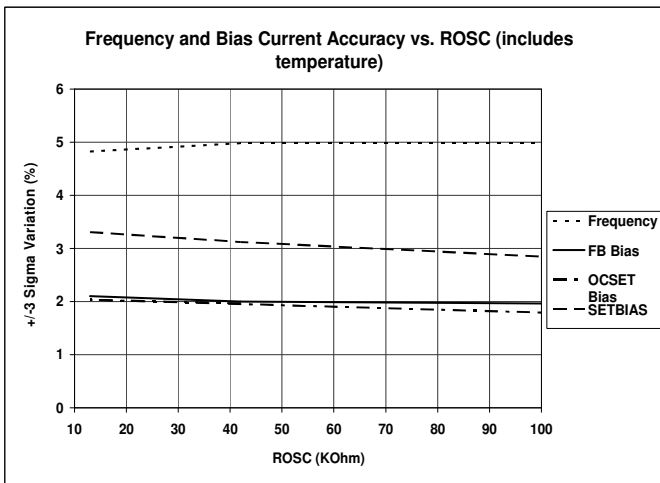
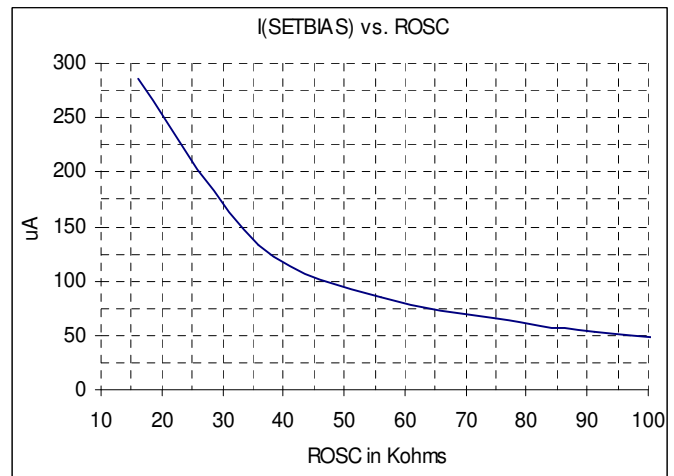
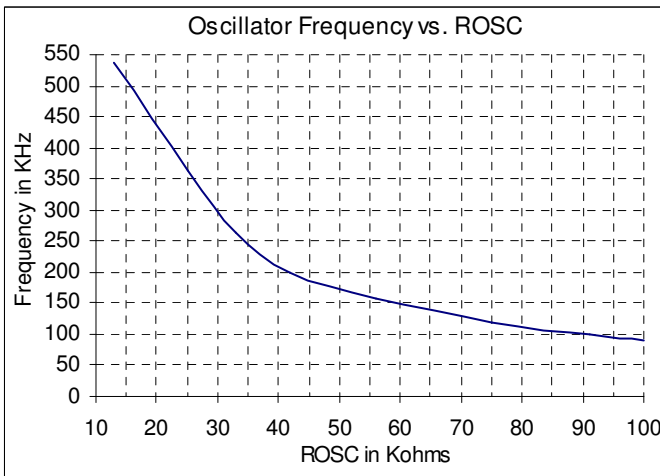
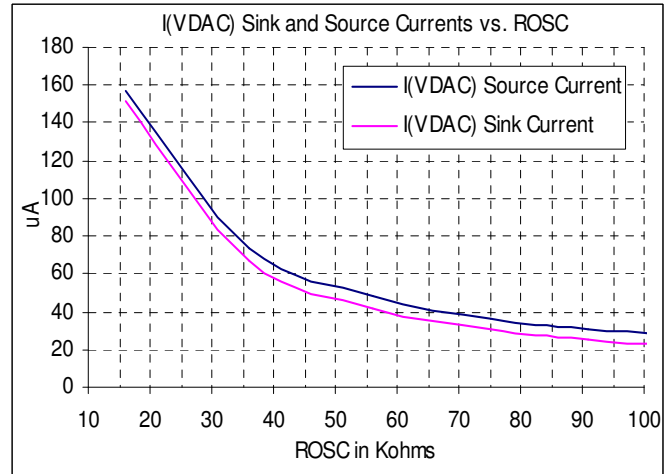
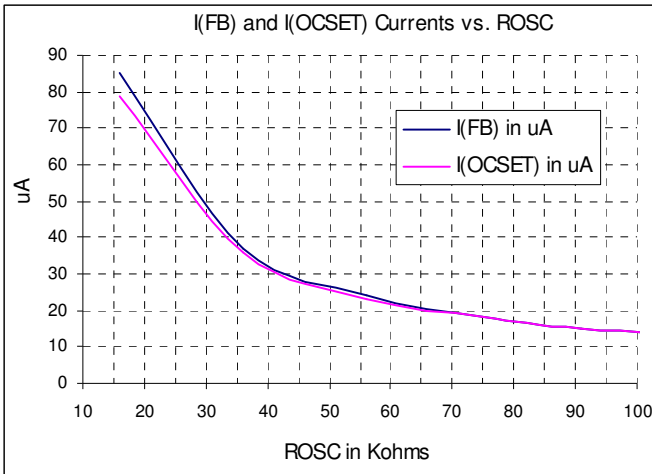
| PARAMETER | TEST CONDITION | MIN | TYP | MAX | UNIT |
|---------------------------------|---|------|------|------|-----------|
| Gate Drivers | | | | | |
| GATEH Rise Time | VCCHX = 12V, Measure 2V to 9V transition time, Note 1 | | 11 | 40 | ns |
| GATEH Fall Time | VCCHX = 12V, Measure 9V to 2V transition time, Note 1 | | 11 | 40 | ns |
| GATEL Rise Time | VCCL = 12V, Measure 2V to 9V transition time, Note 1 | | 20 | 65 | ns |
| GATEL Fall Time | VCCL = 12V, Measure 9V to 2V transition time, Note 1 | | 20 | 65 | ns |
| High Voltage (AC) | Measure VCCL – GATELX or VCCHX – GATEHX, Note 1 | | 0 | 0.5V | V |
| Low Voltage (AC) | Measure GATELX or GATEHX, Note 1 | | 0 | 0.5V | V |
| GATEL low to GATEH high delay | VCCHX = VCCL = 12V, Measure the time from GATELX falling to 2V to GATEHX rising to 2V, Note 1 | 20 | 35 | 60 | ns |
| GATEH low to GATEL high delay | VCCHX = VCCL = 12V, Measure the time from GATEHX falling to 2V to GATELX rising to 2V, Note 1 | 20 | 35 | 60 | ns |
| Disable Pull-Down Current | GATHX or GATELX=2V with VCC = 0V. Measure Gate pull-down current | 20 | 35 | 50 | μA |
| PWM Comparator | | | | | |
| Propagation Delay | VCCHX = VCCL = 12V, Measure the time from EAOUT fall crossing VDAC to GATEHX falling to 11V. (Note 1) | | 100 | 150 | ns |
| Common Mode Input Range | | | | 4 | V |
| Internal Ramp Start Voltage | | 0.45 | 0.7 | 0.9 | V |
| Internal Ramp Amplitude | | 40 | 57 | 75 | mV / %DTC |
| Current Sense Amplifier | | | | | |
| CSINP1&2 Bias Current | | -0.5 | -0.2 | 0.1 | μA |
| CSINM Bias Current | | -1 | -0.4 | 0.2 | μA |
| Input Current Offset Ratio | CSINM/CSINPX | 0.7 | 1.7 | 2.6 | μA/μA |
| Average Input Offset Voltage | (VDRP-VDAC)/GAIN with CSINX=0, Note1. | -4 | 0 | 4 | mV |
| Offset Voltage Mismatch | Monitor I(SCOMP) | -8 | 0 | 8 | mV |
| Gain at T _J = 25 °C | | 22.0 | 23.5 | 25.0 | V/V |
| Gain at T _J = 125 °C | | 18.5 | 20.0 | 24.0 | V/V |
| Gain Mismatch | | -0.3 | 0 | 0.3 | V/V |
| Differential Input Range | | -25 | | 75 | mV |
| Common Mode Input Range | | 0 | | 2.8 | V |

| PARAMETER | TEST CONDITION | MIN | TYP | MAX | UNIT |
|---|---|------|-----|------|------|
| Share Adjust Error Amplifier | | | | | |
| Input Offset Voltage | Note 1 | -5 | 0 | 5 | mV |
| MAX Duty Cycle Adjust Ratio | Duty Cycle of GATEH2 to GATEH1 | 1.5 | 2 | 3 | %/% |
| MIN Duty Cycle Adjust Ratio | Duty Cycle of GATEH2 to GATEH1 | 0.6 | 0.5 | 0.4 | %/% |
| Transconductance | Note 1 | 100 | 200 | 300 | μA/V |
| SCOMP Source/Sink Current | | 15 | 28 | 40 | μA |
| Equal Duty Cycle Comparator Threshold | | 0.45 | 0.7 | 0.85 | V |
| Duty Cycle Match at Startup | DTC GATEH1 – DTC GATEH2 | -5 | 0 | 5 | % |
| SCOMP Precharge Current | V(SS/DEL)=0 | 250 | 420 | 600 | μA |
| 0% Duty Cycle Comparator | | | | | |
| Threshold Voltage | (Internal Ramp1 Start Voltage) – (0DC Threshold) | 100 | 150 | 200 | mV |
| Propagation Delay | VCCL = 12V. Step EAOUT from .8V to .3V and measure time to GATELX transition to < 11V. | | 200 | 320 | ns |
| Body Braking Disable Comparator Threshold | Compare V(FB) to V(VDAC) | 50 | 80 | 110 | mV |
| OVP | | | | | |
| VR10 Comparator Threshold | VID_SEL=0V. Compare to V(VDAC) | 120 | 145 | 180 | mV |
| AMD Comparator Threshold | Float VID_SEL. Compare to V(VDAC) | 360 | 480 | 600 | mV |
| Propagation Delay | VCCL = 12V. V(EAOUT)=0V. Step FB 460mV above V(VDAC). Measure time to GATELX transition to >1V. | | 200 | 300 | ns |
| Source Current | | 10 | 20 | | mA |
| Pull Down Resistance | OVP to PGND1 | 20 | 45 | 80 | kΩ |
| High Voltage | I(OVP)=10mA, V(VCC)-V(OVP) | .8 | 1.2 | 1.6 | V |
| General | | | | | |
| VCC Supply Current | | 23 | 29 | 34 | mA |
| VOSNS- Current | -0.3V ≤ VOSNS- ≤ 0.3V, All VID Codes | 2 | 3 | 4 | mA |
| VCCHX Supply Current (12V) | | 3 | 5 | 7 | mA |
| VCCHX Supply Current (28V) | | 5 | 7 | 9 | mA |
| VCCL Supply Current | | 5 | 10 | 16 | mA |

Note 1: Guaranteed by design, but not tested in production

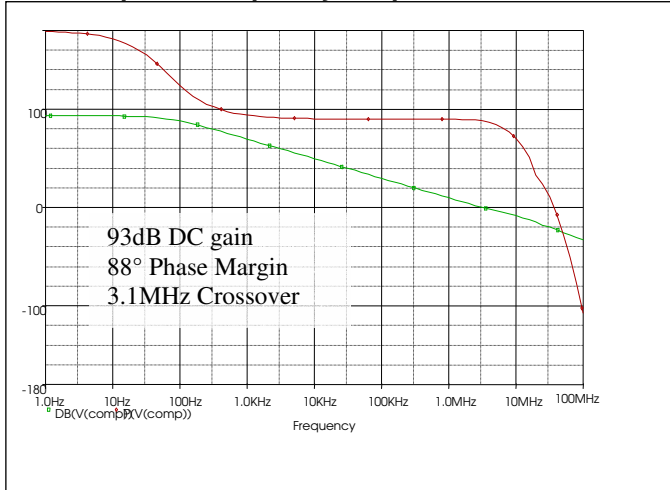
Note 2: VDAC Output is trimmed to compensate for Error Amp input offsets errors

TYPICAL OPERATING CHARACTERISTICS



TYPICAL OPERATING CHARACTERISTICS

Error Amplifier Frequency Response



IR3092 THEORY OF OPERATION

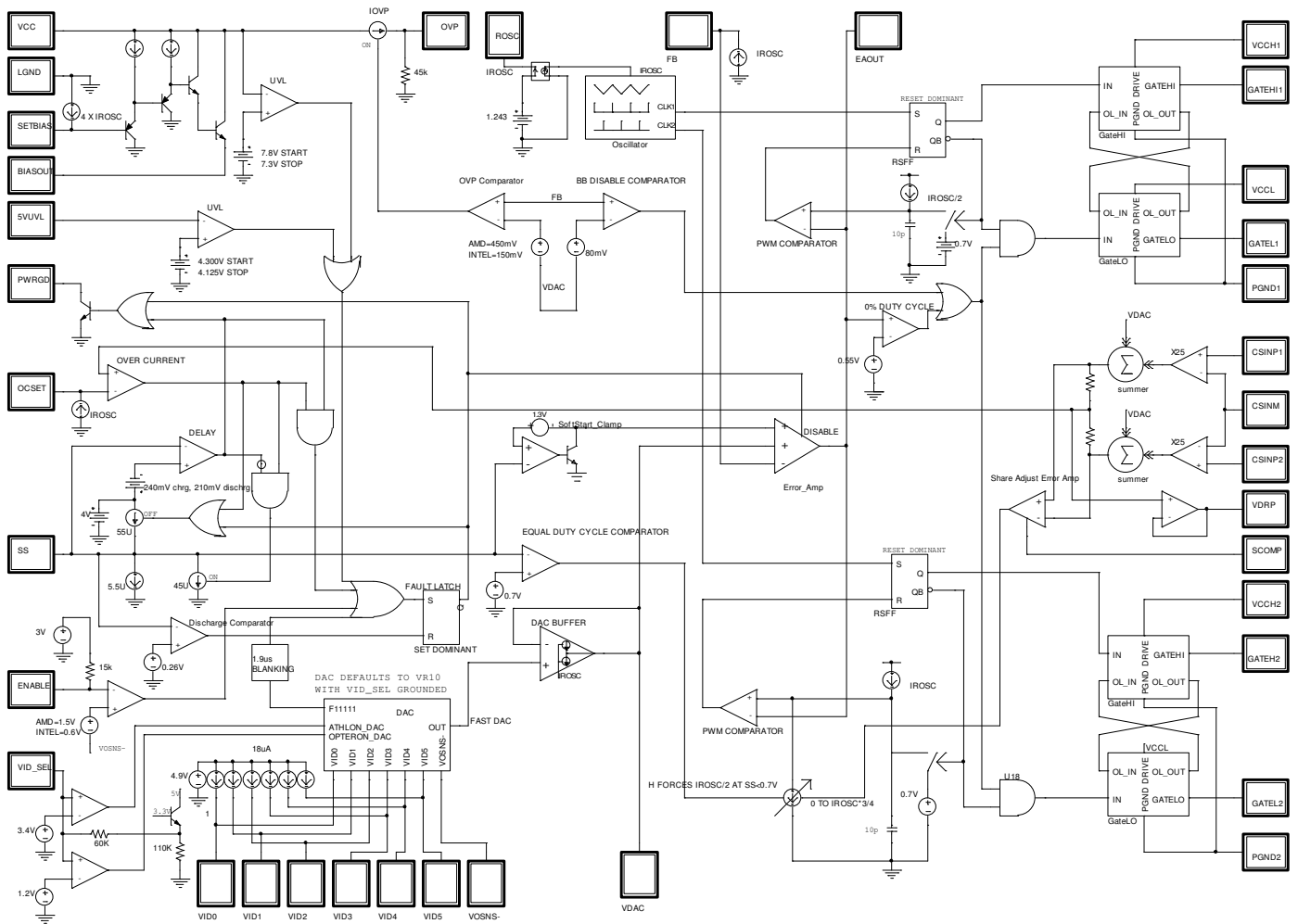


Figure 1 – IR3092 Block Diagram

PWM Operation

The IR3092 is a fully integrated 2 phase interleaved PWM control IC which uses voltage mode control with trailing edge modulation. A high-gain wide-bandwidth voltage type Error Amplifier in the control IC is used for the voltage control loop. The PWM block diagram of the IR3092 is shown in Figure 2.

Refer to Figure 3. Upon receiving a clock pulse, the RSFF is set, the internal PWM ramp voltage begins to increase, the low side driver is turned off, and the high side driver is then turned on. For phase 1, an internal 10pf capacitor is charged by a current source that's proportional to the switching frequency resulting in a ramp rate of 57mV per percent duty cycle. For example, if the steady-state operating switch node duty cycle is 10%, then the internal ramp amplitude is typically 570mV from the starting point (or floor) to the crossing of the EAOUT control voltage. When the PWM ramp voltage exceeds the Error Amplifier's output voltage, the RSFF is reset. This turns off the high side driver, turns on the low side driver, and discharges the PWM ramp to 0.7V until the next clock pulse.

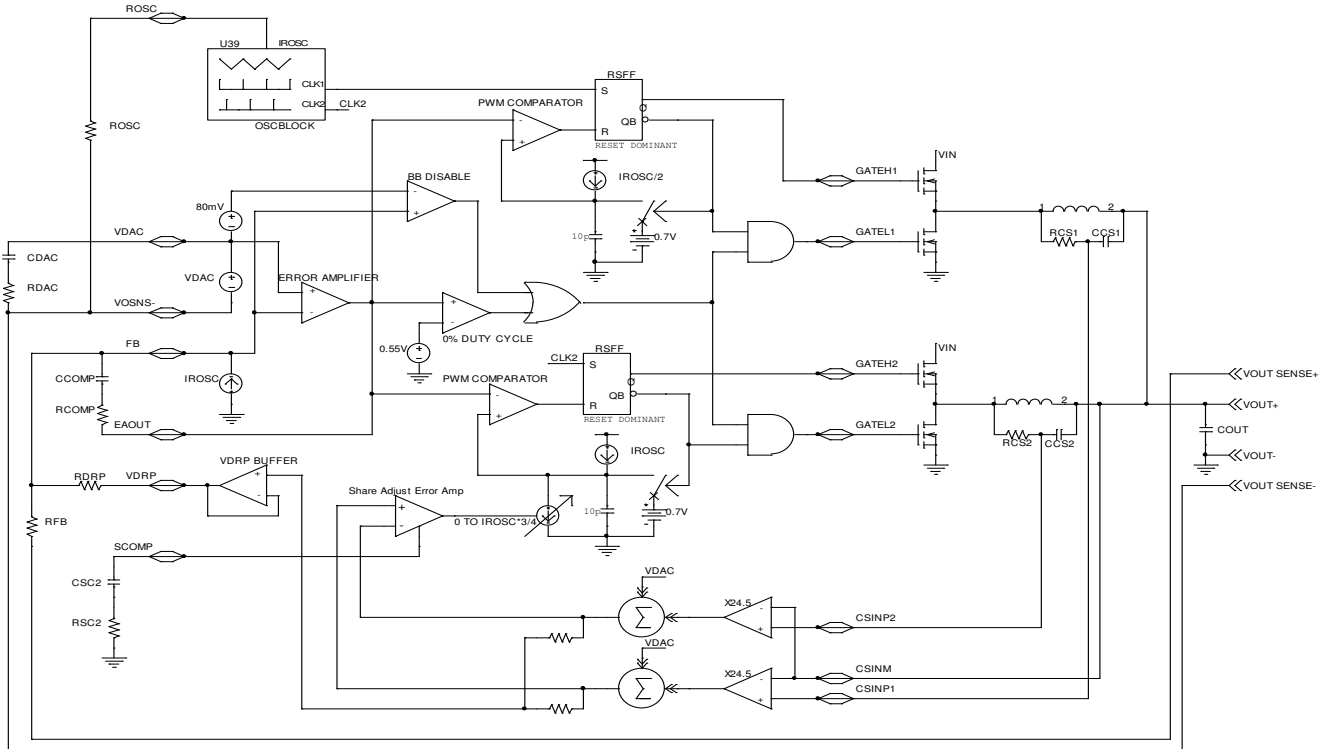


Figure 2 – PWM Block Diagram

The RSFF is reset dominant allowing both phases to go to zero duty cycle within a few tens of nanoseconds in response to a load step decrease. Phases can overlap and go to 100% duty cycle in response to a load step increase with turn-on gated by the clock pulses. An Error Amplifier output voltage greater than the common mode input range of the PWM comparator results in 100% duty cycle regardless of the voltage of the PWM ramp. This arrangement guarantees the Error Amplifier is always in control and can demand 0 to 100% duty cycle as required. It also favors response to a load step decrease which is appropriate given the low output to input voltage ratio of most systems. The inductor current will increase much more rapidly than decrease in response to load transients.

This control method is designed to provide “single cycle transient response” where the inductor current changes in response to load transients within a single switching cycle maximizing the effectiveness of the power train and minimizing the output capacitor requirements.

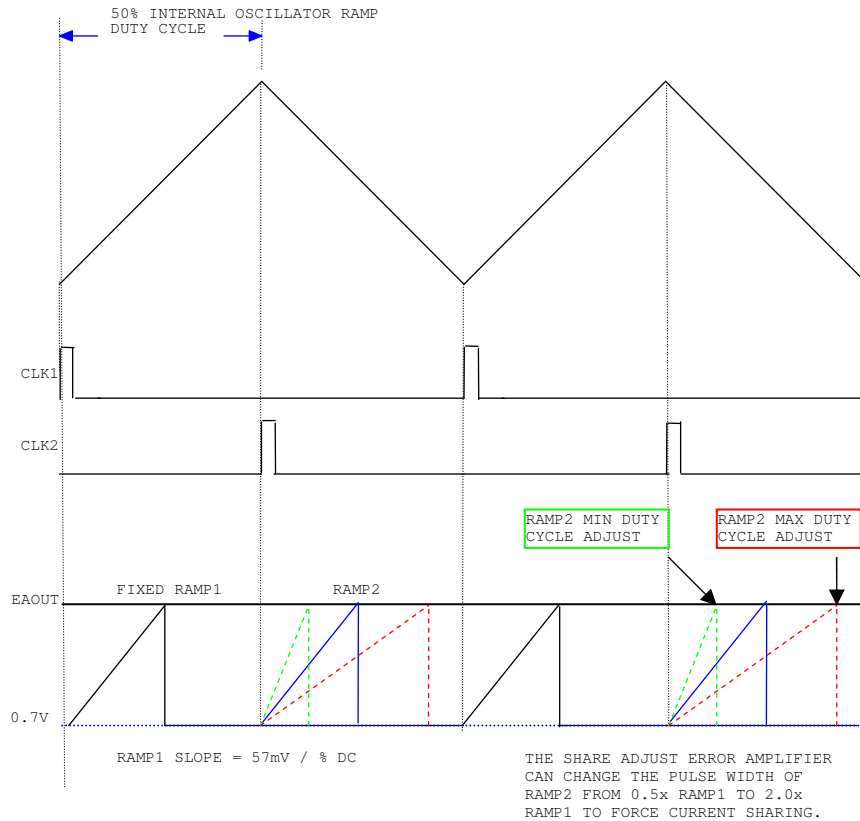


Figure 3 – 2 Phase Oscillator and PWM Waveforms

Body Braking™

In a conventional synchronous buck converter, the minimum time required to reduce the current in the inductor in response to a load step decrease is;

$$T_{SLEW} = [L \times (I_{MAX} - I_{MIN})] / V_{out}$$

The slew rate of the inductor current can be significantly increased by turning off the synchronous rectifier in response to a load step decrease. The switch node voltage is then forced to decrease until conduction of the synchronous rectifier’s body diode occurs. This increases the voltage across the inductor from V_{out} to $V_{out} + V_{BODY DIODE}$. The minimum time required to reduce the current in the inductor in response to a load transient decrease is now;

$$T_{SLEW} = [L \times (I_{MAX} - I_{MIN})] / (V_{out} + V_{BODY DIODE})$$

Since the voltage drop in the body diode is often higher than output voltage, the inductor current slew rate can be increased by 2X or more. This patent pending technique is referred to as “body braking” and is accomplished through the “0% Duty Cycle Comparator”. If the Error Amplifier’s output voltage drops below 0.55V, this comparator turns off the low side gate driver.

Figure 4 depicts PWM operating waveforms under various conditions

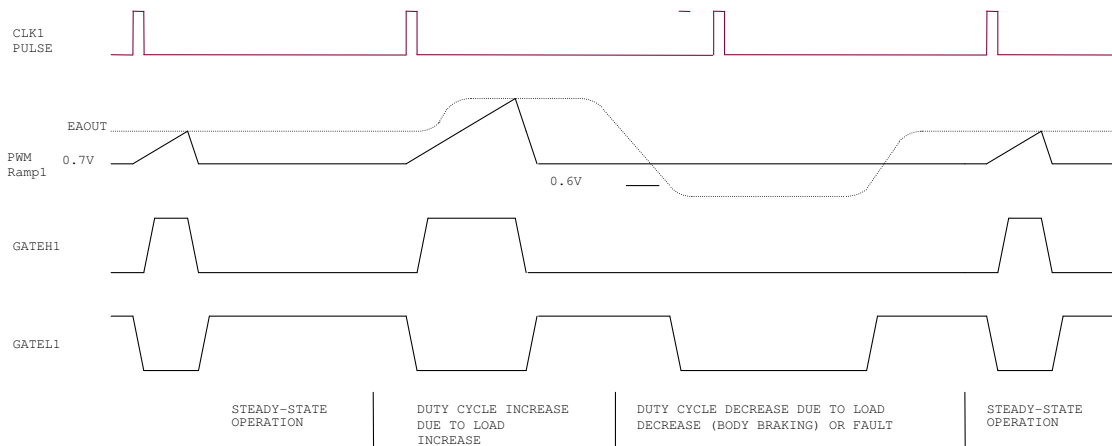


Figure 4 – PWM Operating Waveforms

Current Sense Amplifier

A high speed differential current sense amplifier is shown in Figure 5. Its gain decreases with increasing temperature and is nominally 24.5 at 25°C and 20 at 125°C (-1400 ppm/°C). This reduction of gain tends to compensate the 3850 ppm/°C increase in inductor DCR. Since in most designs the IC junction is hotter than the inductors these two effects tend to cancel such that no additional temperature compensation of the load line is required.

The current sense amplifier can accept positive differential input up to 75mV and negative up to -20mV before clipping. The output of the current sense amplifier is summed with the DAC voltage which is used for over current protection, voltage positioning and current sharing.

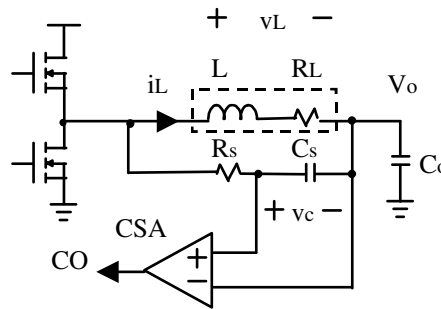


Figure 5 – Inductor Current Sensing and Current Sense Amplifier

VCC Under Voltage Lockout (UVLO)

The VCC UVLO function monitors the VCC supply pin and ensures enough voltage is available to power the internal circuitry. During power-up the fault latch is reset when VCC exceeds 7.8V and all other faults are cleared. The fault latch is set when VCC drops below 7.3V, resulting in 500mV of nominal VCC hysteresis for powering up into a load.

5VUVL Under Voltage Lockout (5VUVL)

The 5VUVL function is provided for converters using a separate voltage supply other than VCC for gate driver bias. The 5VUVL comparator prevents operation by discharging SS/DEL and forcing EAOUT low. The 5VUVL comparator has an OK threshold of 4.3V ensuring adequate gate drive voltage is present and a fault threshold of 4.125V.

Power Good Output

The PWRGD pin is an open-collector output and should be pulled up to a voltage source through a resistor. During soft start, the PWRGD remains low until the output voltage is in regulation and SS/DEL is above 3.75V. The PWRGD pin becomes low if the fault latch is set. A high level at the PWRGD pin indicates that the converter is in operation and has no fault, but does not ensure the output voltage is within the specification. Output voltage regulation within the design limits can logically be assured however, assuming no component failure in the system.

Tri-State Gate Drivers

The gate drivers can deliver over 3.5A peak current. An adaptive non-overlap circuit monitors the voltage on the GATEHX and GATELX pins to prevent MOSFET shoot-through current while minimizing body diode conduction.

The Error Amplifier output of the Control IC drives low in response to any fault condition such as VCC input under voltage or output overload. The 0% duty cycle comparator detects this and drives both gate outputs low. This tri-state operation prevents negative inductor current and negative output voltage during power-down.

The Gate Drivers revert to a high impedance "off" state at VCCL and VCCHX supply voltages below the normal operating range. An 80kΩ resistor is connected across the GATEX and PGNDX pins to prevent the GATEX voltage from rising due to leakage or other cause under these conditions.

Over Voltage Protection (OVP)

The output Over-Voltage Protection comparator monitors the output voltage through the FB pin, the positive remote sense point. If FB exceeds VDAC plus 145mV (for VR10.X, 480mV for OPTERON and ATHLON, selected with the VID_SEL pin), both GATEL pins drive high and the OVP pin sources up to 10mA. The OVP circuit over-rides the normal PWM operation and will fully turn-on the low side MOSFET within approximately 150ns. The low side MOSFET will remain ON until the over-voltage condition ceases. The lower MOSFETs alone can not clamp the output voltage however an SCR or N-MOSFET could be triggered by the OVP pin to prevent processor damage.

Error Amplifier compensation can slow down the response to an OVP condition if the voltage loop is too slow, which is usually not the case. The FB pin can only respond to an over-voltage condition once the EAOUT voltage has reached its minimum. Until then, the FB pin is modified by the falling EAOUT voltage so FB is equal to VDAC. The Error Amplifier compensation slew current generates a voltage across the RFB resistor that will mask the output voltage OVP condition. Again, for a typical fast voltage loop compensation scheme, a fairly large resistor is placed in series with the EAOUT to FB compensation capacitor to speed up the loop which results in no noticeable OVP sensing delay.

The overall system must be considered when designing for OVP. In many cases the over-current protection of the AC-DC or DC-DC converter supplying the multiphase converter will be triggered thus providing effective protection without damage as long as all PCB traces and components are sized to handle the worst-case maximum current. If this is not possible, a fuse can be added in the input supply to the multiphase converter. One scenario to be careful of is where the input voltage to the multiphase converter may be pulled below the level where the ICs can provide adequate voltage to the low side MOSFET thus defeating OVP.

A Body Braking™ Disable Comparator has been included to prevent false OVP firing during dynamic VID down changes. The BB DISABLE Comparator disables Body Braking™ when FB exceeds VDAC by 80mV. The low side MOSFETs will then be controlled to keep V(FB) and V(VOUT) within 80mV of V(VDAC), below the 150mV INTEL OVP trip point.

APPLICATIONS INFORMATION

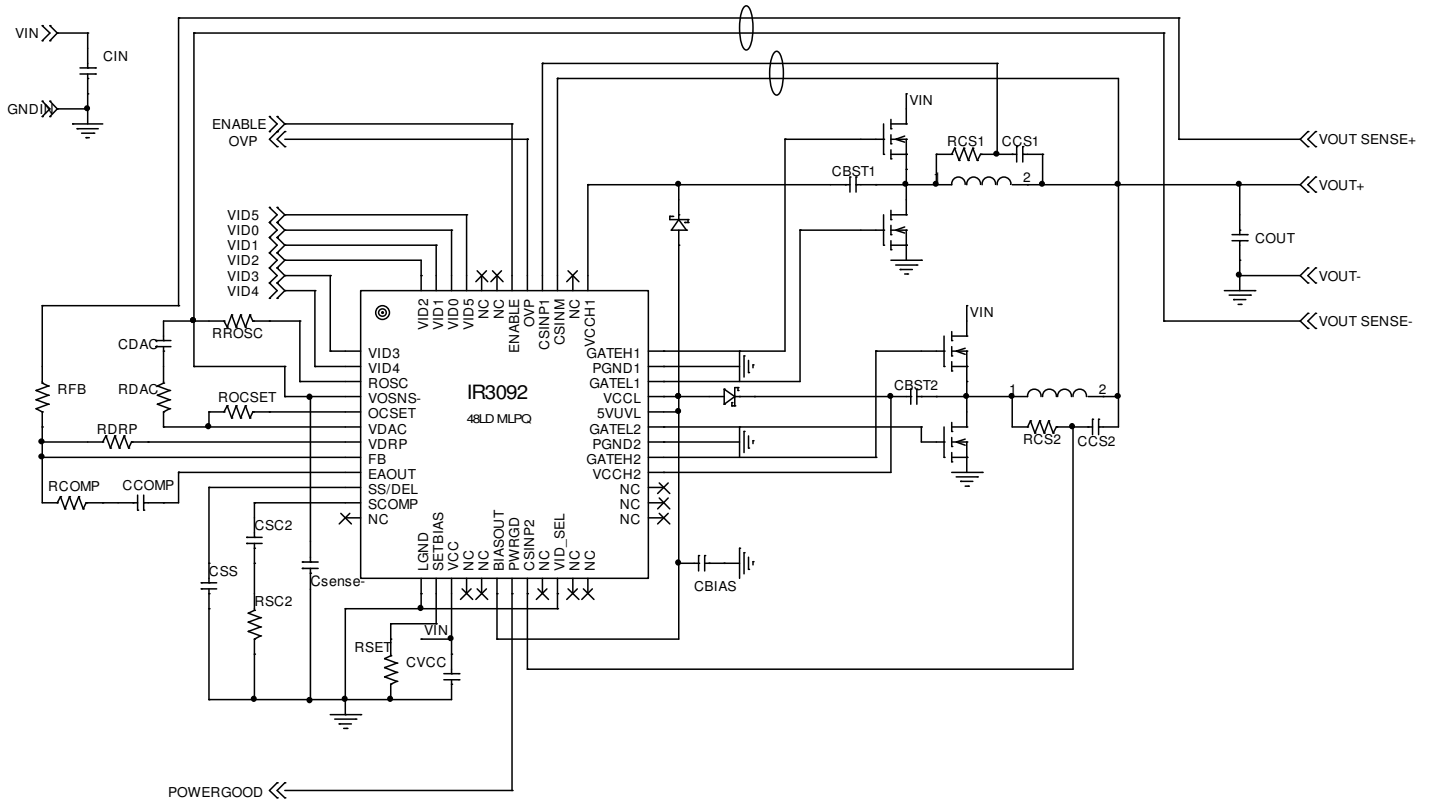


Figure 6 – System Diagram

VID Control

The IR3092 provides three different microprocessor solutions. The VID_SEL pin selects the appropriate Digital-to-Analog Converters (DAC), VID threshold voltages, and Over Voltage Protection (OVP) threshold for VR10.X, OPTERON, or ATHLON solutions. AMD VID codes are shown in Table 1; Intel VID codes are found in Table 2. The DAC output voltage is available at the VDAC pin. A detailed block diagram of the VID control circuitry can be found in Figure 7. The VID pins are internally pulled up to 4.9V by 18uA current sources. The VID input comparators have a 0.6V threshold for VR10.X or 1.5V threshold for OPTERON and ATHLON. The selected DAC voltage is provided at the Error Amplifier positive input and to the VDAC pin by the trans-conductance DAC Buffer.

The VDAC voltage is trimmed to the Error Amplifier output voltage with EAOUT tied to FB via an accurate resistor. This compensates DAC Buffer input offset, Error Amplifier input offset, and errors in the generation of the FB bias current which is based on R_{ROSC}. This trim method provides 0.5% system accuracy.

The IR3092 can accept changes in the VID code while operating and vary the VDAC voltage accordingly. The IC detects a VID change and blanks the DAC output response for 400ns to verify the new code is valid and not due to skew or noise. The sink/source capability of the VDAC buffer amp is programmed by the same external resistor that sets the oscillator frequency, R_{ROSC}. The slew rate of the voltage at the VDAC pin can be adjusted by an external capacitor between VDAC pin and the VOSNS- pin. A resistor connected in series with this capacitor is required to compensate the VDAC buffer amplifier. Digital VID transitions result in a smooth analog transition of the VDAC voltage and converter output voltage minimizing inrush currents in the input and output capacitors and overshoot of the output voltage.

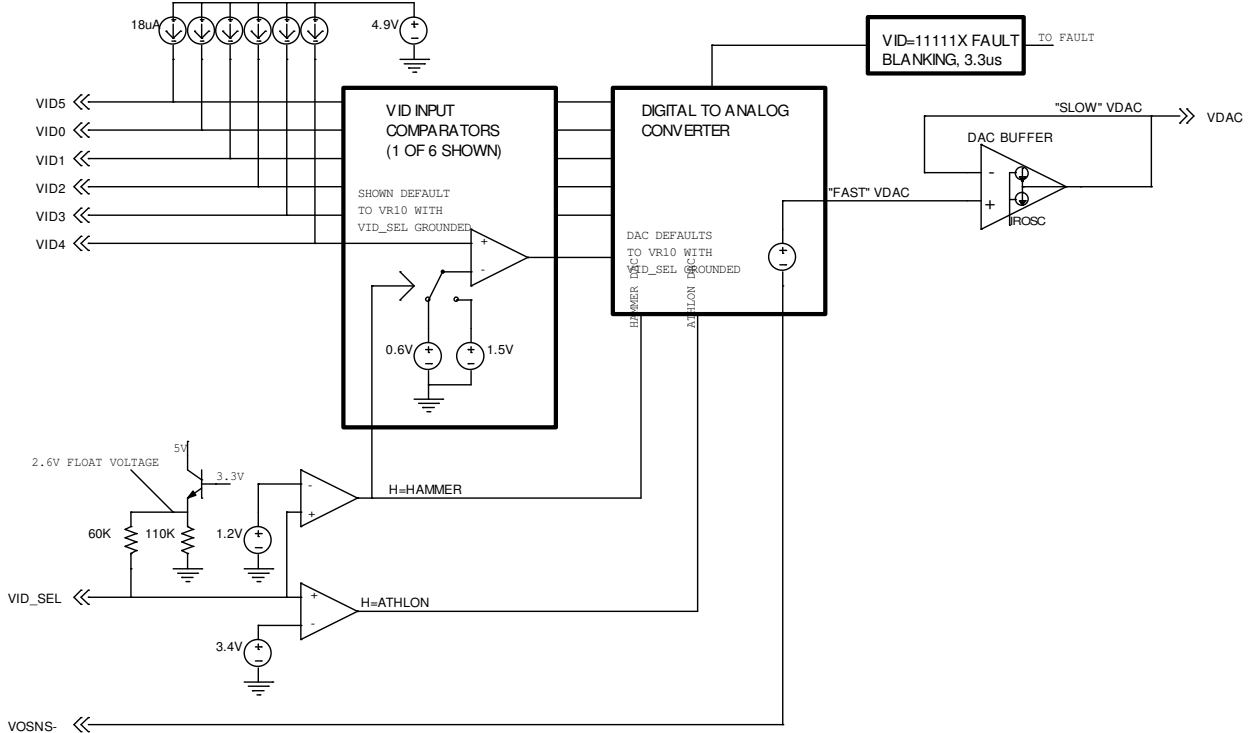


Figure 7– VID Control Block Diagram

VID = 11111X Fault

VID codes of 111111 and 111110 will set the fault latch and disable the Error Amplifier.

Slew Rate Programming Capacitor CDAC and Resistor RDAC

VDAC sink current I_{SINK} and source current I_{SOURCE} are determined by R_{ROSC} , and their value can be found using the curve in the Typical Operating Characteristics. The slew rate of VDAC down-slope SR_{DOWN} can be programmed by the external capacitor C_{DAC} as defined in Equation (1) and shown in Figure 6. Resistor R_{DAC} is used to compensate VDAC circuit and is determined by Equation (2). The slew rate of VDAC up-slope SR_{UP} is proportional to the down-slope slew rate SR_{DOWN} and is given by Equation (3).

$$C_{DAC} = \frac{I_{SINK}}{SR_{DOWN}} \quad (1)$$

$$R_{DAC} = 0.5 + \frac{3.2 * 10^{-15}}{C_{DAC}^2} \quad (2)$$

$$SR_{UP} = \frac{I_{SOURCE}}{C_{DAC}} \quad (3)$$

| Table 1A. AMD OPTERON VID | | | | | | Table 1B. AMD ATHLON VID | | | | | |
|--|------|------|------|------|------------------|---|------|------|------|------|------------------|
| <p>VID_SEL Open. V(VDAC) is pre-positioned 50mV higher than Vout values listed below for load positioning.</p> <p>Vout is measured at EAOUT with ROSC=42K and a 1690 ohm resistor connecting FB to EAOUT to cancel the 50mV pre-position offset.</p> | | | | | | <p>VIDSEL to VCC. V(VDAC) is pre-positioned 50mV higher than Vout values listed below for load positioning.</p> <p>Vout is measured at EAOUT with ROSC=42K and a 1690 ohm resistor connecting FB to EAOUT to cancel the 50mV pre-position offset.</p> | | | | | |
| VID4 | VID3 | VID2 | VID1 | VID0 | Vout (V) | VID4 | VID3 | VID2 | VID1 | VID0 | Vout (V) |
| 0 | 0 | 0 | 0 | 0 | 1.550 | 0 | 0 | 0 | 0 | 0 | 1.850 |
| 0 | 0 | 0 | 0 | 1 | 1.525 | 0 | 0 | 0 | 0 | 1 | 1.825 |
| 0 | 0 | 0 | 1 | 0 | 1.500 | 0 | 0 | 0 | 1 | 0 | 1.800 |
| 0 | 0 | 0 | 1 | 1 | 1.475 | 0 | 0 | 0 | 1 | 1 | 1.775 |
| 0 | 0 | 1 | 0 | 0 | 1.450 | 0 | 0 | 1 | 0 | 0 | 1.750 |
| 0 | 0 | 1 | 0 | 1 | 1.425 | 0 | 0 | 1 | 0 | 1 | 1.725 |
| 0 | 0 | 1 | 1 | 0 | 1.400 | 0 | 0 | 1 | 1 | 0 | 1.700 |
| 0 | 0 | 1 | 1 | 1 | 1.375 | 0 | 0 | 1 | 1 | 1 | 1.675 |
| 0 | 1 | 0 | 0 | 0 | 1.350 | 0 | 1 | 0 | 0 | 0 | 1.650 |
| 0 | 1 | 0 | 0 | 1 | 1.325 | 0 | 1 | 0 | 0 | 1 | 1.625 |
| 0 | 1 | 0 | 1 | 0 | 1.300 | 0 | 1 | 0 | 1 | 0 | 1.600 |
| 0 | 1 | 0 | 1 | 1 | 1.275 | 0 | 1 | 0 | 1 | 1 | 1.575 |
| 0 | 1 | 1 | 0 | 0 | 1.250 | 0 | 1 | 1 | 0 | 0 | 1.550 |
| 0 | 1 | 1 | 0 | 1 | 1.225 | 0 | 1 | 1 | 0 | 1 | 1.525 |
| 0 | 1 | 1 | 1 | 0 | 1.200 | 0 | 1 | 1 | 1 | 0 | 1.500 |
| 0 | 1 | 1 | 1 | 1 | 1.175 | 0 | 1 | 1 | 1 | 1 | 1.475 |
| 1 | 0 | 0 | 0 | 0 | 1.150 | 1 | 0 | 0 | 0 | 0 | 1.450 |
| 1 | 0 | 0 | 0 | 1 | 1.125 | 1 | 0 | 0 | 0 | 1 | 1.425 |
| 1 | 0 | 0 | 1 | 0 | 1.100 | 1 | 0 | 0 | 1 | 0 | 1.400 |
| 1 | 0 | 0 | 1 | 1 | 1.075 | 1 | 0 | 0 | 1 | 1 | 1.375 |
| 1 | 0 | 1 | 0 | 0 | 1.050 | 1 | 0 | 1 | 0 | 0 | 1.350 |
| 1 | 0 | 1 | 0 | 1 | 1.025 | 1 | 0 | 1 | 0 | 1 | 1.325 |
| 1 | 0 | 1 | 1 | 0 | 1.000 | 1 | 0 | 1 | 1 | 0 | 1.300 |
| 1 | 0 | 1 | 1 | 1 | 0.975 | 1 | 0 | 1 | 1 | 1 | 1.275 |
| 1 | 1 | 0 | 0 | 0 | 0.950 | 1 | 1 | 0 | 0 | 0 | 1.250 |
| 1 | 1 | 0 | 0 | 1 | 0.925 | 1 | 1 | 0 | 0 | 1 | 1.225 |
| 1 | 1 | 0 | 1 | 0 | 0.900 | 1 | 1 | 0 | 1 | 0 | 1.200 |
| 1 | 1 | 0 | 1 | 1 | 0.875 | 1 | 1 | 0 | 1 | 1 | 1.175 |
| 1 | 1 | 1 | 0 | 0 | 0.850 | 1 | 1 | 1 | 0 | 0 | 1.150 |
| 1 | 1 | 1 | 0 | 1 | 0.825 | 1 | 1 | 1 | 0 | 1 | 1.125 |
| 1 | 1 | 1 | 1 | 0 | 0.800 | 1 | 1 | 1 | 1 | 0 | 1.100 |
| 1 | 1 | 1 | 1 | 1 | OFF ⁴ | 1 | 1 | 1 | 1 | 1 | OFF ⁴ |

Note: 4 Output disabled (Fault mode)

Table 2. Intel VR10.X VID (VID_SEL Grounded, measured at EAOUT=FB.)

| Processor Pins (0 = low, 1 = high) | | | | | | Vout (V) | Processor Pins (0 = low, 1 = high) | | | | | | Vout (V) |
|------------------------------------|------|------|------|------|------|------------------|------------------------------------|------|------|------|------|------|----------|
| VID4 | VID3 | VID2 | VID1 | VID0 | VID5 | | VID4 | VID3 | VID2 | VID1 | VID0 | VID5 | |
| 0 | 1 | 0 | 1 | 0 | 0 | 0.8375 | 1 | 1 | 0 | 1 | 0 | 0 | 1.2125 |
| 0 | 1 | 0 | 0 | 1 | 1 | 0.8500 | 1 | 1 | 0 | 0 | 1 | 1 | 1.2250 |
| 0 | 1 | 0 | 0 | 1 | 0 | 0.8625 | 1 | 1 | 0 | 0 | 1 | 0 | 1.2375 |
| 0 | 1 | 0 | 0 | 0 | 0 | 0.8750 | 1 | 1 | 0 | 0 | 0 | 1 | 1.2500 |
| 0 | 1 | 0 | 0 | 0 | 0 | 0.8875 | 1 | 1 | 0 | 0 | 0 | 0 | 1.2625 |
| 0 | 0 | 1 | 1 | 1 | 1 | 0.9000 | 1 | 0 | 1 | 1 | 1 | 1 | 1.2750 |
| 0 | 0 | 1 | 1 | 1 | 0 | 0.9125 | 1 | 0 | 1 | 1 | 0 | 0 | 1.2875 |
| 0 | 0 | 1 | 1 | 0 | 1 | 0.9250 | 1 | 0 | 1 | 1 | 0 | 1 | 1.3000 |
| 0 | 0 | 1 | 1 | 0 | 0 | 0.9375 | 1 | 0 | 1 | 1 | 0 | 0 | 1.3125 |
| 0 | 0 | 1 | 0 | 1 | 1 | 0.9500 | 1 | 0 | 1 | 0 | 1 | 1 | 1.3250 |
| 0 | 0 | 1 | 0 | 1 | 0 | 0.9625 | 1 | 0 | 1 | 0 | 1 | 0 | 1.3375 |
| 0 | 0 | 1 | 0 | 0 | 1 | 0.9750 | 1 | 0 | 1 | 0 | 0 | 1 | 1.3500 |
| 0 | 0 | 1 | 0 | 0 | 0 | 0.9875 | 1 | 0 | 1 | 0 | 0 | 0 | 1.3625 |
| 0 | 0 | 0 | 1 | 1 | 1 | 1.0000 | 1 | 0 | 0 | 1 | 1 | 1 | 1.3750 |
| 0 | 0 | 0 | 1 | 1 | 0 | 1.0125 | 1 | 0 | 0 | 1 | 1 | 0 | 1.3875 |
| 0 | 0 | 0 | 1 | 0 | 1 | 1.0250 | 1 | 0 | 0 | 1 | 0 | 1 | 1.4000 |
| 0 | 0 | 0 | 1 | 0 | 0 | 1.0375 | 1 | 0 | 0 | 1 | 0 | 0 | 1.4125 |
| 0 | 0 | 0 | 0 | 1 | 1 | 1.0500 | 1 | 0 | 0 | 0 | 1 | 1 | 1.4250 |
| 0 | 0 | 0 | 0 | 1 | 0 | 1.0625 | 1 | 0 | 0 | 0 | 1 | 0 | 1.4375 |
| 0 | 0 | 0 | 0 | 0 | 1 | 1.0750 | 1 | 0 | 0 | 0 | 0 | 1 | 1.4500 |
| 0 | 0 | 0 | 0 | 0 | 0 | 1.0875 | 1 | 0 | 0 | 0 | 0 | 0 | 1.4625 |
| 1 | 1 | 1 | 1 | 1 | 1 | OFF ⁴ | 0 | 1 | 1 | 1 | 1 | 1 | 1.4750 |
| 1 | 1 | 1 | 1 | 1 | 0 | OFF ⁴ | 0 | 1 | 1 | 1 | 1 | 0 | 1.4875 |
| 1 | 1 | 1 | 1 | 1 | 0 | 1 | 0 | 1 | 1 | 1 | 0 | 1 | 1.5000 |
| 1 | 1 | 1 | 1 | 1 | 0 | 0 | 1 | 1 | 1 | 1 | 0 | 0 | 1.5125 |
| 1 | 1 | 1 | 0 | 1 | 1 | 1.1250 | 0 | 1 | 1 | 1 | 0 | 1 | 1.5250 |
| 1 | 1 | 1 | 0 | 1 | 0 | 1.1375 | 0 | 1 | 1 | 1 | 0 | 0 | 1.5375 |
| 1 | 1 | 1 | 0 | 0 | 1 | 1.1500 | 0 | 1 | 1 | 1 | 0 | 0 | 1.5500 |
| 1 | 1 | 1 | 0 | 0 | 0 | 1.1625 | 0 | 1 | 1 | 1 | 0 | 0 | 1.5625 |
| 1 | 1 | 0 | 1 | 1 | 1 | 1.1750 | 0 | 1 | 0 | 1 | 1 | 1 | 1.5750 |
| 1 | 1 | 0 | 1 | 1 | 0 | 1.1875 | 0 | 1 | 0 | 1 | 1 | 0 | 1.5875 |
| 1 | 1 | 0 | 1 | 0 | 1 | 1.2000 | 0 | 1 | 0 | 1 | 0 | 1 | 1.6000 |

Note: 4. Output disabled (Fault mode)

Oscillator Resistor R_{ROSC}

The oscillator frequency is programmable from 100kHz to 540kHz with an external resistor R_{ROSC} as shown in Figure 6. The oscillator generates an internal 50% duty cycle saw tooth signal (Figure 4.) that is used to generate 180° out-of-phase timing pulses to set Phase 1 and 2 RS flip-flops. Once the switching frequency is chosen, R_{ROSC} can be determined from the curve in the I(SETBIAS) vs. Rosc curve in the Typical Operating Characteristics Section.

Soft Start, Over-Current Fault Delay, and Hiccup Mode

The IR3092 has a programmable soft-start function to limit the surge current during converter power-up. A capacitor connected between the SS/DEL and LGND pins controls soft start timing as well as over-current protection delay and hiccup mode timing.

Figure 8 depicts the various operating modes of the SS/DEL function. Under a no fault condition, the SS/DEL capacitor will charge. The SS/DEL charge soft-start duration is controlled by a 55uA charge current which charges C_{SS} up to 4.0V. The Error Amplifier output is clamped low until SS/DEL reaches 1.3V. The Error Amplifier will then regulate the converter's output voltage to match the SS/DEL voltage less the 1.3V offset until it reaches the level determined by the VID inputs. The PWRGD signal is asserted once the SS/DEL voltage exceeds 3.75V.

VCC and 5VUVL Under Voltage Lock Outs, a VID=11111x fault, or low Enable pin immediately set the fault latch causing SS/DEL to begin discharging. The hiccup duration is controlled by a 5.5uA discharge current until the Discharge Comparator Threshold of 0.26V is reached. If the fault has cleared, the fault latch will reset allowing a normal soft-start to occur.

A delay is included if an over-current condition occurs after a successful soft start sequence. This is required since over-current conditions can occur as part of normal operation due to load transients or VID transitions. If an over-current fault occurs during normal operation, the Over Current Comparator will initiate the discharge of the capacitor at SS/DEL but will not set the fault latch immediately. If the over-current condition persists long enough for the SS/DEL capacitor to discharge below the 3.75V threshold of the delay comparator, the Fault latch will be set pulling the Error Amplifier's output low, inhibiting switching and de-asserting the PWRGD signal. An additional discharge current is introduced during an over current condition. The 5.5uA discharge current results in a long delay duration where SS/DEL discharges from its 4V peak to the 3.75V fault delay threshold. This potentially long over-current protection activation delay could result in potential power stage damage therefore an additional 45uA discharge current source assists the 5.5uA discharge current if an over current condition is occurring and the SS/DEL capacitor is above 3.75V. 30mV of hysteresis is included in the Delay Comparator to prevent PWRGD chatter when SS/DEL is at the delay threshold.

The SS/DEL capacitor will continue to discharge until it reaches 0.26V where the fault latch is reset allowing a normal soft start to occur. If an over-current condition is again encountered during the soft start cycle, the fault latch will be set without any delay and hiccup mode will begin. During hiccup mode the 10 to 1 charge to discharge ratio results in a 9% hiccup mode duty cycle regardless of at what point the over-current condition occurs.

The converter can be disabled if the SS/DEL pin is pulled below 0.9V.

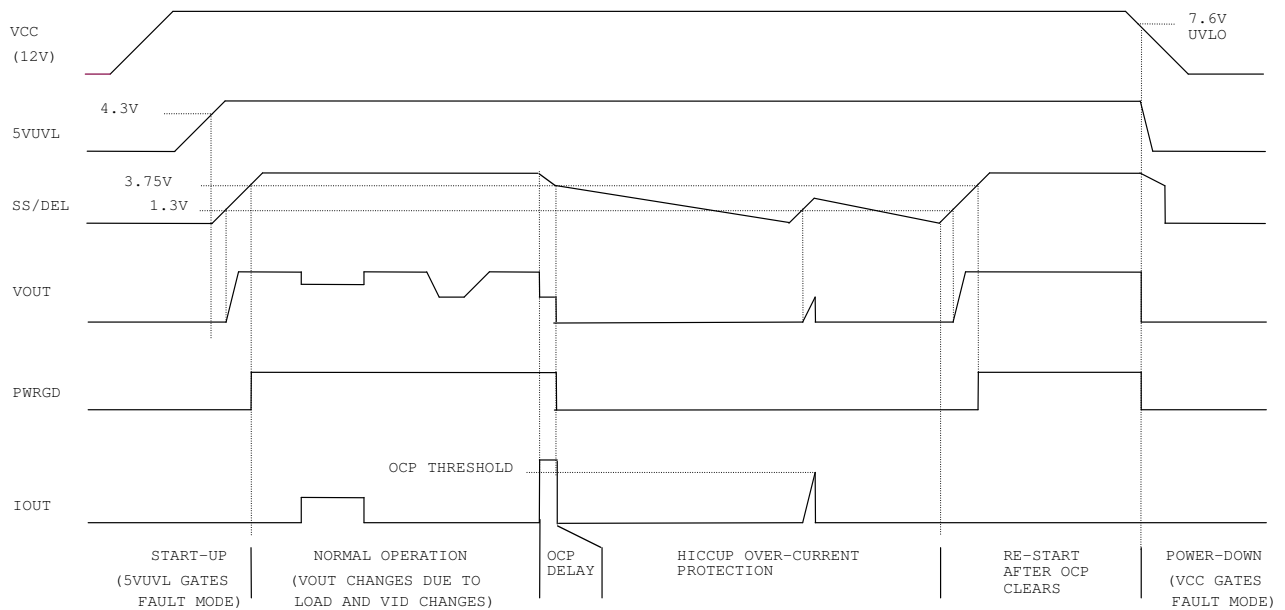


Figure 8 – Operating Waveforms

Soft-start delay time t_{SSDEL} is the time to charge SS/DEL up to 1.3V. After this the error amplifier output is released to allow the soft start. The soft start time t_{SS} represents the time during which converter voltage rises from zero to V_O . t_{SS} can be programmed by C_{SS} using equation (4).

$$C_{SS} = \frac{I_{CHG} * t_{SS}}{V_O} = \frac{55 * 10^{-6} * t_{SS}}{V_O} \quad (4)$$

Once C_{SS} is chosen, the soft start delay time t_{SSDEL} , the over-current fault latch delay time t_{OCDEL} , and the delay time t_{VccPG} from output voltage (V_O) in regulation to Power Good are fixed and shown in equation (5), (6) and (7) respectively.

$$t_{SSDEL} = \frac{C_{SS} * \Delta V}{I_{CHG}} = \frac{C_{SS} * 1.3}{55 * 10^{-6}} \quad (5)$$

$$t_{OCDEL} = \frac{C_{SS} * \Delta V}{I_{DISCHG}} = \frac{C_{SS} * 0.25}{50.5 * 10^{-6}} \quad (6)$$

$$t_{VccPG} = \frac{C_{SS} * \Delta V}{I_{CHG}} = \frac{C_{SS} * (3.75 - V_O - 1.3)}{55 * 10^{-6}} \quad (7)$$

Over Current Protection (OCP)

The current limit threshold is set by a resistor connected between the OCSET and VDAC pins. If the average Current Sense Amplifier output plus VDAC voltage exceeds the OCSET voltage, the over-current protection is triggered.

A delay is included if an over-current condition occurs after a successful soft-start sequence. This is required since over-current conditions can occur as part of normal operation due to load transients or VID transitions. If an over-current fault occurs during normal operation, the Over Current Comparator will initiate the discharge of the capacitor at SS/DEL but will not set the fault latch immediately. If the over-current condition persists long enough for the SS/DEL capacitor to discharge below the 250mV offset of the delay comparator, the Fault latch will be set pulling the Error Amplifier's output low inhibiting switching in the phase ICs and de-asserting the PWRGD signal. See Soft Start, Over-Current Fault Delay, and Hiccup Mode.

The inductor DC resistance R_L is utilized to sense the inductor current. I_{LIMIT} is the required over current limit. I_{OCSET} , the bias current of OCSET pin, is set by R_{ROSC} and is also determined by the curve in the Typical Operating Characteristics. R_{OCSET} is defined in the following Equation (8).

$$R_{OCSET} = \left(\frac{I_{LIMIT}}{2} + \frac{V_O * (V_{in} - V_O)}{2 * L * V_{in} * f_{sw}} \right) * R_L * 23.5 / I_{OCSET} \quad (8)$$

A resistor R_{FB} between FB pin and the converter output is used to create output voltage offset V_{O_NLOFST} which is the difference between VDAC voltage and output voltage at no load condition. An internal current source whose value is programmed by the same external resistor that programs the oscillator frequency, R_{ROSC} , pumps current I_{ROSC} out of the FB pin.

The voltage at the VDRP pin is an average of both phase Current Sense Amplifiers and represents the sum of the VDAC voltage and the average inductor current of all the phases. The VDRP pin is connected to the FB pin through the Adaptive Voltage Positioning Resistor R_{DRP} . Adaptive voltage positioning lowers the converter voltage by $R_O \cdot I_O$, where R_O is the required output impedance of the converter. R_{FB} and R_{DRP} are determined by (9) and (10) respectively, where R_O is the required output impedance of the converter.

$$R_{FB} = \frac{V_{O_NLOFST}}{I_{ROSC}} \quad (9)$$

$$R_{DRP} = \frac{R_{FB} * R_L * 23.5}{2 * R_O} \quad (10)$$

Lossless Average Inductor Current Sensing

Inductor current can be sensed by connecting a series resistor and a capacitor network in parallel with the inductor and measuring the voltage across the capacitor. The equation of the sensing network is,

$$v_C(s) = v_L(s) \frac{1}{1 + sR_S C_S} = i_L(s) \frac{R_L + sL}{1 + sR_S C_S}$$

Usually the resistor R_{CS} and capacitor C_{CS} are chosen so that the time constant of R_{CS} and C_{CS} equals the time constant of the inductor which is the inductance L over the inductor DCR. If the two time constants match, the voltage across C_{CS} is proportional to the current through L , and the sense circuit can be treated as if only a sense resistor with the value of R_L was used. The mismatch of the time constants does not affect the measurement of inductor DC current, but affects the AC component of the inductor current.

The advantage of sensing the inductor current versus high side or low side sensing is that actual output current being delivered to the load is obtained rather than peak or sampled information about the switch currents. The output voltage can be positioned to meet a load line based on real time information. Except for a sense resistor in series with the inductor, this is the only sense method that can support a single cycle transient response. Other methods provide no information during either load increase (low side sensing) or load decrease (high side sensing).

An additional problem associated with peak or valley current mode control for voltage positioning is that they suffer from peak-to-average errors. These errors will show in many ways but one example is the effect of frequency variation. If the frequency of a particular unit is 10% low, the peak to peak inductor current will be 10% larger and the output impedance of the converter will drop by about 10%. Variations in inductance, current sense amplifier bandwidth, PWM prop delay, any added slope compensation, input voltage, and output voltage are all additional sources of peak-to-average errors.

The DC resistance of the inductor is utilized to sense the inductor current. Usually the resistor R_{CS} and capacitor C_{CS} in parallel with the inductor are chosen to match the time constant of the inductor, and therefore the voltage across the capacitor C_{CS} represents the inductor current. If the two time constants are not the same, the AC component of the capacitor voltage is different from that of the real inductor current. The time constant mismatch does not affect the average current sharing among the multiple phases, but affects the AC component of the inductor current as well as the output voltage during the load current transient if adaptive voltage positioning is adopted.

Measure the inductance L and the inductor DC resistance RL. Pre-select the capacitor CCS and calculate RCS as follows.

$$R_{CS} = \frac{L/R_L}{C_{CS}} \quad (11)$$

The bias current flowing out of the non-inverting input of the current sense amplifier creates a voltage drop across RCS, which is equivalent to an input offset voltage of the current sense amplifier. The offset affects the accuracy of converter current signal ISHARE as well as the accuracy of the converter output voltage if adaptive voltage positioning is adopted. To reduce the offset voltage, a resistor RCSO should be added between the amplifier inverting input and the converter output, as shown in Fig1. The resistor RCSO is determined by the ratio of the bias current from the non-inverting input and the bias current from the inverting input.

$$R_{CSO} = \frac{I_{CSIN+}}{I_{CSIN-}} * R_{CS} \quad (12)$$

If RCSO is not used, RCS should be chosen so that the offset voltage is small enough. Usually RCS should be less than 2 kΩ and therefore a larger CCS value is needed.

Inductor DCR Temperature Correction

If the Current Sense Amplifier temperature dependent gain is not adequate to compensate the inductor DCR TC, a negative temperature coefficient (NTC) thermistor can be added. The thermistor should be placed close to the inductor and connected in parallel with the feedback resistor, as shown in Figure 10. The resistor in series with the thermistor is used to reduce the nonlinearity of the thermistor.

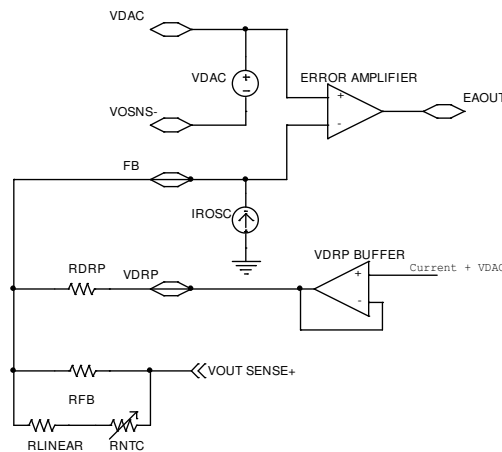


Figure 10- Temperature compensation of inductor DCR

Remote Voltage Sensing

To compensate for impedance in the ground plane, the VOSNS- pin is used for remote sensing and connects directly to the load. The VDAC voltage is referenced to VOSNS- to avoid additional error terms or delay related to a separate differential amplifier. The capacitor connecting the VDAC and VOSNS- pins ensure that high speed transients are fed directly into the Error Amplifier without delay.

Master-Slave Current Share Loop

Current sharing between phases of the converter is achieved by a Master-Slave current share loop topology. The output of the Phase 1 Current Sense Amplifier sets the reference for the Share Adjust Error Amplifier. The Share Adjust Error Amplifier will then adjust the duty cycle of PWM Ramp2 to force its input error to zero, resulting in accurate current sharing.

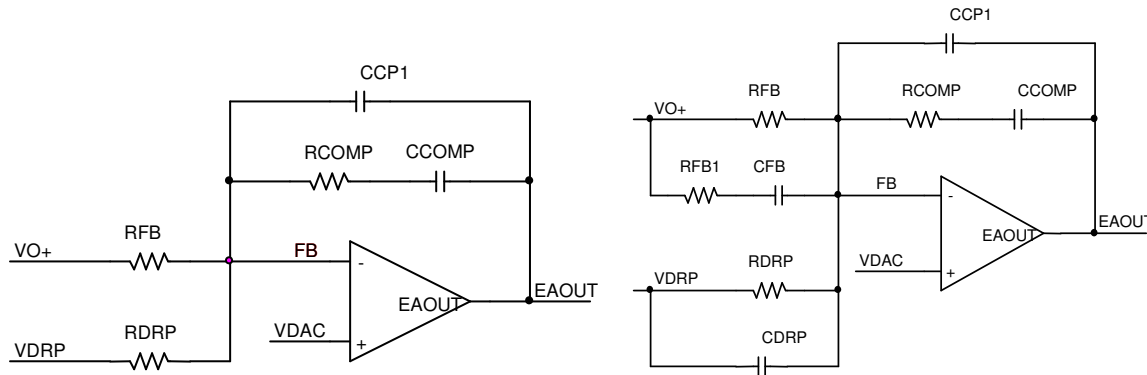
The maximum and minimum duty cycle adjust range of Ramp2 compared to Ramp1 has been limited to 0.5x and 2.0x of the master's ramp (see Figure 3.). The crossover frequency of the current share loop can be programmed with a capacitor at the SCOMP pin so that the share loop does not interact with the output voltage loop. A 22nF capacitor from SCOMP to LGND is good for most of the applications. If necessary have a 1k resistor in series with the Csc to make the current loop a little bit faster.

The SCOMP capacitor is driven by a trans-conductance stage capable of sourcing and sinking 25uA. The duty cycle of Ramp2 inversely tracks the voltage on the SCOMP pin; if V(SCOMP) increases, Ramp2's slope will increase and the effective duty cycle will decrease resulting in a reduction in Phase 2's output current. Due to the limited 25uA source current, an SCOMP pre-charge circuit has been included to pre-condition V(SCOMP) so that the duty cycle of Ramp2 is equal to Ramp1 prior to any GATEHX high pulses. The pre-condition circuit can source 400uA. The Equal Duty Cycle Comparator (see Block Diagram) activates a pre-charge circuit when SS/DEL is less than 0.7V. The Error Amplifier becomes active enabling GATEH switching when SS/DEL is above 1.3V.

Compensation of Voltage Loop

The adaptive voltage positioning is used in the computer applications to meet the load line requirements. Like current mode control, the adaptive voltage positioning loop introduces extra zero to the voltage loop and splits the double poles of the power stage, which make the voltage loop compensation much easier.

Resistors RFB and RDRP are chosen according to Equations (9) and (10), and the selection of compensation types depends on the capacitors used. For the applications using Electrolytic, Polymer or AL-Polymer capacitors, type II compensation shown in Figure 11 (a) is usually enough. While for the applications with only low ESR ceramic capacitors, type III compensation shown in Figure 11 (b) is preferred.



(a) Type II compensation

(b) Type III compensation

Figure11 . Voltage loop compensation network

Type II Compensation

Determine the compensation at no load, the worst case condition. Assume the time constant of the resistor and capacitor across the output inductors matches that of the inductor, the crossover frequency of the voltage loop can be estimated by Equations (13), where CE and RCE are the equivalent capacitance and ESR of output capacitors respectively and RLE is the equivalent resistance of inductor DCR.

$$f_c = \frac{R_{DRP}}{2\pi * C_E * (G_{CS} * R_{FB} * R_{LE} - R_{CE})} \tag{13}$$

R_{COMP} and C_{COMP} have limited effect on the crossover frequency, and are used only to fine tune the crossover frequency and transient load response. Choose the desired crossover frequency f_{c1} around f_c estimated by Equation (13) and determine R_{COMP} and C_{COMP}.

$$R_{COMP} = \frac{(2\pi * f_{C1})^2 * L_E * C_E * R_{FB}}{V_{IN} * F_M} \quad (14)$$

$$C_{COMP} = \frac{10 * \sqrt{L_E * C_E}}{R_{COMP}} \quad (15)$$

CCP1 is optional and may be needed in some applications to reduce the jitter caused by the high frequency noise. A ceramic capacitor between 10pF and 220pF is usually enough. In equation (14), V_{IN} is the input voltage, F_M is the PWM comparator gain (refer to equation (22)).

Type III Compensation

Determine the compensation at no load, the worst case condition. Assume the time constant of the resistor and capacitor across the output inductors matches that of the inductor, the crossover frequency of the voltage loop can be estimated by Equations (16).

$$f_c = \frac{R_{DRP}}{2\pi * C_E * G_{CS} * R_{FB} * R_{LE}} \quad (16)$$

Choose the desired crossover frequency f_{c1} around f_c estimated by Equation (16). Select other components to ensure the slope of close loop gain is -20dB/Dec around the crossover frequency. Choose resistor R_{FB1} according to Equation (17), and determine C_{FB} and C_{DRP} from Equations (18) and (19).

$$R_{FB1} = \frac{1}{2} R_{FB} \quad \text{to} \quad R_{FB1} = \frac{2}{3} R_{FB} \quad (17)$$

$$C_{FB} = \frac{1}{4\pi * f_{C1} * R_{FB1}} \quad (18)$$

$$C_{DRP} = \frac{(R_{FB} + R_{FB1}) * C_{FB}}{R_{DRP}} \quad (19)$$

R_{COMP} and C_{COMP} have limited effect on the crossover frequency, and are used only to fine tune the crossover frequency and transient load response. Determine R_{COMP} and C_{COMP} from Equations (20) and (21), where F_M is the PWM comparator gain defined by Equation (22).

$$R_{COMP} = \frac{(2\pi * f_{C1})^2 * L_E * C_E * R_{FB}}{V_I * F_M} \quad (20)$$

$$C_{COMP} = \frac{10 * \sqrt{L_E * C_E}}{R_{COMP}} \quad (21)$$

$$F_M = \frac{V_o}{V_I * V_{RAMP}} \quad (22)$$

CCP1 is optional and may be needed in some applications to reduce the jitter caused by the high frequency noise. A ceramic capacitor between 10pF and 220pF is usually enough.

Set BIASOUT Voltage Resistor Rset

BIASOUT pin provides 150mA open-looped regulated voltage for GATE drive bias, and the voltage is set by SETBIAS through an external resistor Rset connecting between SETBIAS pin and ground. Bias current $I_{SETBIAS}$ is a function of ROsc. Rset is chosen by equation (23)

$$R_{SET} = \frac{V_{BIASOUT}}{I_{SETBIAS}} \quad (23)$$

DESIGN EXAMPLE

IR3092 Demo Board Rev.2 for VRD10.0 FMB1.5

Specifications:

Input Voltage: $V_I=12\text{ V}$
 DAC Voltage: $V_{DAC}=1.35\text{ V}$
 No Load Output Voltage Offset: $V_{O_NLOFST}=25\text{ mV}$
 Output Current: $I_O=80\text{ A DC}$
 Output Current Limit set point: $I_{LIMIT}=100\text{ A}$
 Output Impedance: $R_O=1.3\text{ m}\Omega$
 VCC Ready to VCC Power Good Delay: $t_{VCCPG}=0-10\text{mS}$
 Soft Start Time: $t_{SS}=2\text{ mS}$
 Dynamic VID Down-Slope Slew Rate: $SR_{DOWN}=2.5\text{mV}/\mu\text{S}$

Power Stage Design

Control IC: IR3092
 Phase Number: $n=2$
 Switching Frequency: $f_{SW}=180\text{ kHz}$
 Output Inductor(per phase): $L=0.45\text{ }\mu\text{H}$, $R_L=0.7\text{ m}\Omega$ (1m Ω when winding temperatures around 120C)
 Output Capacitors: $C_E=0.011\text{F}$, $R_{CE}=1\text{ m}\Omega$

External Components

Oscillator Resistor R_{OSC}

Once the switching frequency is chosen, R_{OSC} can be determined from the curve in this datasheet. For switching frequency of 180 kHz per phase,

Choose $R_{OSC}=47.5\text{k}\Omega$

Soft Start Capacitor C_{SS}

Calculate the soft start capacitor from the required soft start time 6mS.

$$C_{SS} = \frac{I_{CHG} * t_{SS}}{V_O} = \frac{55 * 10^{-6} * 2 * 10^{-3}}{1.35 - 25 * 10^{-3}} = 8.3 * 10^{-8} \text{ F} \quad \text{Choose } C_{SS} = 0.1 \text{ }\mu\text{F}$$

With the selected C_{SS} value, we can calculate the following delay times:

The Over-Current fault latch delay time t_{OCDEL} will be:

$$t_{OCDEL} = \frac{C_{SS} * \Delta V}{I_{DISCHG}} = \frac{0.1 * 10^{-6} * 0.25}{50.5 * 10^{-6}} = 0.5\text{mS}$$

The soft start delay time is

$$t_{SSDEL} = \frac{C_{SS} * \Delta V}{I_{CHG}} = \frac{0.1 * 10^{-6} * 1.3}{55 * 10^{-6}} = 2.3mS$$

The power good delay time is

$$t_{VccPG} = \frac{C_{SS} * \Delta V}{I_{CHG}} = \frac{0.1 * 10^{-6} * (3.75 - V_O - 1.3)}{55 * 10^{-6}} = 2.0mS$$

VDAC Slew Rate Programming Capacitor CDAC and Resistor RDAC

From this data sheet, the sink current I_{SINK} of VDAC pin corresponding to $R_{OSC}=47.5k\Omega$ is 50uA. Calculate the VDAC down-slope slew-rate programming capacitor from the required down-slope slew rate.

$$C_{VDAC} = \frac{I_{SINK}}{SR_{DOWN}} = \frac{50 * 10^{-6}}{2.5 * 10^{-3} / 10^{-6}} = 20nF$$

Choose $C_{VDAC}=22nF$

Calculate the programming resistor.

$$R_{DAC} = 0.5 + \frac{3.2 * 10^{-15}}{C_{DAC}^2} = 0.5 + \frac{3.2 * 10^{-15}}{(22 * 10^{-9})^2} = 7.1\Omega$$

In practice slightly adjust RDAC to get desired slew rate.

The source current of VDAC pin is 55uA, and the VDAC up-slope slew rate is

$$SR_{UP} = \frac{I_{SOURCE}}{C_{VDAC}} = \frac{55 * 10^{-6}}{22 * 10^{-9}} = 2.5mV / \mu S$$

Over Current Setting Resistor ROCSET

According to the spec, the output current limit set point $I_{LIMIT} = 100A$. The bias current I_{OCSET} set by R_{ROSC} is around 26uA. Use Equation (10) to calculate the value of ROCSET:

$$R_{OCSET} = \left(\frac{I_{LIMIT}}{2} + \frac{V_o * (V_{in} - V_o)}{2 * L * V_{in} * f_{sw}} \right) * R_L * 23.5 / I_{OCSET} = \left(\frac{100}{2} + \frac{1.325 * (12 - 1.325)}{2 * 0.45 * 10^{-6} * 12 * 180 * 10^3} \right) * \frac{1 * 10^{-3} * 23.5}{26 * 10^{-6}}$$

$$= 52 \text{ k}\Omega \qquad \text{Choose } R_{OCSET}=52.3K\Omega$$

No Load Output Voltage Setting Resistor RFB and Adaptive Voltage Positioning Resistor RDRP

The value of the internal current source current I_{ROSC} (I_{FB} in this datasheet curve) is 26uA according to $R_{ROSC} = 47.5k\Omega$.

$$R_{FB} = \frac{V_{O_NLOFST}}{I_{ROSC}} = \frac{25 * 10^{-3}}{26 * 10^{-6}} = 961\Omega \quad \text{Choose RFB} = 1k\Omega$$

$$R_{DRP} = \frac{R_{FB} * R_L * 23.5}{2 * R_O} = \frac{1 * 10^3 * 1 * 10^{-3} * 23.5}{2 * 1.3 * 10^{-3}} = 9.4k\Omega \quad \text{Choose RDRP} = 9.53k\Omega$$

Inductor Current Sensing Capacitor Ccs and Resistors Rcs and Rcs0

Choose capacitor Ccs = 0.22uF calculate Rcs

$$R_{CS} = \frac{L/R_L}{C_{CS}} = \frac{0.45 * 10^{-6} / 0.7 * 10^{-3}}{0.22 * 10^{-6}} = 2.9k\Omega \quad \text{Choose Rcs}=3k\Omega$$

The bias currents of CSIN+ and CSIN- are 0.2uA and 0.4uA respectively. Calculate resistor Rcs0,

$$R_{CS0} = \frac{I_{CSIN+}}{I_{CSIN-}} * R_{CS} = \frac{0.2}{0.4} * 3k\Omega = 1.5k\Omega$$

Set BIASOUT voltage Resistor Rset

Bias current I_{SETBIAS} is around 95uA in this case. Set VBIASOUT around 8V to be gate drive voltage of MOSFETs.

$$R_{SET} = \frac{V_{BIASOUT}}{I_{SETBIAS}} = \frac{8}{95 * 10^{-6}} = 84.21k\Omega \quad \text{Choose RSET}=82.5k\Omega$$

Compensation of Voltage Loop

AL-Polymer output capacitors are used in the design, and the crossover frequency of the voltage loop can be estimated as,

$$f_c = \frac{R_{DRP}}{2\pi * C_E * (G_{CS} * R_{FB} * R_{LE} - R_{CE})} = \frac{9.53 * 10^3}{2\pi * 0.011 * [23.5 * 1 * 10^3 * (0.7 * 10^{-3} / 2) - 1 * 10^{-3}]} = 17kHz$$

R_{COMP} and C_{COMP} are used to fine tune the crossover frequency and transient load response. Choose the desired crossover frequency fc1 (=25kHz) and determine R_{COMP} and C_{COMP}.

$$F_M = \frac{V_O}{V_I * V_{RAMP}} = \frac{1.325}{12 * 0.63} = 0.175$$

$$R_{COMP} = \frac{(2\pi * f_{C1})^2 * L_E * C_E * R_{FB}}{V_I * F_M} = \frac{(2\pi * 25 * 10^3)^2 * (450 * 10^{-9} / 2) * 0.011 * 1 * 10^3}{12 * 0.175} = 30k\Omega$$

$$C_{COMP} = \frac{10 * \sqrt{L_E * C_E}}{R_{COMP}} = \frac{10 * \sqrt{(450 * 10^{-9} / 2) * 0.011}}{30 * 10^3} = 17nF$$

In practice, adjust R_{COMP} and C_{COMP} if need to get desired dynamic load response performance.

MathCAD file to estimate the power dissipation of the IC

Initial Conditions:

No.of Phases: $n := 2$

IC Supply Voltage: $V_{cc} := 12(V)$, IC Supply Current(quiescent): $I_{cq} := 29(mA)$

Total High side Driver VCCH supply current(quiescent): $I_{qh} := 5 \cdot n (mA)$

Total Low side Driver VCCL supply Current(quiescent): $I_{ql} := 5 \cdot n (mA)$

Biasout Voltage: $V_{bias} := 7.5(V)$

Switching Frequency per phase: $f_{sw} := 200(kHz)$

Thermal Impedance of IC: $\theta_{JA} := 27(^{\circ}C/W)$

The data from the selected MOSFETs:

Control FET IR3715Z, Number of Control FET per phase: $n_c := 2$

Control FET total gate charge: $Q_{gc} := 11(nC)$

Synchronous FET IR3717, Number of sync. FET per phase: $n_s := 2$

Sync FET total gate charge: $Q_{gs} := 33(nC)$

The IC will have less power dissipation if using external gate driver supply. For the worst case estimation, assume using the bias regulator for all the gate drive supply voltage.

1. Quiescent Power dissipation

Total Quiescent Power Dissipation:

$$P_q := (I_{cq} + I_{qh} + I_{ql}) \cdot V_{cc} \cdot 10^{-3} \quad P_q = 0.588 (W)$$

2. The Power Loss to drive the gate of the MOSFETs

With the assumption of the low MOSFET gate resistances, most gate drive losses are dissipated in the driver circuit.

$$P_{drv} := V_{bias} \cdot f_{sw} \cdot 10^3 \cdot n \cdot [(n_c \cdot Q_{gc} + n_s \cdot Q_{gs}) \cdot 10^{-9}] \quad P_{drv} = 0.264 (W)$$

Where the $I_g := f_{sw} \cdot 10^3 \cdot n \cdot (n_c \cdot Q_{gc} + n_s \cdot Q_{gs}) \cdot 10^{-9}$ term in the equation gives the total average bias current required to drive all the MOSFETs.

3. The bias regulator Power Loss to supply driving the MOSFETs

$$P_{reg} := (V_{cc} - V_{bias}) \cdot I_g \quad P_{reg} = 0.158 (W)$$

4. Total Power Dissipation of the IC:

$$P_{diss} := P_q + P_{drv} + P_{reg} \quad P_{diss} = 1.01 (W)$$

And the total Junction temperature rising is: $P_{diss} \cdot \theta_{JA} = 27.281 (^{\circ}C)$

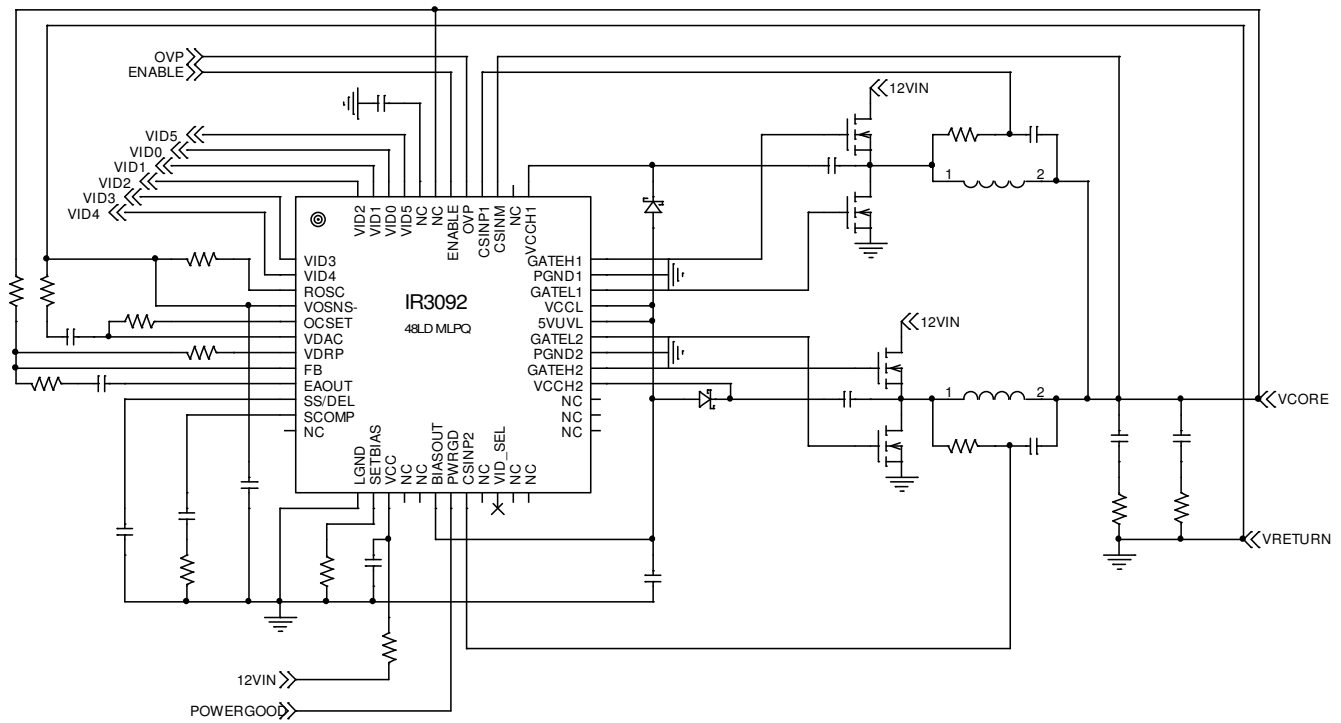


Figure 12. 12V Control, 12V Power Opteron Converter

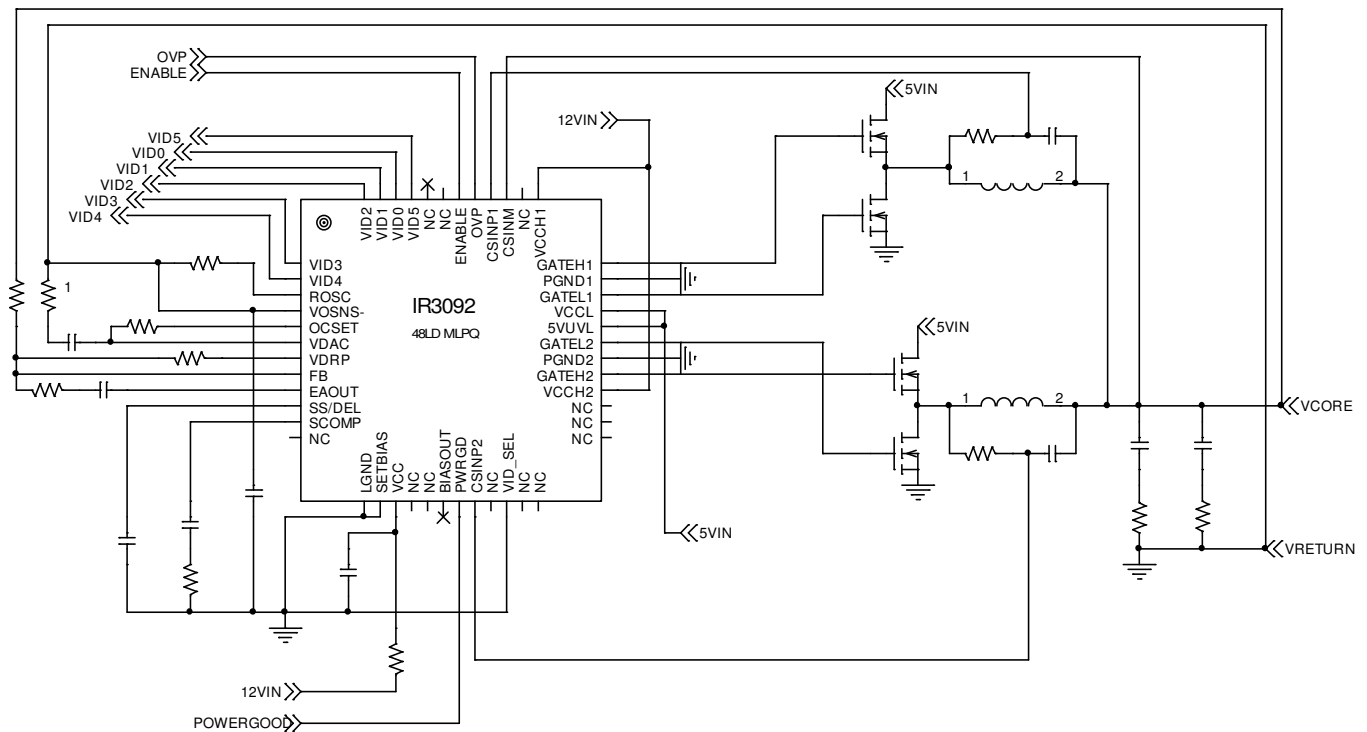


Figure 13. 12V Control, 5V Power, VR10.0 Converter

LAYOUT GUIDELINES

The following layout guidelines are recommended to reduce the parasitic inductance and resistance of the PCB layout, therefore minimizing the noise coupled to the IC. Refer to the schematic in Figure 6 – System Diagram.

- Dedicate at least one inner layer of the PCB as power ground plane (PGND).
- The center pad of IC must be connected to ground plane (PGND) using the recommended via pattern shown in “PCB and Stencil Design Methodology”.
- The IC’s PGND1, 2 and LGND should connect to the center pad under IC.
- The following components must be grounded directly to the LGND pin on the IC using a ground plane on the component side of PCB: CSS, RSC2, RSET, and CVCC. The LGND should only be connected to ground plane on the center pad under IC
- Place the decoupling capacitors CVCC and CBIAS as close as possible to the VCC and VCCL pins. The ground side of CBIAS should not be connected to LGND and it should directly be grounded through vias.
- The following components should be placed as close as possible to the respective pins on the IC: RROSC, ROCSET, CDAC, RDAC, CSS, CSC2, RSC2, CCOMP RCOMP and RSET.
- Place current sense capacitors CCS1, 2 and resistors RCS1, 2 as close as possible to CSINP1, 2 pins of IC and route the two current sense signals in pairs connecting to the IC. The current sense signals should be located away from gate drive signals and switch nodes.
- Use Kelvin connections to route the current sense traces to each individual phase inductor, in order to achieve good current share between phases.
- Place the input decoupling capacitors closer to the drain of top MOSFET and the source of the bottom MOSFET. If possible, use multiple smaller value ceramic caps instead of one big cap, or use low inductance type of ceramic cap, to reduce the parasitic inductance.
- Route the high current paths using wide and short traces or polygons. Use multiple vias for connections between layers.
- The symmetry of the following connections from phase to phase is important for proper operation:
 - The Kelvin connections of the current sense signals to inductors.
 - The gate drive signals from the IC to the MOSFETS.
 - The polygon shape of switching nodes.

PCB AND STENCIL DESIGN METHODOLOGY

- 7x7
- 48 Lead
- 0.5mm pitch MLPQ

See Figures 14-16.

PCB Metal Design (0.5mm Pitch Leads)

1. Lead land width should be equal to nominal part lead width. The minimum lead to lead spacing should be $\geq 0.2\text{mm}$ to minimize shorting.
2. Lead land length should be equal to maximum part lead length + 0.2 mm outboard extension + 0.05mm inboard extension. The outboard extension ensures a large and inspectable toe fillet, and the inboard extension will accommodate any part misalignment and ensure a fillet.
3. Center pad land length and width should be = maximum part pad length and width. However, the minimum metal to metal spacing should be $\geq 0.17\text{mm}$ (2 oz. Copper, $\geq 0.23\text{mm}$ for 3 oz. Copper and $\geq 0.1\text{mm}$ for 1 oz. Copper)
4. Sixteen 0.30mm diameter vias shall be placed in the pad land spaced at 1.2mm, and connected to ground to minimize the noise effect on the IC, and to transfer heat to the PCB.

PCB Solder Resist Design (0.5mm Pitch Leads)

1. Lead lands. The solder resist should be pulled away from the metal lead lands by a minimum of 0.060mm. The solder resist mis-alignment is a maximum of 0.050mm and it is recommended that the lead lands are all NSMD. Therefore pulling the S/R 0.060mm will always ensure NSMD pads.
2. The minimum solder resist width is 0.13mm, therefore it is recommended that the solder resist is completely removed from between the lead lands forming a single opening for each "group" of lead lands.
3. At the inside corner of the solder resist where the lead land groups meet, it is recommended to provide a fillet so a solder resist width of $\geq 0.17\text{mm}$ remains.
4. Land Pad. The land pad should be SMD, with a minimum overlap of the solder resist onto the copper of 0.060mm to accommodate solder resist mis-alignment. In 0.5mm pitch cases it is allowable to have the solder resist opening for the land pad to be smaller than the part pad.
5. Ensure that the solder resist in-between the lead lands and the pad land is $\geq 0.15\text{mm}$ due to the high aspect ratio of the solder resist strip separating the lead lands from the pad land.
6. The single via in the land pad should be tented with solder resist 0.4mm diameter, or 0.1mm larger than the diameter of the via.

Stencil Design (0.5mm Pitch Leads)

1. The stencil apertures for the lead lands should be approximately 80% of the area of the lead lands. Reducing the amount of solder deposited will minimize the occurrence of lead shorts. Since for 0.5mm pitch devices the leads are only 0.25mm wide, the stencil apertures should not be made narrower; openings in stencils $< 0.25\text{mm}$ wide are difficult to maintain repeatable solder release.
2. The stencil lead land apertures should therefore be shortened in length by 80% and centered on the lead land.
3. The center land pad aperture should be striped with 0.25mm wide openings and spaces to deposit approximately 50% area of solder on the center pad. If too much solder is deposited on the center land pad the part will float and the lead lands will be open.
4. The maximum length and width of the center land pad stencil aperture should be equal to the solder resist opening minus an annular 0.2mm pull back to decrease the incidence of shorting the center land to the lead lands when the part is pushed into the solder paste.

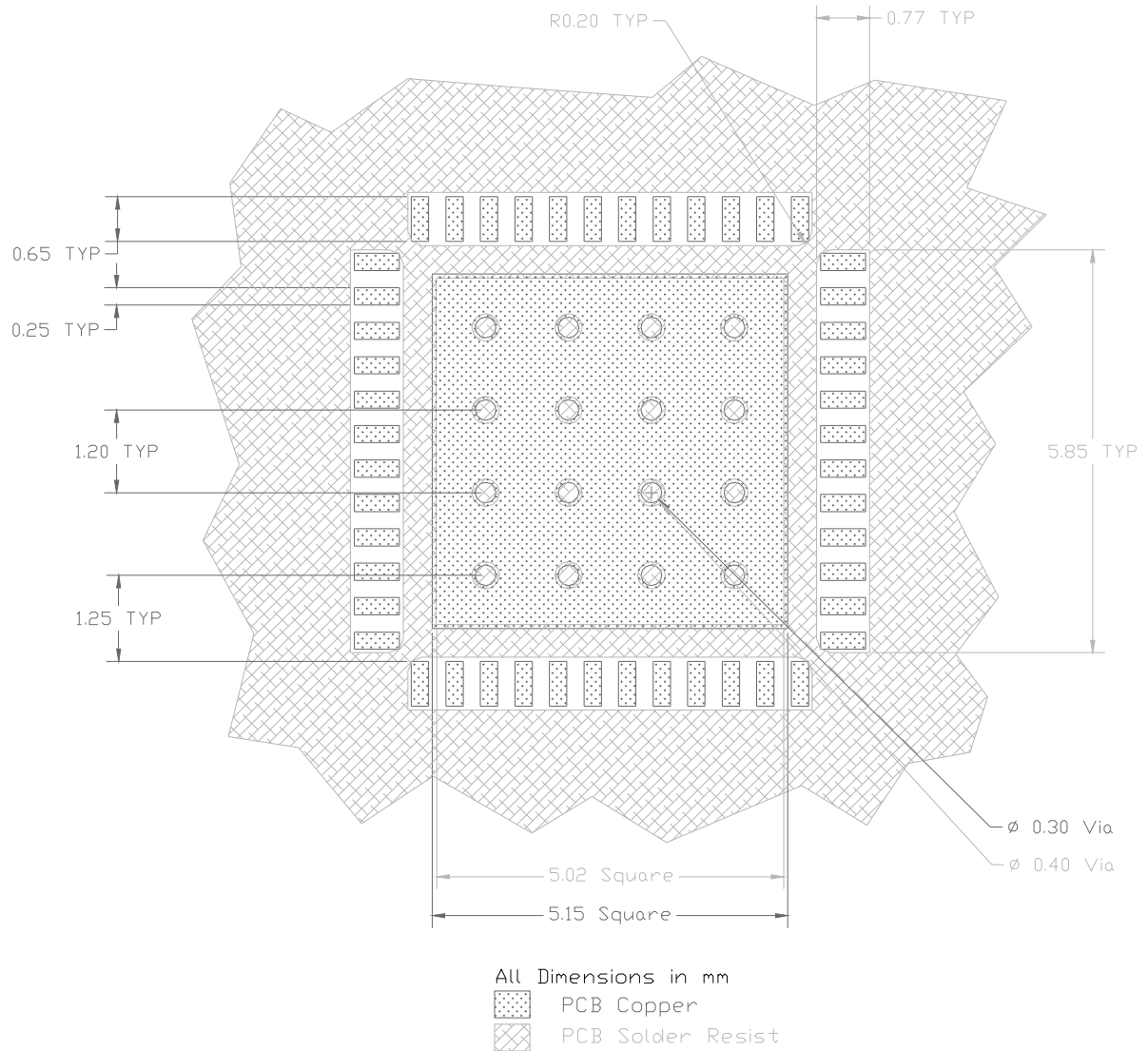


Figure 14. PCB metal and solder resist.

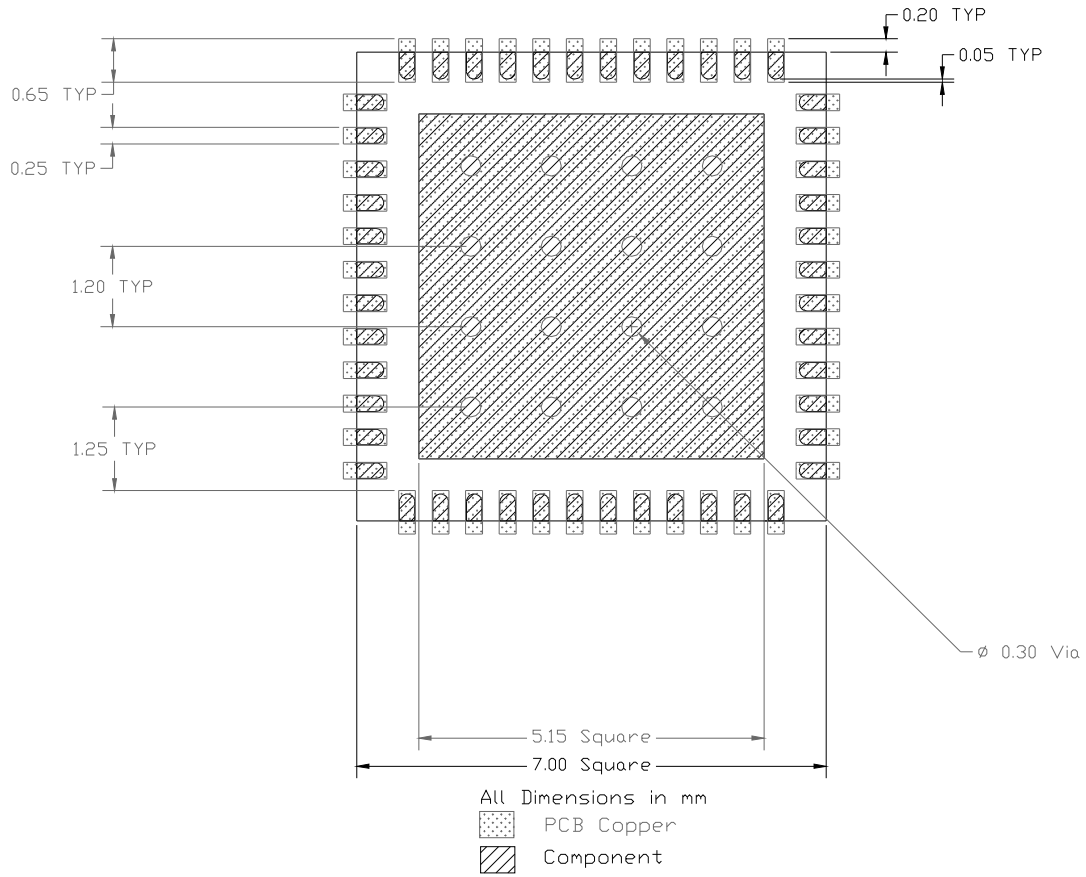
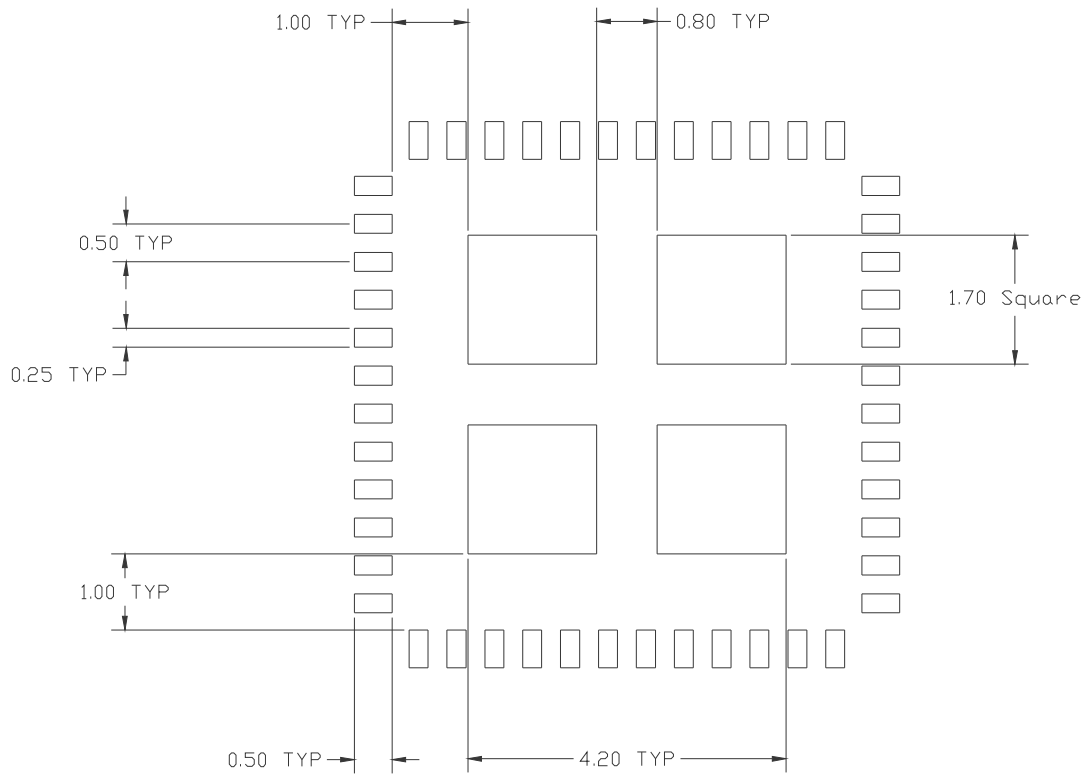


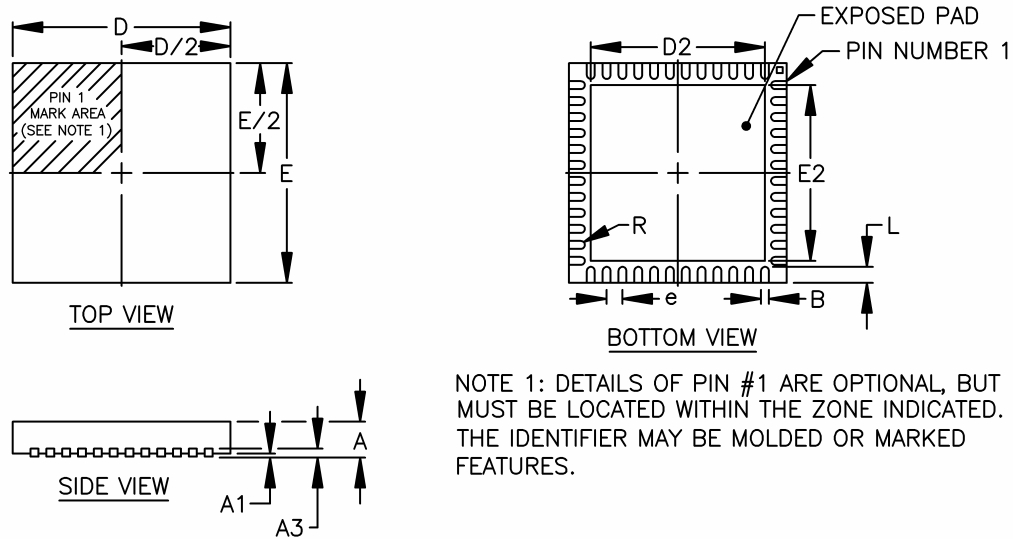
Figure 15. PCB metal and component placement.



Stencil Aperture
All Dimensions in mm

Figure 16. Stencil design.

PACKAGE DIMENSIONS



NOTE 1: DETAILS OF PIN #1 ARE OPTIONAL, BUT MUST BE LOCATED WITHIN THE ZONE INDICATED. THE IDENTIFIER MAY BE MOLDED OR MARKED FEATURES.

| SYMBOL | 48-PIN 7X7 | | |
|--------|------------|------|------|
| DESIG | MIN | NOM | MAX |
| A | 0.80 | 0.90 | 1.00 |
| A1 | 0.00 | 0.02 | 0.05 |
| A3 | 0.20 REF | | |
| B | 0.18 | 0.25 | 0.30 |
| D | 7.00 BSC | | |
| D2 | 5.50 | 5.65 | 5.80 |
| E | 7.00 BSC | | |
| E2 | 5.50 | 5.65 | 5.80 |
| e | 0.50 BSC | | |
| L | 0.35 | 0.40 | 0.45 |
| R | 0.09 | — | — |

NOTE: ALL DIMENSIONS ARE IN MILLIMETERS.

Data and specifications subject to change without notice.
 This product has been designed and qualified for the Consumer market.
 Qualification Standards can be found on IR's Web site.