

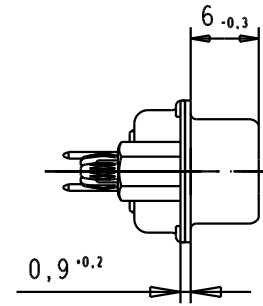
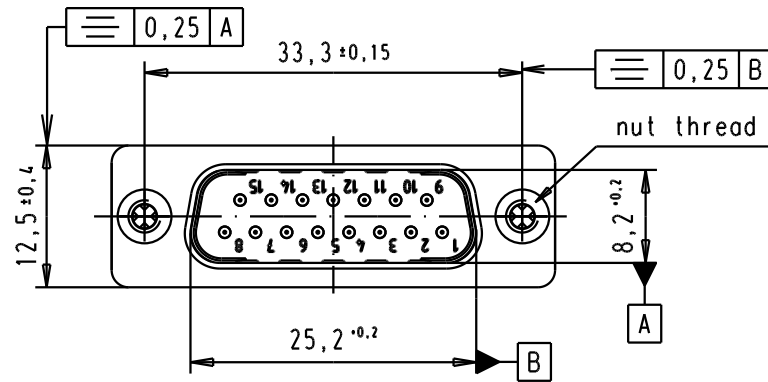
5

4

3

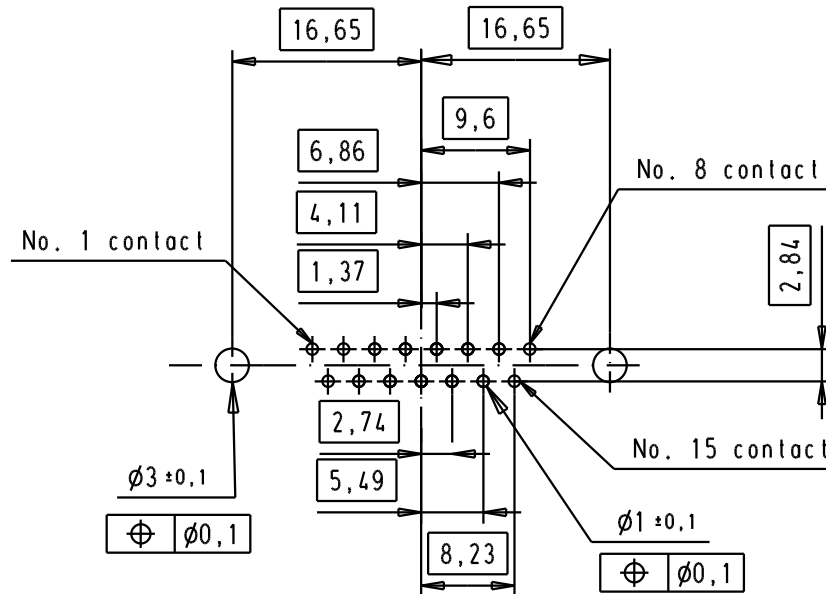
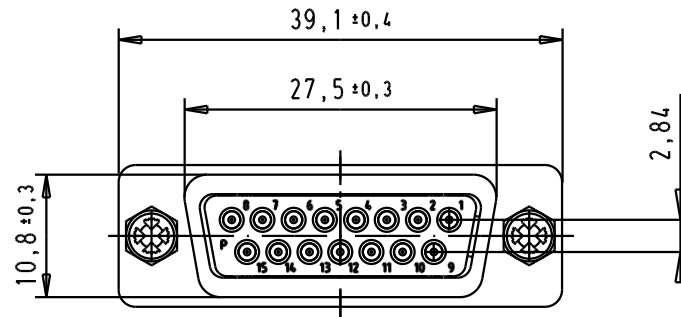
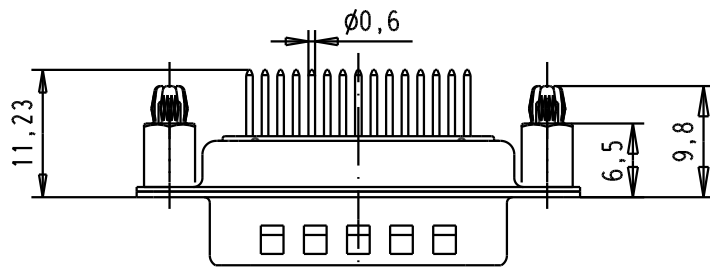
2

1



PCB Layout, Component side

PCB thickness 1,6 mm



## SPECIFICATION

Mating Cycles	500
Filter type	C
Capacitance	47pf ± 20%
Working Voltage	100v
Current Rating	7,5A
Insulation Resistance	>1GΩ

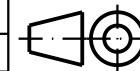
FREQUENCY (MHz)	ATTENUATION dB
5	-
10	-
50	-
100	-
500	30dB
1000	35dB

Dat. Name

Detail. 8-JUL-02 CV

Insp.

Stand.

All Dim. in mm  
Orig. Size DIN A 4

D-Sub, male, straight,  
15 Poles, solder pins, tin  
plated shell with dimples,  
spacer nuts and board-locks

Mo?Ms lab/  
Scale

1.5:1

09642227216

M3

33267

17/11/05

JMDR

09642227215

UNC 4-40

31058

8-JUL-02

CV

Part number

Nut thread

Mod.

Dat.

Name

HARTING EURL  
F-95972 Paris

TB 0964222721x

Sub.

Blatt/ Page

2 / 3