

NOTES

- ①材料及び仕上げ(めっき仕様) : TABLE 1 参照
MATERIAL AND FINISHES : SEE TABLE 1
- 2. 製品仕様書 : 5019390000-PS 000
PRODUCT SPECIFICATION:
- 3. 梱包形態 : SEE SHEET 3
PACKAGING INFORMATION:
- ④嵌合相手 : 501939 シリーズ
MATES WITH:501939 SERIES
- 5. アプリケーション仕様書(コネクタ取扱い説明書) : 5013300000-AS A00(JAPANESE)/-A01(ENGLISH)
APPLICATION SPECIFICATION(CONNECTOR MANUAL):
- 6. ソルダーピン及びネイルの平坦度:0.1 MAX.
SOLDER PIN AND NAIL COPLANARITY: 0.1 MAX.
- ⑦偶数極に適用
APPLY FOR EVEN CIRCUIT
- 8. 本製品は錫めっき品である。金めっき品は以下の図面を御参照下さい。
THIS PRODUCT IS A TIN PLATING. PLEASE REFER TO THE FOLLOWING DRAWING FOR GOLD PLATING VERSION.

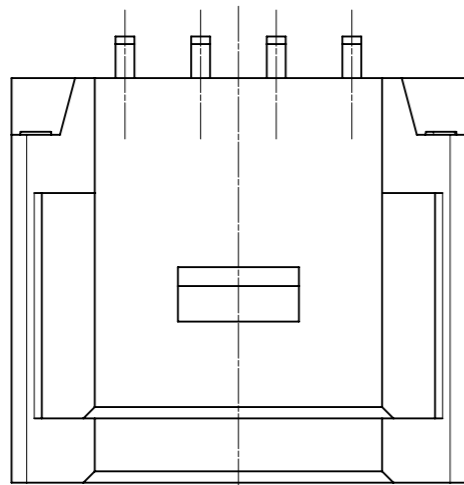
PLATING	PLATING THICKNESS [micro-meter MIN.]	SERIES No.	DRAWING No.
TIN	1.0	501953 **07	5019530000-SD PSD 000
GOLD	0.1	501953 **05	5019530001-SD PSD 000
	0.76	203563 **05	2035630000-SD PSD 000

3.4	5.2	4.0	7.0	5
		3.0	6.0	4
2.4	4.2	2.0	5.0	3
D	C	B	A	極数 CIRCUIT SIZE

番号 NO.	部品 PART	材質 MATERIAL	
①	ウエハー WAFER	ポリアミド(PA), UL94V-0, 色 : SEE SHEET 5 POLYAMIDE(PA), UL94V-0, COLOR : SEE SHEET 5	
②	ソルダーピン SOLDER PIN	リン青銅 PHOSPHOR BRONZE	
		接点部 CONTACT AREA	金めっき : 0.38 MICRO-METER MIN. GOLD PLATING
		テール部 TAIL AREA	金めっき : 0.05 MICRO-METER MIN. GOLD PLATING
	下地めっき UNDER PLATING	ニッケルめっき : 1.27 MICRO-METER MIN. NICKEL	
③	ネイル NAIL	黄銅 BRASS	
		テール部 TAIL AREA	錫めっき : 1.0 MICRO-METER MIN. MATTE TIN PLATING
		下地めっき UNDER PLATING	ニッケルめっき : 1.0 MICRO-METER MIN. NICKEL

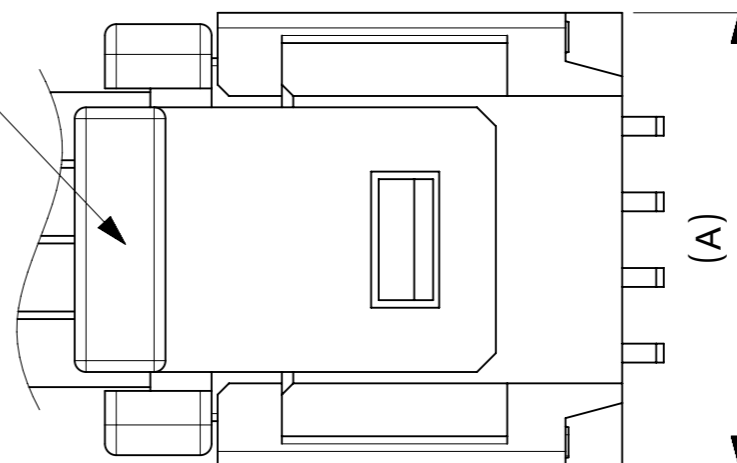
THIS DRAWING CONTAINS INFORMATION THAT IS PROPRIETARY TO MOLEX ELECTRONIC TECHNOLOGIES, LLC AND SHOULD NOT BE USED WITHOUT WRITTEN PERMISSION

DIMENSION UNITS	SCALE	CURRENT REV DESC:	
mm	NTS		
GENERAL TOLERANCES (UNLESS SPECIFIED)		EC NO: 614802	
ANGULAR TOL	± 3.0 °	DRWN: AISHIKAWA	2019/04/01
4 PLACES	± 0.2	CHK'D: AIDA	2019/04/03
3 PLACES	± 0.2	APPR: KOMURAKAMI	2019/04/03
2 PLACES	± 0.2	INITIAL REVISION:	
1 PLACE	± 0.2	DRWN: AISHIKAWA	2019/04/01
0 PLACES	± 0.2	APPR: KOMURAKAMI	2019/04/03
DRAFT WHERE APPLICABLE MUST REMAIN WITHIN DIMENSIONS		THIRD ANGLE PROJECTION	DRAWING
		①	A3-SIZE
		SERIES	203562
		MATERIAL NUMBER	SEE SHEET 5
		CUSTOMER	
		DOCUMENT NUMBER	2035620000-SD
		DOC TYPE	PSD
		DOC PART	000
		REVISION	A
		SHEET NUMBER	1 OF 5

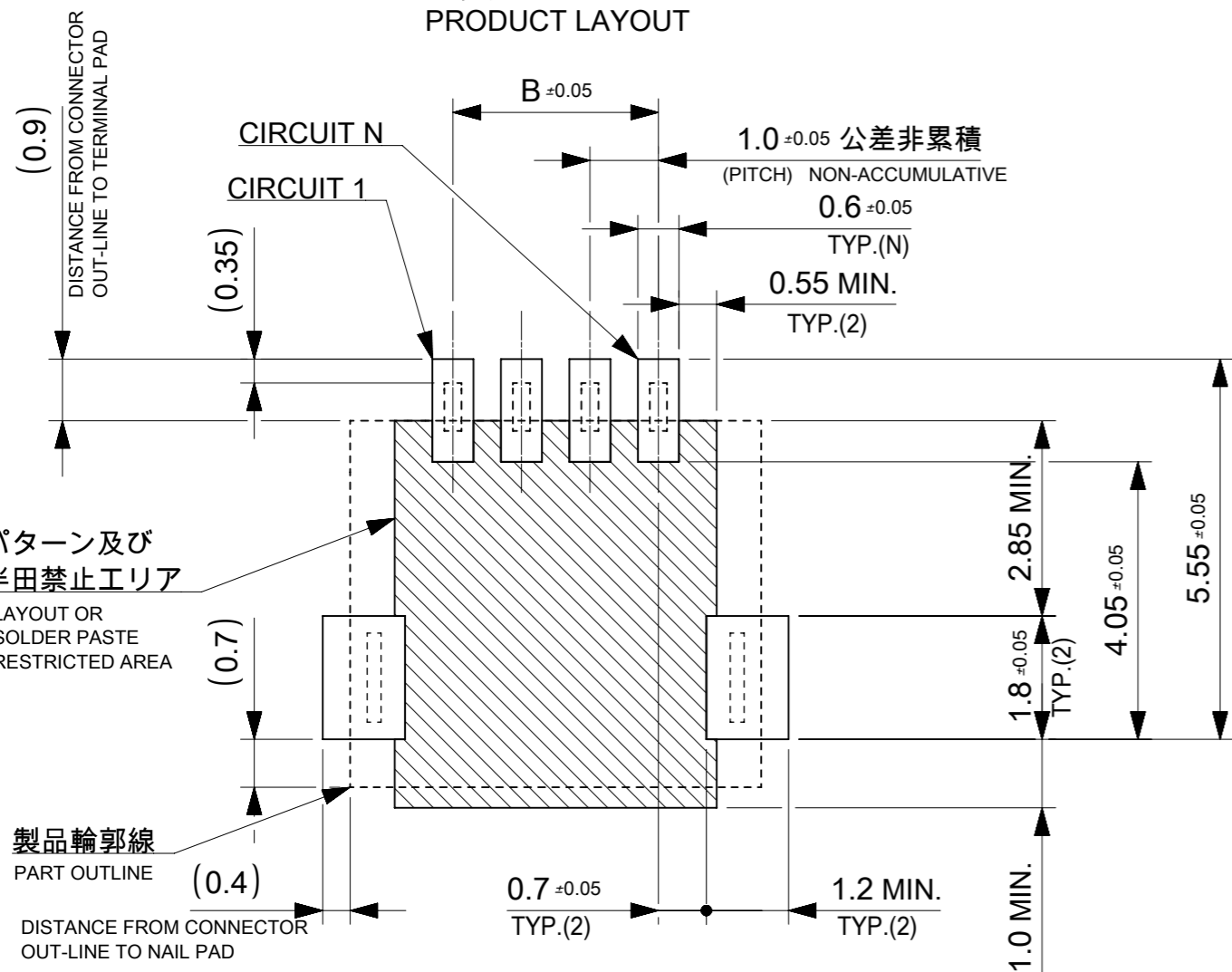


製品レイアウト
PRODUCT LAYOUT

△ 嵌合相手 : 501939シリーズ
MATE WITH: 501939 SERIES



(A)



パターン及び
半田禁止エリア
LAYOUT OR
SOLDER PASTE
RESTRICTED AREA

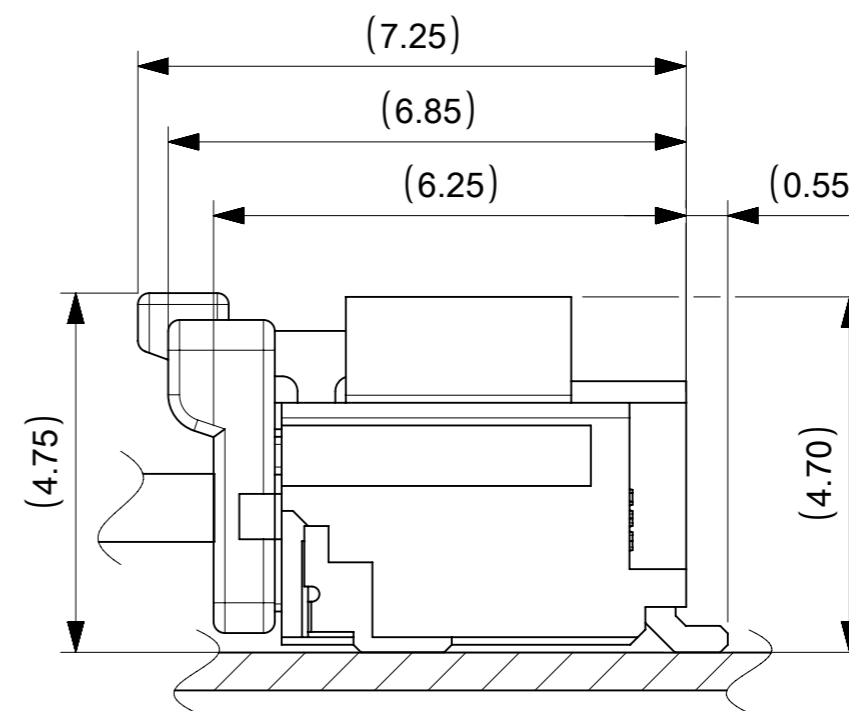
製品輪郭線
PART OUTLINE

推奨基板レイアウト(全極数適応) : 実装面側
(参考 : 基板厚 1.0mm, メタルマスク厚さ 0.12mm, マスク開口率100%)

POLARIZED RECOMMENDED PCB LAYOUT(APPLY TO ALL CIRCUITS) : COMPONENT SIDE
(REFERENCE: PCB THICKNESS 1.0mm, STENCIL THICKNESS 0.12mm, APERTURE RATIO 100%)

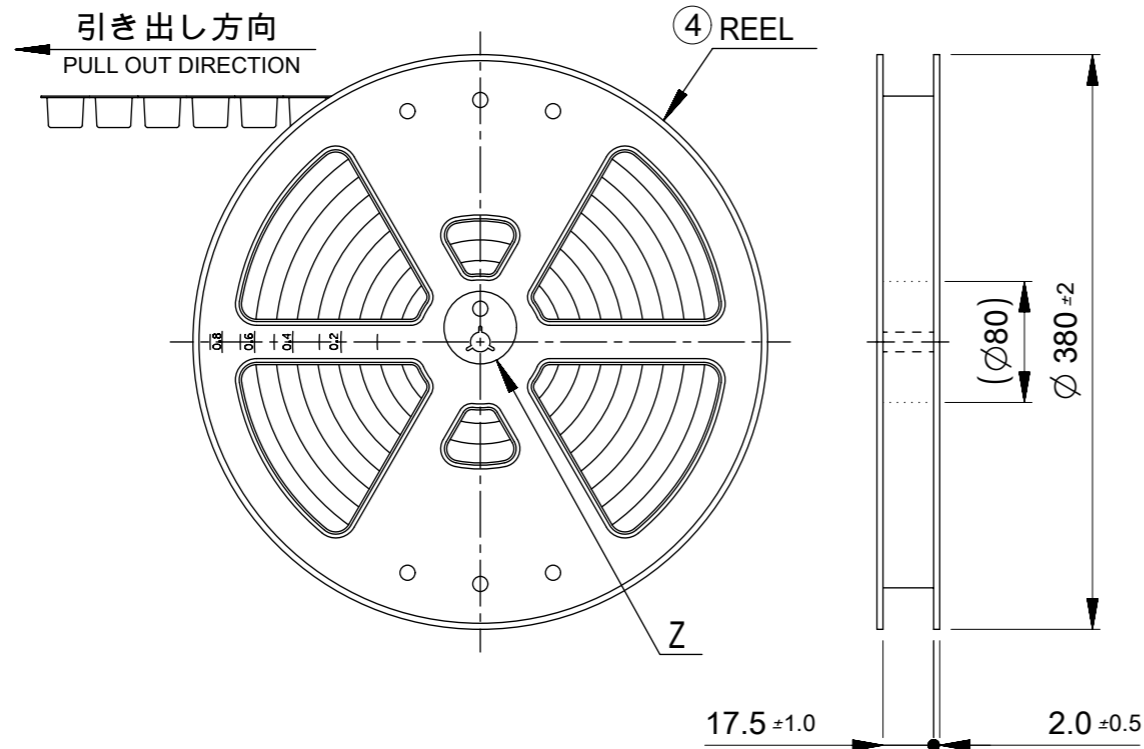


:パターン禁止エリア
RESTRICTED AREA
NO PCB COMPONENTS ALLOWED



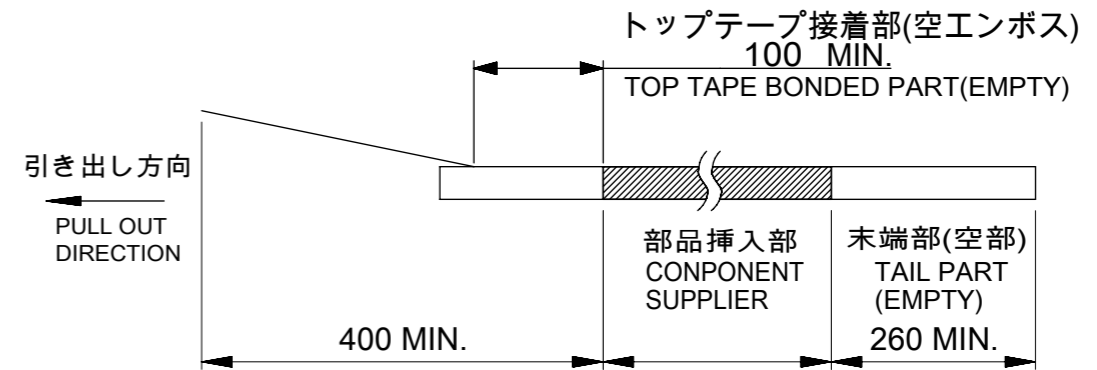
嵌合図
MATED CONNECTORS

THIS DRAWING CONTAINS INFORMATION THAT IS PROPRIETARY TO MOLEX ELECTRONIC TECHNOLOGIES, LLC AND SHOULD NOT BE USED WITHOUT WRITTEN PERMISSION		CURRENT REV DESC:		molex		
DIMENSION UNITS	SCALE					PICO-CLASP 1.0 W/B SINGLE ROW RA SMT OUTER LOCK GOLD PLATING 0.38 MICRO-METER
mm	NTS			PRODUCT CUSTOMER DRAWING		
GENERAL TOLERANCES (UNLESS SPECIFIED)		EC NO: 614802		DOCUMENT NUMBER		
ANGULAR TOL	± 3.0 °	DRWN: AISHIKAWA 2019/04/01		2035620000-SD		
4 PLACES	± 0.2	CHK'D: AIDA 2019/04/03		DOC TYPE		
3 PLACES	± 0.2	APPR: KOMURAKAMI 2019/04/03		PSD		
2 PLACES	± 0.2	INITIAL REVISION:		DOC PART		
1 PLACE	± 0.2	DRWN: AISHIKAWA 2019/04/01		000		
0 PLACES	± 0.2	APPR: KOMURAKAMI 2019/04/03		REVISION		
DRAFT WHERE APPLICABLE MUST REMAIN WITHIN DIMENSIONS		THIRD ANGLE PROJECTION	DRAWING	SERIES	MATERIAL NUMBER	CUSTOMER
			A3-SIZE	203562	SEE SHEET 5	
DOCUMENT STATUS		P1	RELEASE DATE	2019/04/03	09:48:41	SHEET NUMBER
						2 OF 5



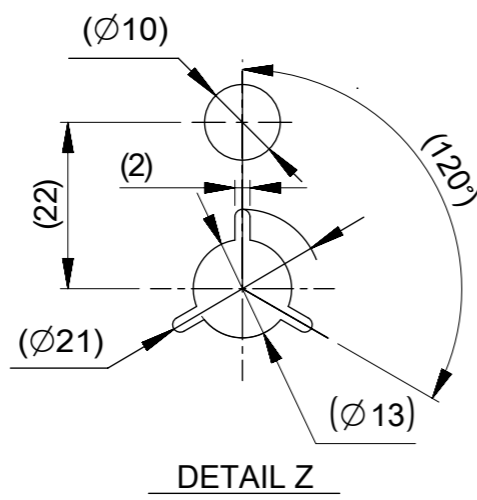
NOTES

- 9. 梱包数量:1300個/リール
NUMBER OF CONNECTORS : 1300 PIECES/REEL
- 10. リードテープ長さ
LEAD TAPE LENGTH



- 11. トップテープの剥離強度はIEC60286-3に準拠。
TOP TAPE PEELING FORCE IS DEFINED BY IEC60286-3.
- 12. 梱包仕様書 : 2035629200 PS 200
PACKAGE SPECIFICATION:

△13 発注番号 : SHEET 5 参照
ORDER No. : PLEASE REFER TO SHEET 5 FOR PRODUCT LIST.



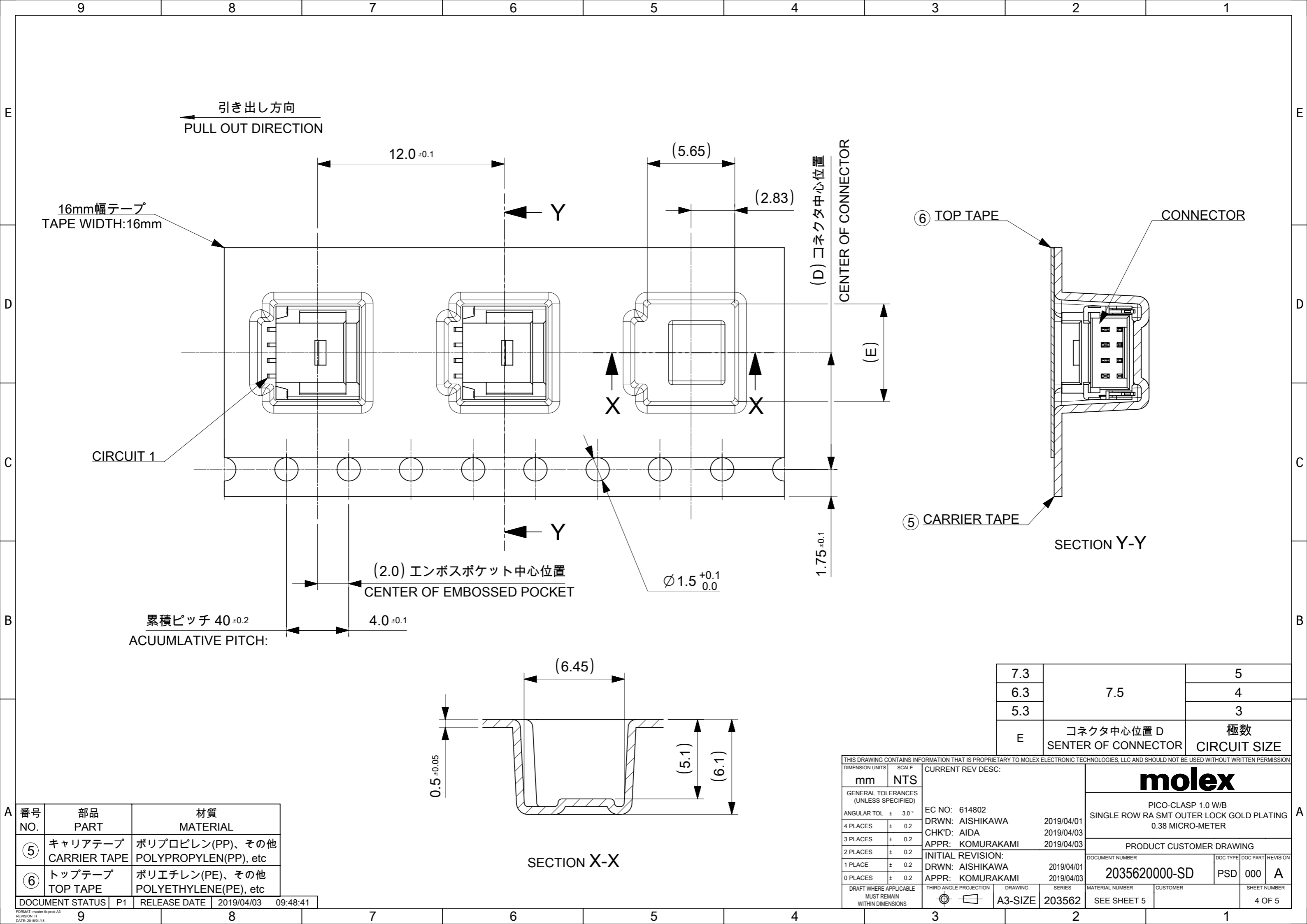
203562

** ** *

極数 CIRCUIT SIZE	ハウジングカラー HOUSING COLOR	製品識別番号 IDENTIFICATION NUMBER
	0:NATURAL(BEIGE)	5:EMBOSSED PACKAGE

THIS DRAWING CONTAINS INFORMATION THAT IS PROPRIETARY TO MOLEX ELECTRONIC TECHNOLOGIES, LLC AND SHOULD NOT BE USED WITHOUT WRITTEN PERMISSION		CURRENT REV DESC:		molex	
DIMENSION UNITS mm	SCALE NTS				
GENERAL TOLERANCES (UNLESS SPECIFIED)		EC NO: 614802		PICO-CLASP 1.0 W/B	
ANGULAR TOL	± 3.0 °	DRWN: AISHIKAWA	2019/04/01	SINGLE ROW RA SMT OUTER LOCK GOLD PLATING	
4 PLACES	± 0.2	CHK'D: AIDA	2019/04/03	0.38 MICRO-METER	
3 PLACES	± 0.2	APPR: KOMURAKAMI	2019/04/03	PRODUCT CUSTOMER DRAWING	
2 PLACES	± 0.2	INITIAL REVISION:		DOCUMENT NUMBER	
1 PLACE	± 0.2	DRWN: AISHIKAWA	2019/04/01	2035620000-SD	
0 PLACES	± 0.2	APPR: KOMURAKAMI	2019/04/03	DOC TYPE	DOC PART
DRAFT WHERE APPLICABLE MUST REMAIN WITHIN DIMENSIONS		THIRD ANGLE PROJECTION	DRAWING	SERIES	CUSTOMER
			A3-SIZE	203562	SEE SHEET 5
				MATERIAL NUMBER	SHEET NUMBER
					3 OF 5

番号 NO.	部品 PART	材質 MATERIAL
④	リール REEL	ポリスチレン(PS) <リサイクル材を含む> POLYSTYRENE(PS) <RECYCLE MATERIAL CONTAINED>
DOCUMENT STATUS	P1	RELEASE DATE 2019/04/03 09:48:41



引き出し方向
PULL OUT DIRECTION

16mm幅テープ
TAPE WIDTH:16mm

CIRCUIT 1

累積ピッチ 40 ±0.2
ACUUMLATIVE PITCH:

(2.0) エンボスポケット中心位置
CENTER OF EMBOSSED POCKET

SECTION X-X

(D) コネクタ中心位置
CENTER OF CONNECTOR

(E)

⑤ CARRIER TAPE

SECTION Y-Y

⑥ TOP TAPE

CONNECTOR

7.3	7.5	5
6.3		4
5.3		3
E	コネクタ中心位置 D SENTER OF CONNECTOR	極数 CIRCUIT SIZE

THIS DRAWING CONTAINS INFORMATION THAT IS PROPRIETARY TO MOLEX ELECTRONIC TECHNOLOGIES, LLC AND SHOULD NOT BE USED WITHOUT WRITTEN PERMISSION									
DIMENSION UNITS		SCALE		CURRENT REV DESC:					
mm		NTS							
GENERAL TOLERANCES (UNLESS SPECIFIED)									
ANGULAR TOL		± 3.0 °		EC NO: 614802					
4 PLACES		± 0.2		DRWN: AISHIKAWA 2019/04/01					
3 PLACES		± 0.2		CHK'D: AIDA 2019/04/03					
2 PLACES		± 0.2		APPR: KOMURAKAMI 2019/04/03					
1 PLACE		± 0.2		INITIAL REVISION:					
0 PLACES		± 0.2		DRWN: AISHIKAWA 2019/04/01					
				APPR: KOMURAKAMI 2019/04/03					
DRAFT WHERE APPLICABLE MUST REMAIN WITHIN DIMENSIONS				THIRD ANGLE PROJECTION		DRAWING		SERIES	
						A3-SIZE		203562	
DOCUMENT STATUS				MATERIAL NUMBER		CUSTOMER		SHEET NUMBER	
P1				2035620000-SD		SEE SHEET 5		4 OF 5	
RELEASE DATE				DOC TYPE		DOC PART		REVISION	
2019/04/03 09:48:41				PSD		000		A	

番号 NO.	部品 PART	材質 MATERIAL
⑤	キャリアテープ CARRIER TAPE	ポリプロピレン(PP)、その他 POLYPROPYLEN(PP), etc
⑥	トップテープ TOP TAPE	ポリエチレン(PE)、その他 POLYETHYLENE(PE), etc

DOCUMENT STATUS	P1	RELEASE DATE	2019/04/03 09:48:41
-----------------	----	--------------	---------------------

9 8 7 6 5 4 3 2 1

E

E

D

D

C

C

B

B

A

A

13 製品一覧 PRODUCT LIST

HOUSING COLOR	
NATURAL(BEIGE)	
203562 0505	5
203562 0405	4
203562 0305	3
発注番号 ORDER No.	極数
梱包形態 : エンボスリール PACKAGE:EMBOSSED REEL	CIRCUIT SIZE

THIS DRAWING CONTAINS INFORMATION THAT IS PROPRIETARY TO MOLEX ELECTRONIC TECHNOLOGIES, LLC AND SHOULD NOT BE USED WITHOUT WRITTEN PERMISSION									
DIMENSION UNITS	SCALE	CURRENT REV DESC:			molex				
mm	NTS								
GENERAL TOLERANCES (UNLESS SPECIFIED)		EC NO: 614802			PICO-CLASP 1.0 W/B				
ANGULAR TOL	± 3.0 °	DRWN: AISHIKAWA 2019/04/01			SINGLE ROW RA SMT OUTER LOCK GOLD PLATING				
4 PLACES	± 0.2	CHK'D: AIDA 2019/04/03			0.38 MICRO-METER				
3 PLACES	± 0.2	APPR: KOMURAKAMI 2019/04/03			PRODUCT CUSTOMER DRAWING				
2 PLACES	± 0.2	INITIAL REVISION:			DOCUMENT NUMBER		DOC TYPE	DOC PART	REVISION
1 PLACE	± 0.2	DRWN: AISHIKAWA 2019/04/01			2035620000-SD		PSD	000	A
0 PLACES	± 0.2	APPR: KOMURAKAMI 2019/04/03							
DRAFT WHERE APPLICABLE MUST REMAIN WITHIN DIMENSIONS		THIRD ANGLE PROJECTION	DRAWING	SERIES	MATERIAL NUMBER	CUSTOMER		SHEET NUMBER	
			A3-SIZE	203562	SEE SHEET 5			5 OF 5	

DOCUMENT STATUS	P1	RELEASE DATE	2019/04/03	09:48:41
-----------------	----	--------------	------------	----------

9 8 7 6 5 4 3 2 1

FORMAT: master-ib-prod-A3
REVISION: 11
DATE: 2018/01/18