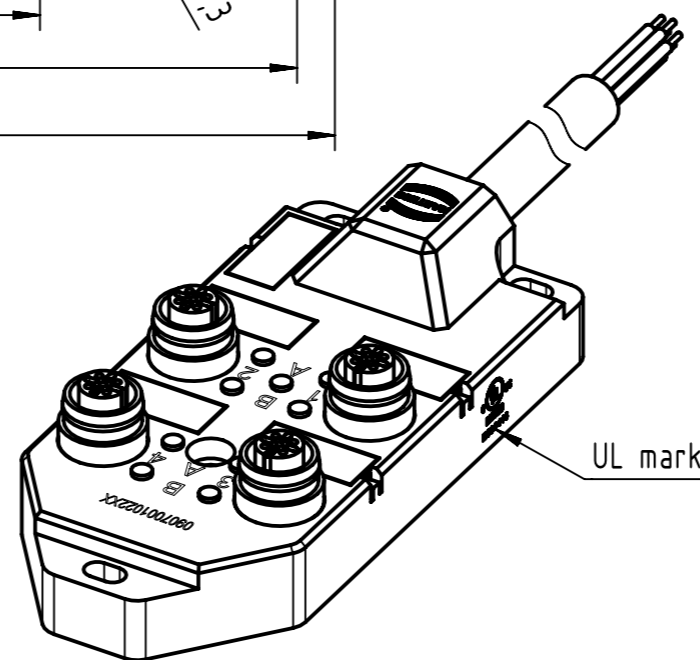
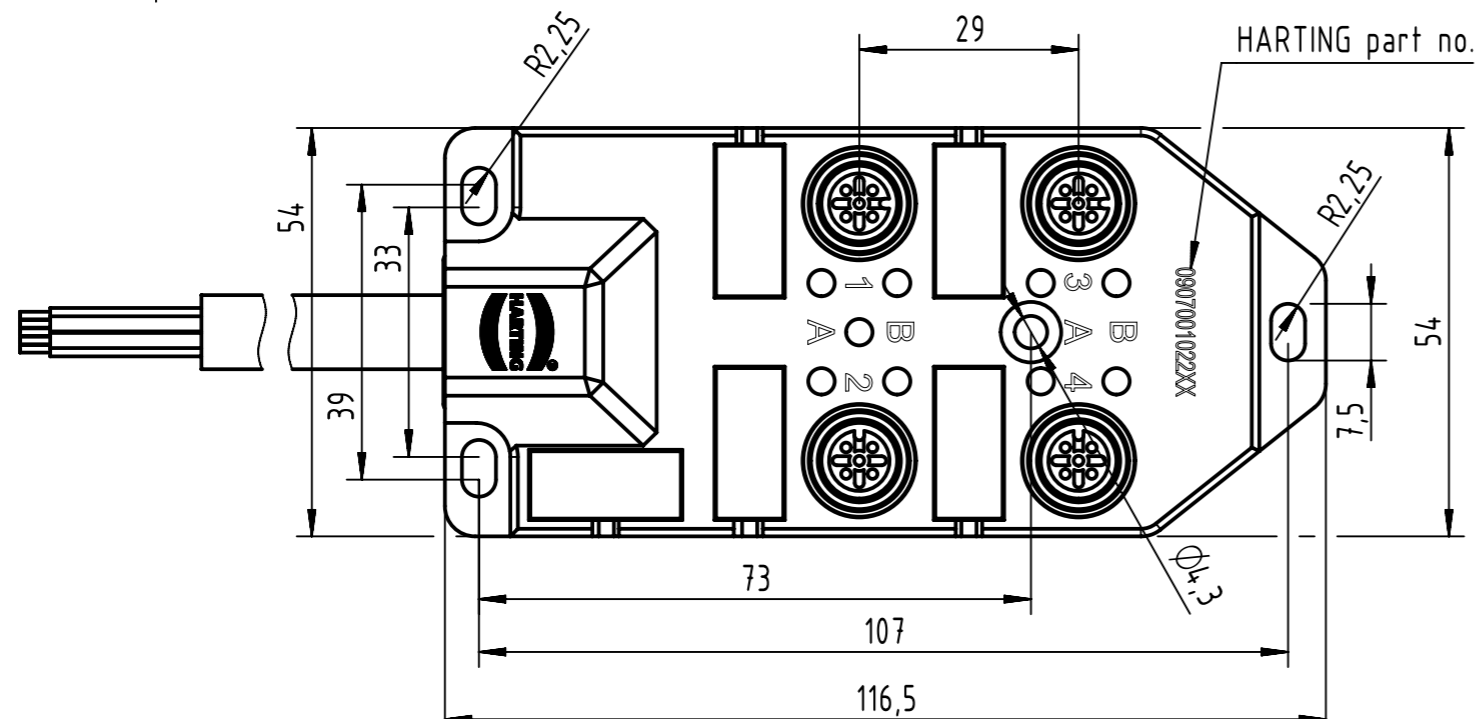
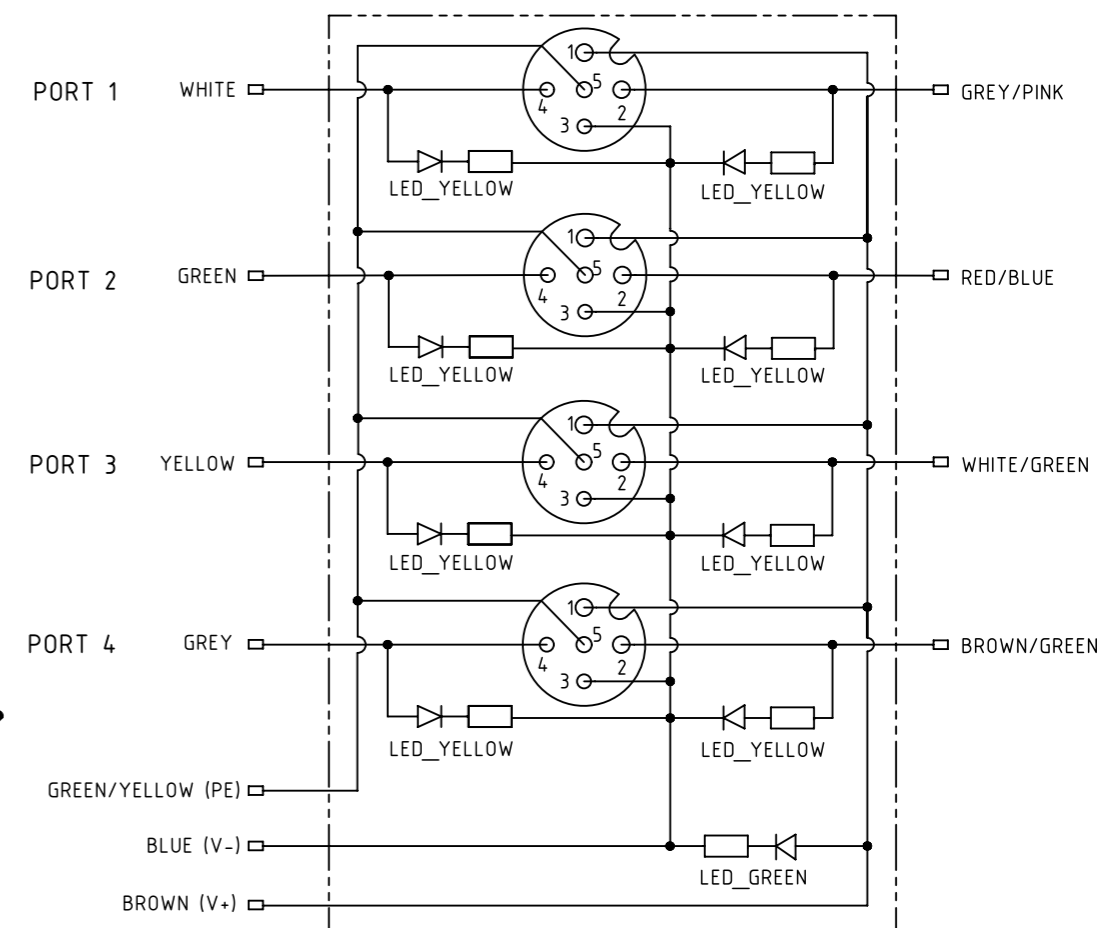


Loading plan



- Protection level: IP67
- Temperature range: $-30^{\circ}C \dots +80^{\circ}C$

6	090700102250	PVC, 3xAWG18 + 8xAWG22, black	10
5	090700102251		5
4	090700102253		2
3	090700102200		10
2	090700102201	PUR, 3xAWG18 + 8xAWG22, black	5
1	090700102203		2
Cont. no	HARTING part no.	Type of cable	Dim. a[m]

All Dimensions in mm

Tech. Character. Free size tol. According to production drawing

All rights reserved
Department HCS - RO

Created by 405181 Hadar
Inspected by COSTEA Costea
Standardisation MUNTEANV Muntean
Date 2021-03-26
State Final Release

HARTING Customised Solutions
D-32339 Espelkamp

Title har-SAB M12/4/5p PAC
Type TB Number 0907001022XX

Doc-Key / ECM-Nr. 100689641/UGD/000/G 500000191951
Rev. G Page 1/1