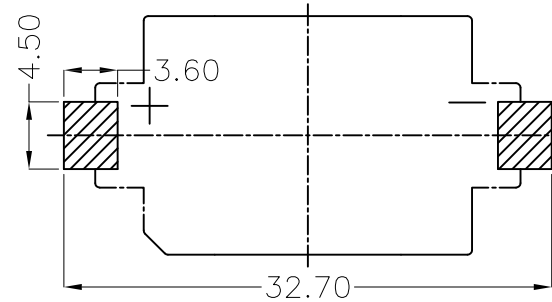
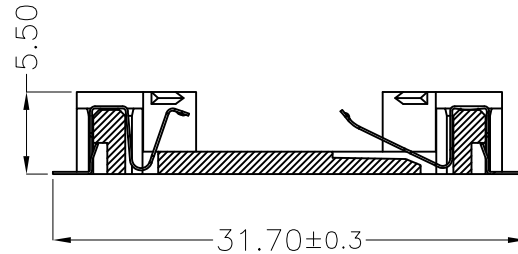
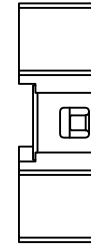
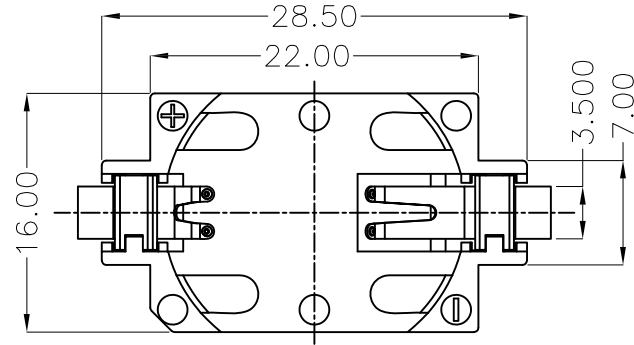
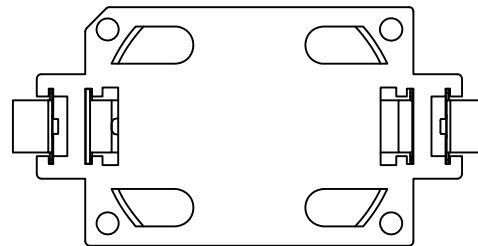


APPROVED: \_\_\_\_\_  
 DATE: \_\_\_\_\_ TITLE: \_\_\_\_\_

Rev	AWO #	Description	Date	Appr
-		RELEASED	7/30/15	
A		UPDATE DRAWING	1/15/19	AY/YC
B		UPDATE DRAWING	4/9/20	LH/OC



RECOMMENDED P.C.B LAYOUT



**SPECIFICATIONS:**

Material:  
 Housing: Hi-Temp Thermoplastic, rated UL94V-0, Color: White  
 Contact: Phosphor Bronze, Gold plated  
 Electrical:  
 Contact resistance: 30 Milliohms max  
 Insulation resistance: 1,000 Megaohms ohms min  
 Dielectric Voltage: 500 VAC @ sea level  
 Temperature Rating:  
 Operating temperature: -25°C to +85°C  
 Environmental:  
 Lead free, RoHS compliant



UNLESS OTHERWISE SPECIFIED ALL DIMENSIONS ARE MILLIMETERS TOLERANCES: EXCEPT AS NOTED MM ANGLE X ± 0.30 X ± 1° X.X ± 0.25 X.X ± 0.5° X.XX ± 0.20 X.XXX ± 0.10		<b>ADAM TECH</b> INTERCONNECTS		909 Rahway Avenue, Union, NJ 07083 Phone: 908-687-5000 Fax: 908-687-5710	
APPROVALS DRAWN AY CHECKED NC APPROVED		DATE 4/9/20 4/9/20		TITLE <b>COIN CELL BATTERY HOLDER FOR          CELL CR2032, SMT TYPE</b>	
SIZE <b>X</b>		PART NO. <b>BH-49A-5</b>		REV. <b>B</b>	
REF: S00136C		SCALE: NTS		SHEET 1 OF 1	

6

5

4

3

2

1

D

D

C

C

B

B

A

A

6

5

4

3

2

1