

# BHI160B

## Shuttle board 3.0 flyer

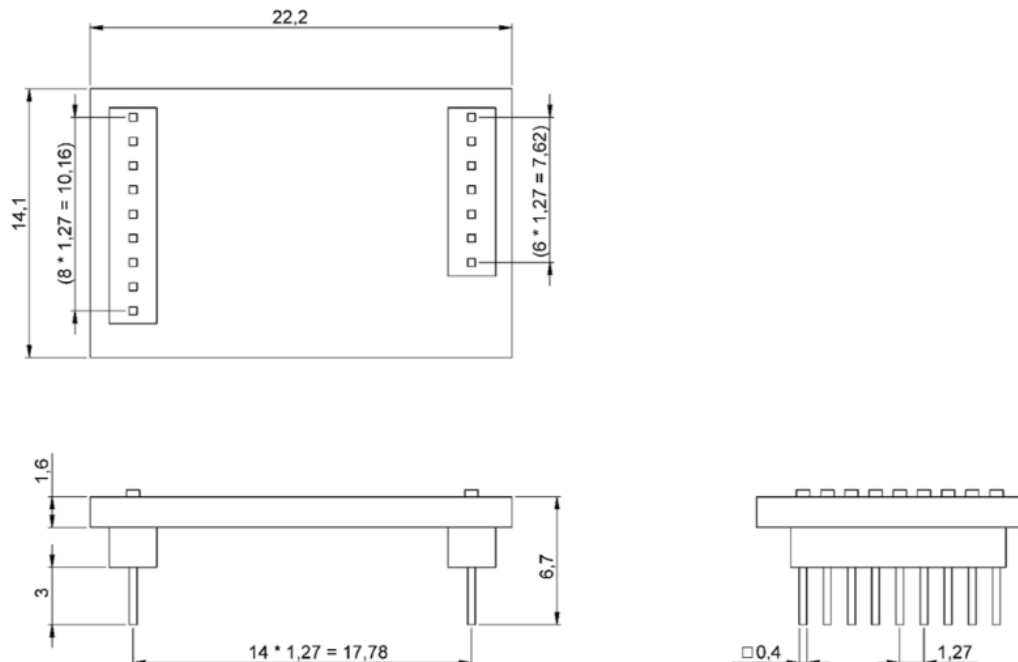
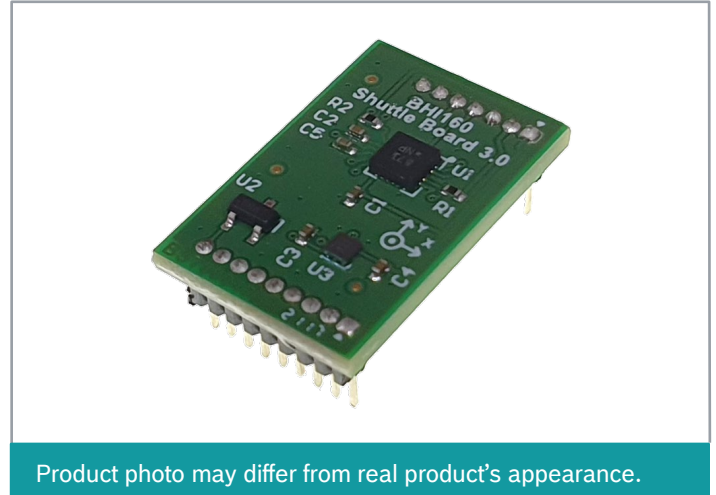
### GENERAL DESCRIPTION

The Bosch Sensortec BHI160B shuttle board 3.0 is a PCB with a BHI160B Smart Sensor Hub mounted on it. Additionally, it includes one external magnetometer BMM150, which is connected to BHI160B AUX interface. In combination with the application board 3.0, the shuttle board can be used to evaluate various functionalities provided on BHI160B.

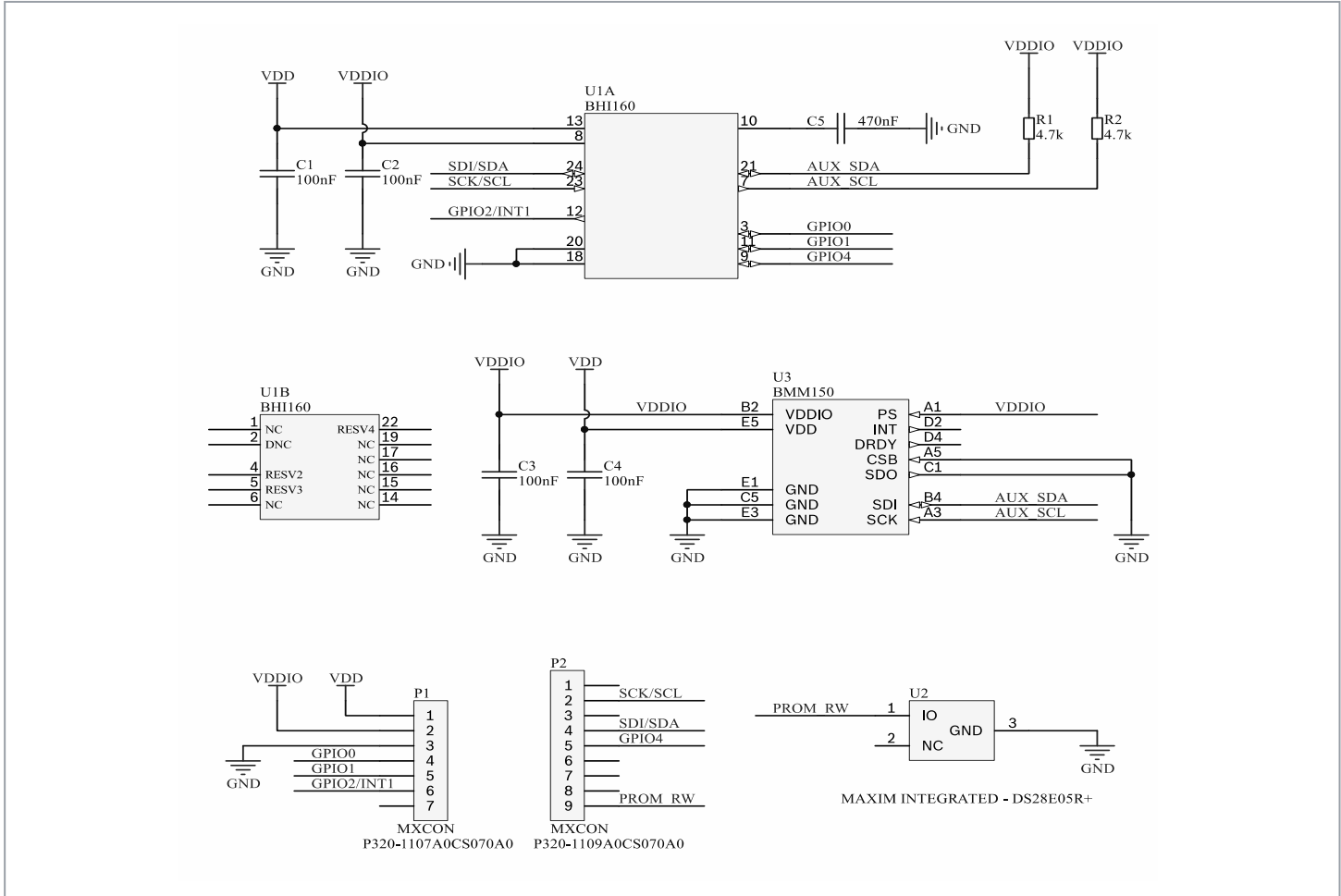
The shuttle board allows easy access to the sensor pins via a simple socket. The shuttle board includes following major components:

- ▶ BHI160B smart sensor
- ▶ BMM150 magnetometer
- ▶ On-board EEPROM

The shuttle board version 3.0 can be directly plugged into Bosch Sensortec's application board 3.0.



Shuttle board outline dimensions (all dimensions in mm)



BNO055 shuttle board electrical layout

**DESIGNATOR P1 SHUTTLE BOARD CONNECTOR**

Pin	Pin name	Description
1	VDD	Analog power supply voltage (1.71V ... 3.6V)
2	VDDIO	Digital I/O power supply voltage (1.6V ... 3.3V)
3	GND	Ground
4	GPIO0	Application specific I/O pin
5	GPIO1	Application specific I/O pin
6	GPIO2/INT1	Host interrupt
7	NC	

**DESIGNATOR P2 SHUTTLE BOARD CONNECTOR**

Pin	Pin name	Description
1	NC	
2	SCK/SCL	Clock pin of I2C bus (host interface)
3	NC	
4	SDI/SDA	Data pin of I2C bus (host interface)
5	GPIO4	Select I2C address & Application specific I/O pin
6	NC	
7	NC	
8	NC	
9	PROM_RW	Connect to EEPROM

Shuttle board identification:

- ▶ Shuttle ID: 010011001
- ▶ Shuttle board identifier: BST01283

**Headquarters**

**Bosch Sensortec GmbH**  
 Gerhard-Kindler-Strasse 9  
 72770 Reutlingen · Germany  
 Telephone +49 7121 3535 900  
 Fax +49 7121 3535 909

[www.bosch-sensortec.com](http://www.bosch-sensortec.com)