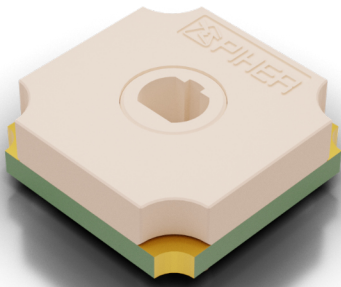


N-15

Low Profile Rotary Position Sensor / Potentiometer

The N-15 series offers you endless rotation, 340° wide electrical angle, SMD or through-hole mount, an extended working temperature range of -40°C to +120°C and a whole series of customisation possibilities making it the most flexible product on the market. The N-15 is ideal for appliance and automotive control and sensor applications.



KEY FEATURES

- ▶ SMD or Through-hole mount
- ▶ Excellent performance (3% linearity)
- ▶ Up to 2.000.000 life cycles
- ▶ IP54 protection
- ▶ 360° endless rotation
- ▶ 340° electrical angle
- ▶ Low profile (4.4 mm) and footprint (15 mm)
- ▶ High operating temperature range
- ▶ Polarised "T" rotor (European Home Appliance standard)
- ▶ Embossed tape packaging according to IEC 60286-3:2007
- ▶ All PT-15 shafts compatible

Also available as 6-pulse incremental encoder or mechanical switch with up to 12 positions.

ELECTRICAL SPECIFICATIONS

	Standard	Extra-long life
Taper	Linear	
Resistance range ¹	5 kΩ ≤ R _n ≤ 100 kΩ	5 kΩ
Tolerance	±30%	
Max. voltage	120 Vdc	27 Vdc
Nominal power at 50°C (122°F)	0.15 W	
Linearity (absolute)	3%	
Operating temperature	-40°C to +120°C	

¹ Others check availability

MECHANICAL SPECIFICATIONS

	Standard	Extra-long life
Mechanical rotation angle	360°	
Electrical rotation angle	340° ±10°	110° ±10°
Rotational torque	≤20 mN.m	
Mounting method	SMD or Through-hole	SMD
Mechanical life	Up to 200,000 cycles	Up to 2,000,000 cycles

APPLICATIONS

Appliances

- ▶ Timer and program selection
- ▶ Temperature controls

Automotive

- ▶ HVAC control
- ▶ Seat position
- ▶ Mirror actuator feedback
- ▶ Gear Shift Position

Size and position detectors

N-15

Low Profile Rotary Position Sensor / Potentiometer

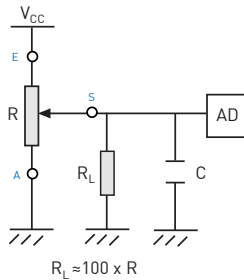
ENVIRONMENTAL TESTING

	Test method	ΔR [%]- typical test results
Electrical life	1.000 h at 50°C; 0.15 W	$\pm 40\%$
Mechanical life	100,000 cycles at 20 cpm	$\pm 40\%$ (Rn < 100 k)
Temperature coefficient	-40°C; +120°C	± 300 ppm/°C (Rn < 100 k)
Thermal cycling	10h at 120°C and 10h at -40°C	$\pm 40\%$
Damp heat	480h at 40°C and 95% relative humidity (RH)	$\pm 40\%$
Storage	6 month at 23°C $\pm 2^\circ\text{C}$ and 50% RH	$\pm 40\%$

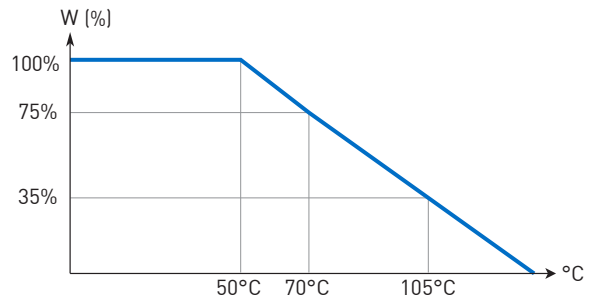
Out of range values may not comply with these results. Standard test conditions: temperature: 23°C $\pm 2^\circ\text{C}$ and 45% to 70% RH

RECOMMENDED CONNECTIONS

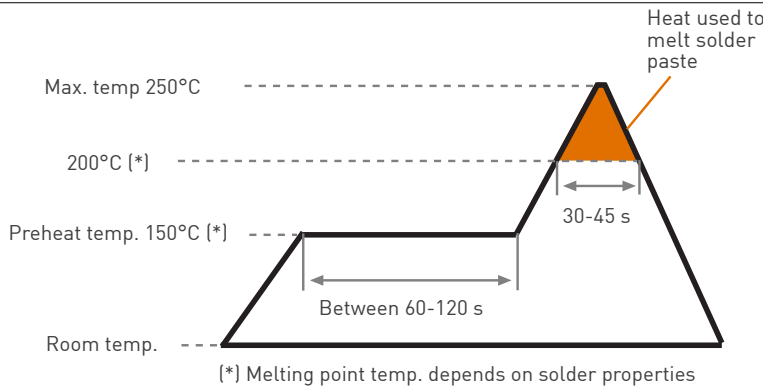
Recommended connection circuit for a position sensor or control application (voltage divider circuit electronic design).



POWER RATING CURVE



RECOMMENDED REFLOW PROFILE



The recommended reflow profile is provided as a guideline. Optimal profile may differ due to oven type, assembly layout or other design or process variables. Customers should verify actual device performance in their specific application and reflow process. Please contact Piher if you require additional support.

N-15

Low Profile Rotary Position Sensor / Potentiometer

HOW TO ORDER

Standard version

N15	T	-	- - - -	A	3030	Optional features - -
Series	Rotor T	Mounting method ¹ S = SMD V = Through-hole H = Horizontal adjust	Ω-Value ² 502 = 5 kΩ ... 104 = 100 kΩ	Taper ³ A = lin.	Tolerance ⁴ 3030 = ±30%	Life [empty] = 100k cycles U = 200k cycles

Long-life version

Z15	T	S	- 502	A	3030
Series	Rotor T	Mounting method ¹ S = SMD	Ω-Value 502 = 5 kΩ	Taper ³ A = lin.	Tolerance ⁴ 3030 = ±30%

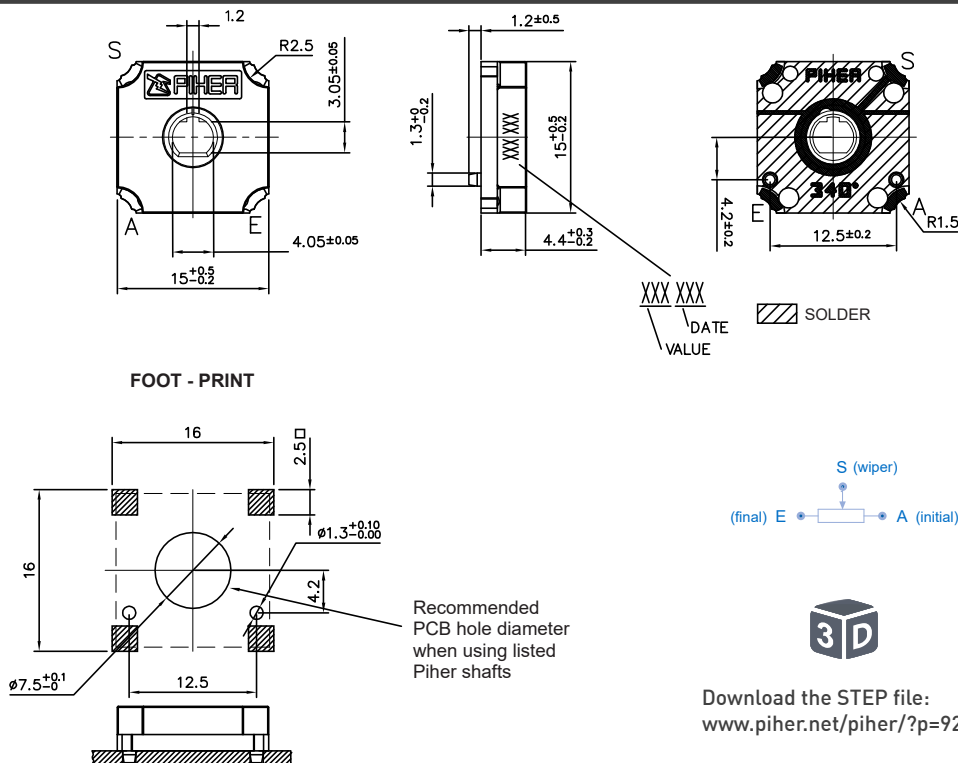
1. Mounting method: Horizontal adjust versions will be studied case by case.
 2. Ω- Value: XXX - First two digits of Ω-value; XXX - Number of zeros
 3. A wide range of custom tapers and step curves is available on request.
 4. Other tolerances and optional precision laser-trimmed voltage divider calibration available.
- For Switch (S-15) and Incremental Encoder (E-15) versions see below or contact Piher Sensing Systems.

STANDARD RESISTANCE-VALUES

Resistance Ω	5k	10k	20k	22k	25k	47k	50k	100k
Order Code	502	103	203	223	253	473	503	104

DIMENSIONS

SMD mount

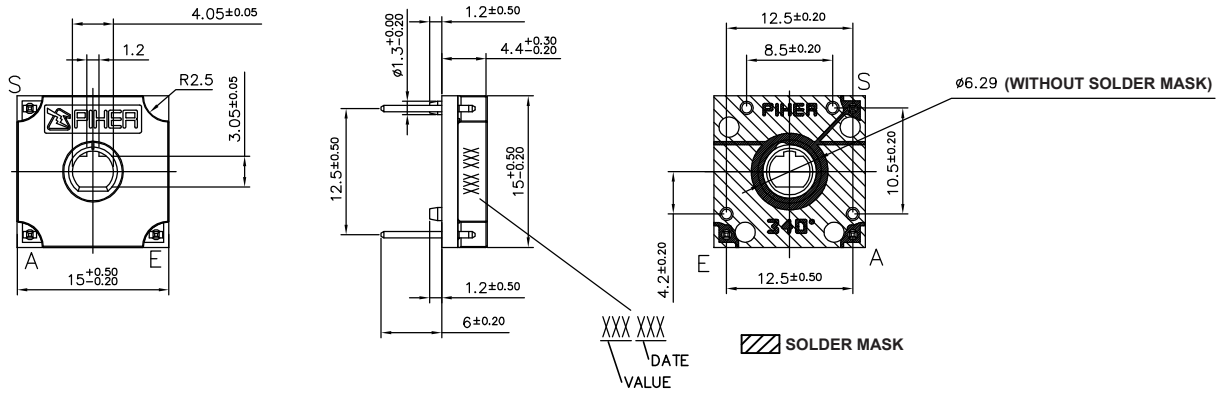


N-15

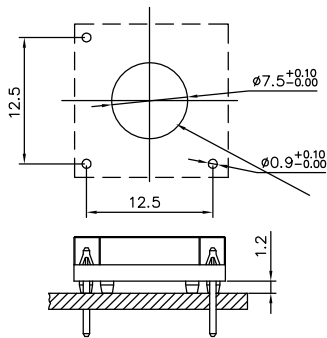
Low Profile Rotary Position Sensor / Potentiometer

DIMENSIONS

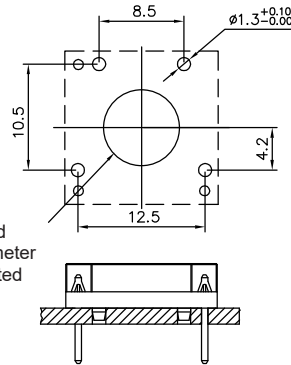
Through-hole mount



PCB HOLE LAYOUT 1

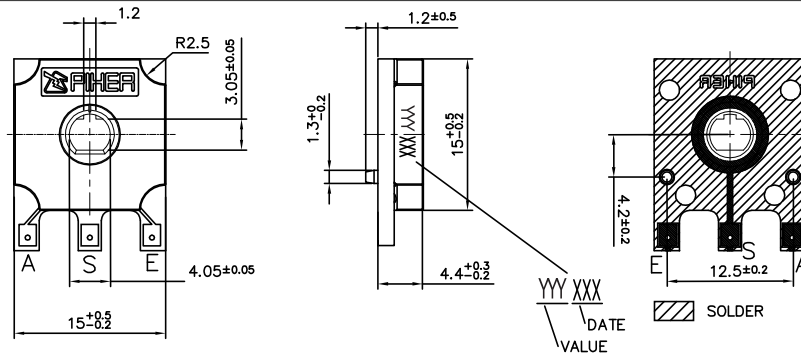


PCB HOLE LAYOUT 2

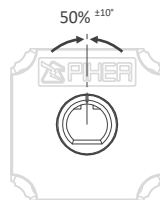


Recommended PCB hole diameter when using listed Piher shafts

Horizontal adjust - vertical mount

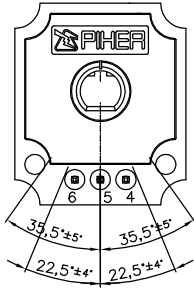
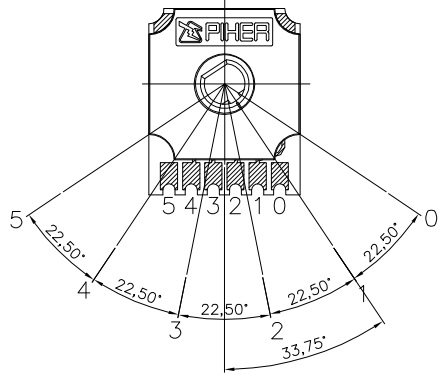


STANDARD WIPER POSITION

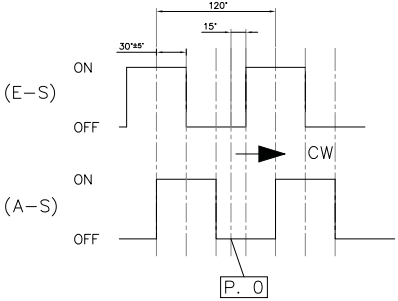
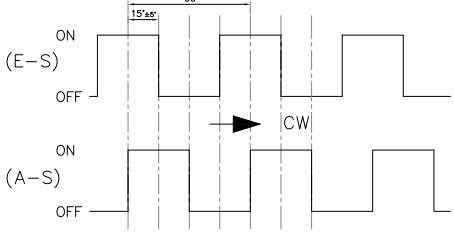


N-15

Rotary Switch (S-15) and Incremental Encoder (E-15)

ROTARY SWITCH S-15		
Standard specifications	2-position switch	6-position switch
Switch Positions		
Closed contact resistance	< 5 Ω	
Open contact resistance	> 10 mΩ	
Contact current	10μA - 100mA	
Operating voltage	13.5 ±0.2 Vdc	16 Vdc
Temperature range	-40°C to +85°C	
Rotational torque	< 2 Ncm	
Mechanical rotational angle	360° (endless rotation)	
Mechanical life	15K cycles	35K cycles

For more information on switch sequence, dimensions, packaging or ordering code, please contact Piher Sensing Systems.

INCREMENTAL ENCODER E-15		
Standard specifications	3-pulse encoder	6-pulse encoder
Graph Code		
Closed contact resistance	< 5 Ω	
Open contact resistance	> 10 mΩ	
Contact current	10μA - 100mA	
Operating voltage	13.5 ±0.2 Vdc	16 Vdc
Temperature range	-40°C to +120°C	
Rotational torque	< 2 Ncm	
Mechanical rotational angle	360° (endless rotation)	
Mechanical life	10K cycles	36K cycles

For more information on packaging options or ordering code, please contact Piher Sensing Systems.

N-15

Low Profile Rotary Position Sensor / Potentiometer

SHAFTS

Hollow shafts models

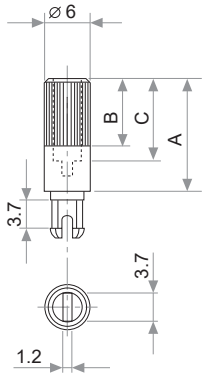


Fig.	Ref.	A	B	C
1	5272	12	9	8
2	5214	19	9	15
5	5208	9.5	6.5	5.5
9	5216	35	9	31
10	5218	37.8	9	33.8
11	5209	35	25	31

A = Length measured from rotor surface
 B = Knurling length
 C = Hollow depth

Solid shafts models

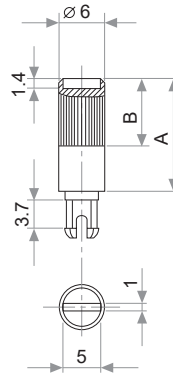


Fig.	Ref.	A	B
6	5219	15	9
7	5220	16.8	9
8	5207	25.3	9
12	5227	46	5

Slot [1 x 1.4] perpendicular to wiper position.
 Fig. 12 slot is on line with wiper position.

Fig. 3 - Ref. 5372	Fig. 15 - Ref. 5217	Fig. 17 - Ref. 5210	Fig. 18 - Ref. 5271	Fig. 19 - Ref. 6032*	Fig. 20 - Ref. 5369*
Fig. 21 - Ref. 6031*	Fig. 22 - Ref. 6029	Fig. 23 - Ref. 6022	Fig. 29 - Ref. 6162	Fig. 25 - Ref. 6059	Fig. 27 - Ref. 5268*
Fig. 28 - Ref. 6055	<p>Shafts must be ordered separately and are delivered unassembled. *Not available in self-extinguishable plastic.</p>				

N-15

Low Profile Rotary Position Sensor / Potentiometer

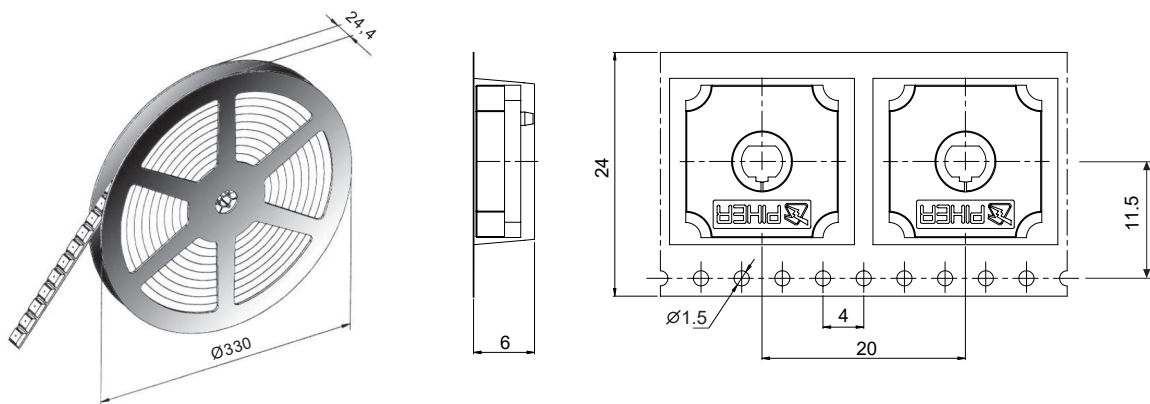
PACKAGING

Through-hole models - bulk (150 units per box)



Dimensions (mm): 185x85x40

SMD model - embossed tape (500 pcs/reel)



Bulk packaging for SMD models available on request.

OUR ADVANTAGE

- ▶ Leading-edge innovative position sensing solutions
 - ▷ Contactless (Hall-effect and Inductive Technology)
 - ▷ Contacting (Potentiometers, Printed Electronics)
- ▶ Engineering design-in support
- ▶ All our products can be customized to fit target application and customer requirement
- ▶ Capability to move seamlessly from development to true high-volume production
- ▶ A global footprint with global engineering and commercial support
- ▶ One-stop shop not limited to position sensors (temperature, pressure, gas,...) through group collaboration
- ▶ Flexibility and entrepreneurship of a medium-sized company with the backing of Amphenol Corporation



Please always use the latest updated datasheets and 3D models published on our website.

Disclaimer:

The product information in this catalog is for reference purposes. Please consult for the most up to date and accurate design information. Piher Sensors & Controls S.A., its affiliates, agents, and employees, and all persons acting on its or their behalf (collectively, "Piher"), disclaim any and all liability for any errors, inaccuracies or incompleteness contained herein or in any other disclosure relating to any product described herein. Piher disclaims any and all liability arising out of the use or application of any product described herein or of any information provided herein to the maximum extent permitted by law. The product specifications do not expand or otherwise modify Piher's terms and conditions of sale, including but not limited to the warranty expressed therein, which apply to these products. No license, express or implied, by estoppel or otherwise, to any intellectual property rights is granted by this document or by any conduct of Piher. The products shown herein are not designed for use in medical, life-saving, or life-sustaining applications unless otherwise expressly indicated. Customers using or selling Piher products not expressly indicated for use in such applications do so entirely at their own risk and agree to fully indemnify Piher for any damages arising or resulting from such use or sale. Please contact authorized Piher personnel to obtain written terms and conditions regarding products designed for such applications. Product names and markings noted herein may be trademarks of their respective owners. Information contained in and/or attached to this catalog may be subject to export control regulations of the European Community, USA, or other countries. Each recipient of this document is responsible to ensure that usage and/or transfer of any information contained in this document complies with all relevant export control regulations. If you are in any doubt about the export control restrictions that apply to this information, please contact the sender immediately. For any Piher Exports, Note: All products / technologies are EAR99 Classified commodities. Exports from the United States are in accordance with the Export Administration Regulations. Diversion contrary to US law is prohibited.

CONTACT

Piher Sensing Systems
Polígono Industrial Municipal
Vial T2, N°22
31500 Tudela
Spain

sales@piher.net

Europe: +34 948 820 450
Americas: +1 636 251 0855
Asia Pacific: +65 9641 8886
India: +91 9538 686 586

Rev:2104.2022 © 2022 Piher Sensors & Controls S.A.