

# TERABEE

## TeraRanger Evo Swipe

Use simple “swipes” of the hand to control equipment, open doors and interact with screens and kiosks. Not only is this a slick and modern way to interface with equipment, it is a safe one too.

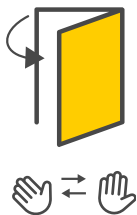
The small optical Time-of-Flight sensor is easy to install, setup and use. Everything is on-board to facilitate left/right, right/left gesture recognition.

### Key features

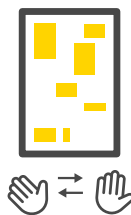
- Simple left/right, right/left gesture recognition. (Mount the sensor at 90 degrees for up/down, down/up gestures)
- Embedded gesture recognition algorithm for rapid integration with your systems
- Small and discreet sensor (not a camera) is GDPR compliant by design
- Low power consumption
- Easy integration. Ideal for OEM design-in projects



### Applications



Door open/close with the wave of a hand



Remove switches & buttons for sleeker design



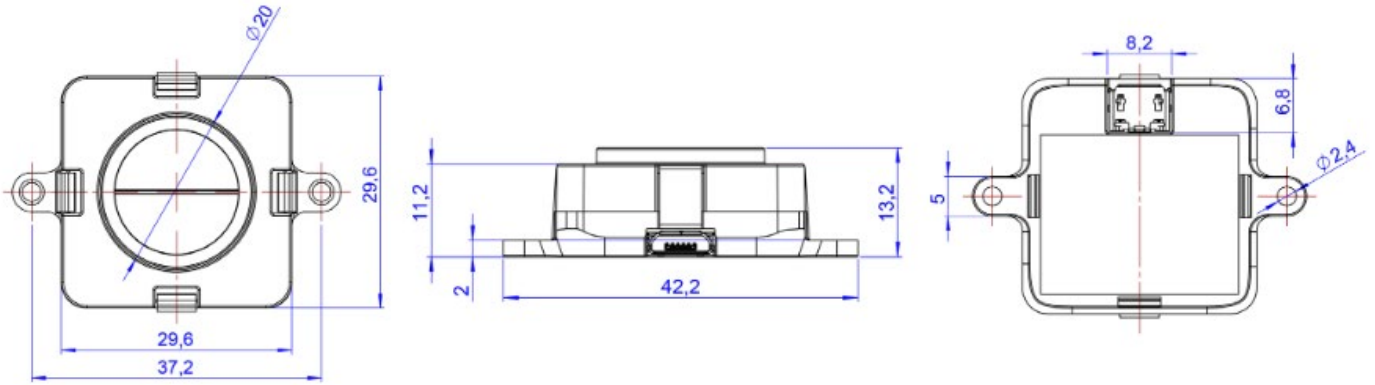
Operate equipment without touching controls

# Technical Specifications

Part Number	TR-EVO-SWP
<b>Performance</b>	
Detection Principle	Infrared Time-of-Flight
Light Source Wavelength	940 nm
Use Environment	Indoor
Field of View	27°
Operation	Gesture recognition: <ul style="list-style-type: none"> <li>• Left to Right hand-movement</li> <li>• Right to Left hand-movement</li> </ul>
Range	~ 0.1 m to 0.5 m
Update Rate	~ 20 Hz
<b>Electronics</b>	
Supply Voltage $V_{IN}$	5V DC +/-5%
Current Consumption Average	50 mA
Initialization Time	< 1 s
<b>Communication</b>	
Serial Interface	USB 2.0 Micro-B
Visual Notification	2 x LEDs (built-in backboards)
<b>Mechanical data</b>	
Dimensions	42 x 30 x 13 mm (incl. backboard)
Weight	9 g (incl. backboard)
Operating Temperature	-20° C to 75° C
Housing Material	ABS
Mounting Style	2 holes for M2 screws
Type of Connection	USB Backboard: USB 2.0 Micro-B
<b>Conformity</b>	
Reference Standard	CE, RoHS

\*For optimal performance, the users' body should be more than 0.5 m from the sensor, with their hand swiping in the 0.1 m to 0.5 m range of the sensor.

## Dimensions



## Installation

Back-panel installation



Front-panel installation



Have any questions? Contact us today!