

4

3

2

1

D

D

C

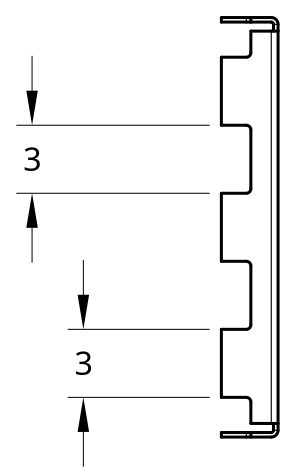
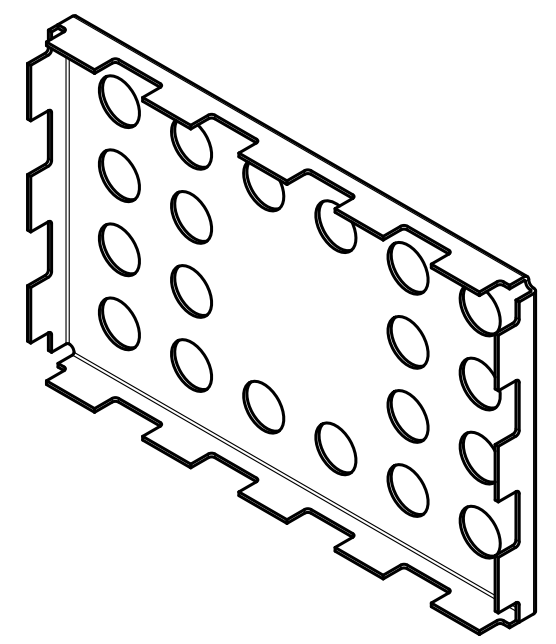
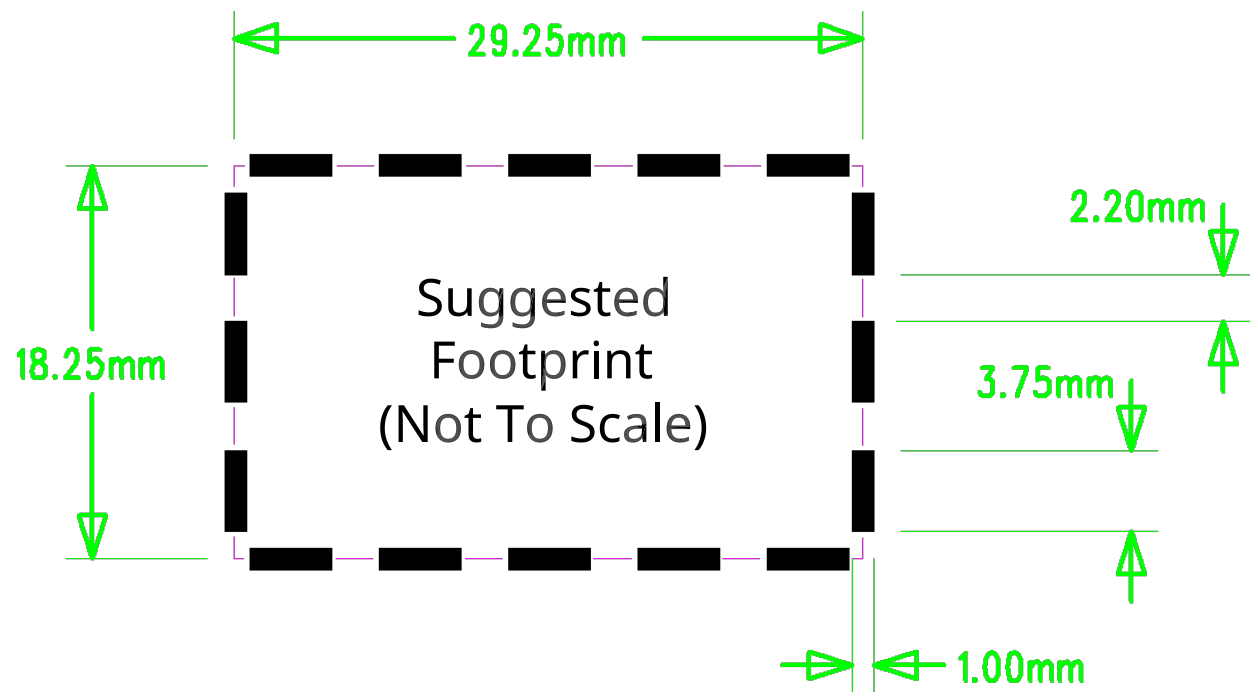
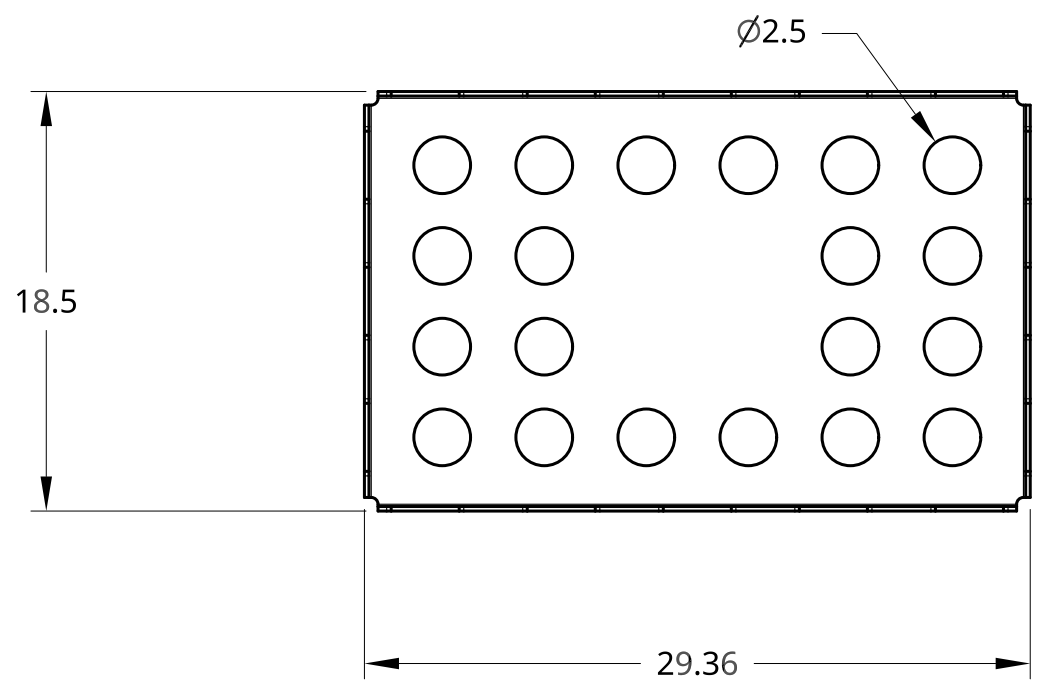
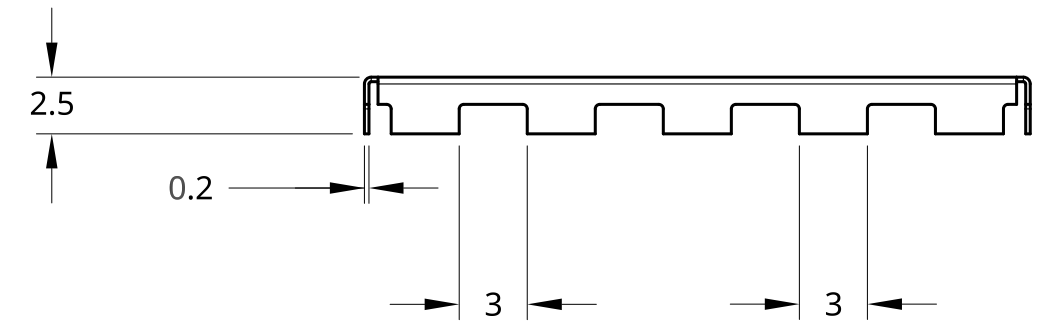
C

B

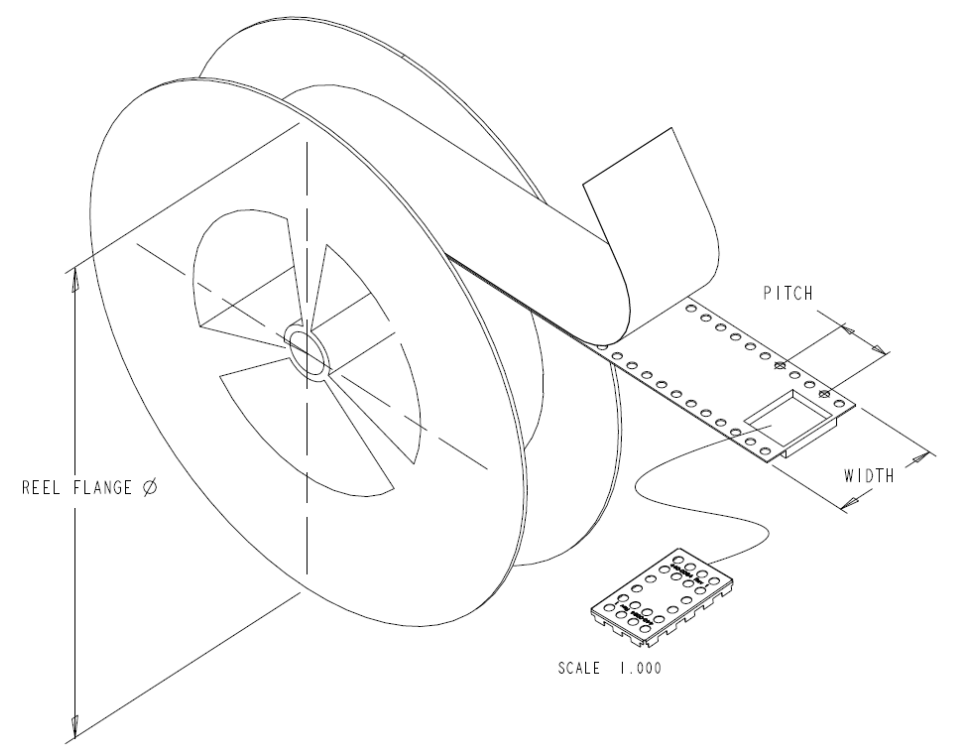
B

A

A



REEL SPECIFICATIONS:	
REEL DIAMETER:	381 MM
TAPE WIDTH:	44 MM
OVER ALL REEL WIDTH:	49 MM
PITCH:	24 MM
PARTS PER REEL:	750



UNLESS OTHERWISE SPECIFIED, DIMENSIONS ARE IN MILLIMETERS	NAME	DATE	
	DRAWN	dust dust	02/05/2018
	CHECKED	CN	02/05/2018
ANGULAR = ± °	APPROVED	RY	02/05/2018
SURFACE FINISH			
DO NOT SCALE DRAWING			
BREAK ALL SHARP EDGES AND REMOVE BURRS			
THIRD ANGLE PROJECTION	MATERIAL	FINISH	

 AHEAD OF WHAT'S POSSIBLE™		
TITLE SmartMesh RF Shield for Eterna Rectangular, 1.156" X 0.728"		
SIZE B	DWG. NO. SMARTMESH-SHIELD02	REV. 1
SCALE 3:1	WEIGHT	SHEET 1 of 1

4

3

2

1