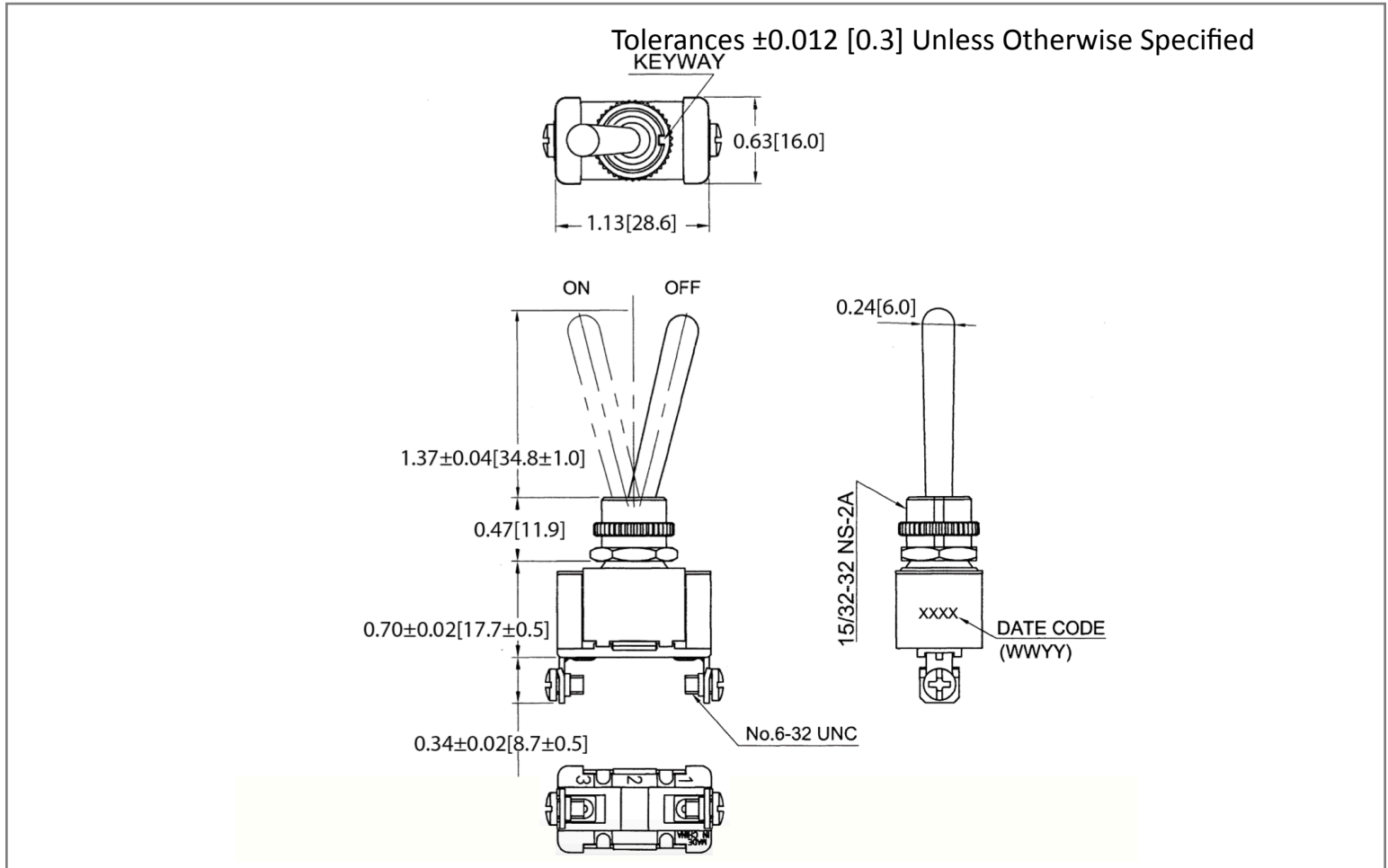
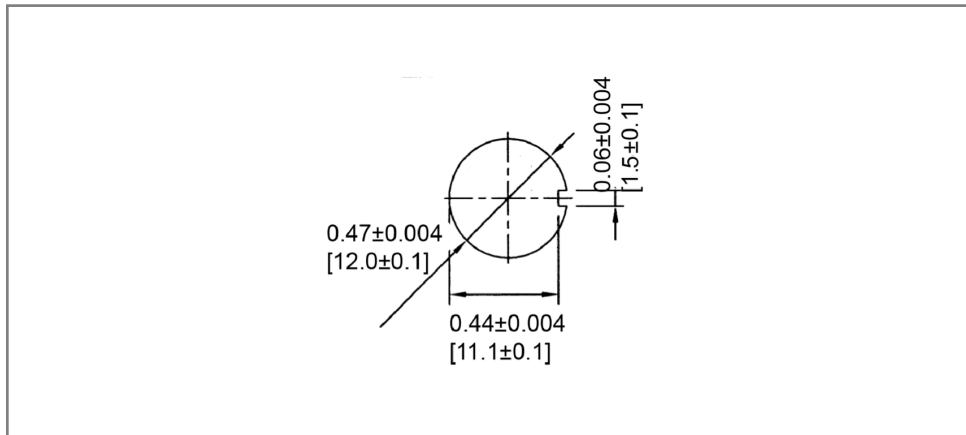


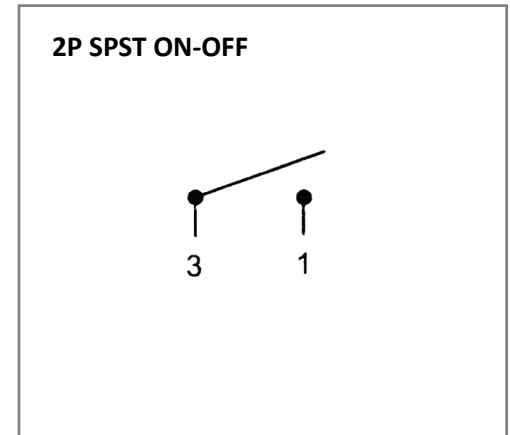
Mechanical Dimensions: Inches [mm]



Mounting Hole



Circuit Diagram



Electrical Specifications

Rating	20A 125V AC, 10A 277V AC, 3/4HP 125-250V AC 12(4)A 125/250V AC
Contact Resistance	50m ohm Max
Insulation Resistance	DC 500V 100M ohm Min
Dielectric Strength	AC 1500V 1 minute
Operation Temperature	0°C~65°C

Material Specifications

1 HEX NUT ASSY
1 KNURL NUT ASSY

Rev **Date of issue** **Revision Notes**

Designed **Approved**

B	11-30-2021	Initial Drawing	RC	OF
---	------------	-----------------	----	----