

74F794 8-Bit Register with Readback

General Description

The 74F794 is an 8-bit register with readback capability designed to store data as well as read the register information back onto the data bus. The I/O bus (D bus) has 3-STATE outputs. Current sinking capability is 64 mA on both the D and Q busses.

Data is loaded into the registers on the LOW-to-HIGH transition of the clock (CP). The output enable (\overline{OE}) is used to enable data on D_0 - D_7 . When \overline{OE} is LOW, the output of the registers is enabled on D_0 - D_7 , enabling D as an output bus. When OE is HIGH, D_0 - D_7 are inputs to the registers configuring D as an input bus.

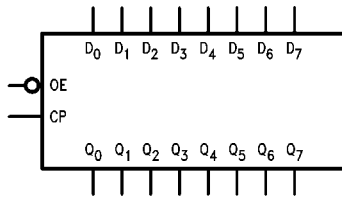
Features

- 3-STATE outputs on the I/O port
- D and Q output sink capability of 64 mA
- Functionally and pin equivalent to the 74LS794

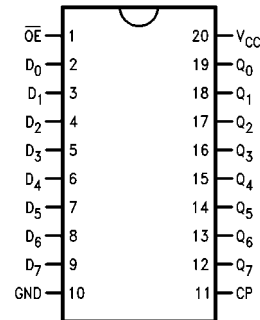
Ordering Code:

Order Number	Package Number	Package Description
74F794PC	N20A	20-Lead Plastic Dual-In-Line Package (PDIP), JEDEC MS-001, 0.300" Wide

Logic Symbol



Connection Diagram



Input Loading/Fan-Out

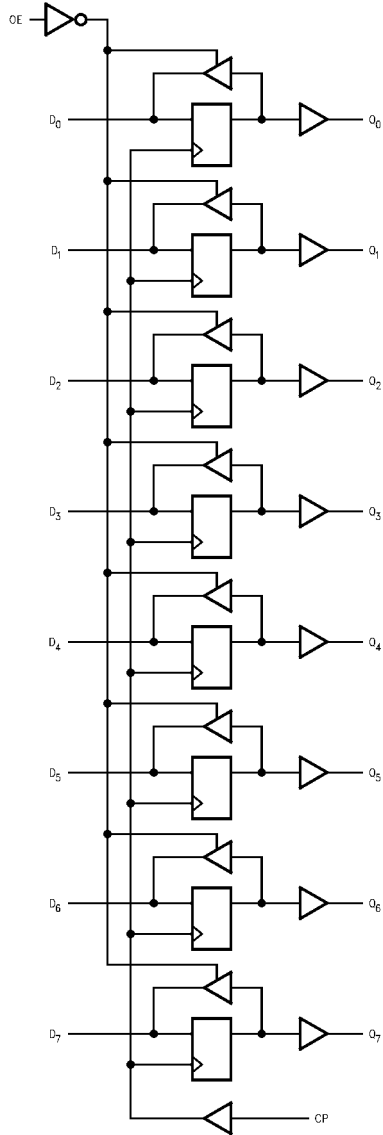
Pin Names	Description	HIGH/LOW	
		(U.L.)	Current
\overline{OE}	Output Enable Input	1.0/1.0	20 μ A/-0.6 mA
CP	Clock Pulse Inputs	1.0/1.0	20 μ A/-0.6 mA
D_0 - D_7	D Bus Inputs/ 3-STATE Outputs	3.5/1.083	70 μ A/-650 μ A
Q_0 - Q_7	Q Bus Outputs	750/106.6	-15 mA/64 mA

Truth Table

Inputs		Outputs	
CP	\overline{OE}	Q	D
L or H or \downarrow	L	Q_n	Output, Q
L or H or \downarrow	H	Q_n	Input
\uparrow	L	Q_n	Output, Q (Note 1)
\uparrow	H	D	Input

Note 1: In this case the output of the register is clocked to the inputs and the overall Q output is unchanged at Q_n .

Logic Diagram



Absolute Maximum Ratings(Note 2)

Storage Temperature	-65°C to +150°C
Ambient Temperature under Bias	-55° to +125°C
Junction Temperature under Bias	-55°C to +150°C
V _{CC} Pin Potential to Ground Pin	-0.5V to +7.0V
Input Voltage (Note 3)	-0.5V to +7.0V
Input Current (Note 3)	-30 mA to +5.0 mA
ESD Last Passing Voltage (Min)	4000V
Voltage Applied to Output	
In HIGH State (with V _{CC} = 0V)	
Standard Output	-0.5V to V _{CC}
3-STATE Output	-0.5V to +5.5V
Current Applied to Output	
in LOW State (Max)	Twice the Rated I _{OL} (mA)

Recommended Operating Conditions

Free Air Ambient Temperature	0°C to 70°C
Supply Voltage	+4.5V to +5.5V

Note 2: Absolute maximum ratings are values beyond which the device may be damaged or have its useful life impaired. Functional operation under these conditions is not implied.

Note 3: In this case the output of the register is clocked to the inputs and the overall Q output is unchanged at Q_n.

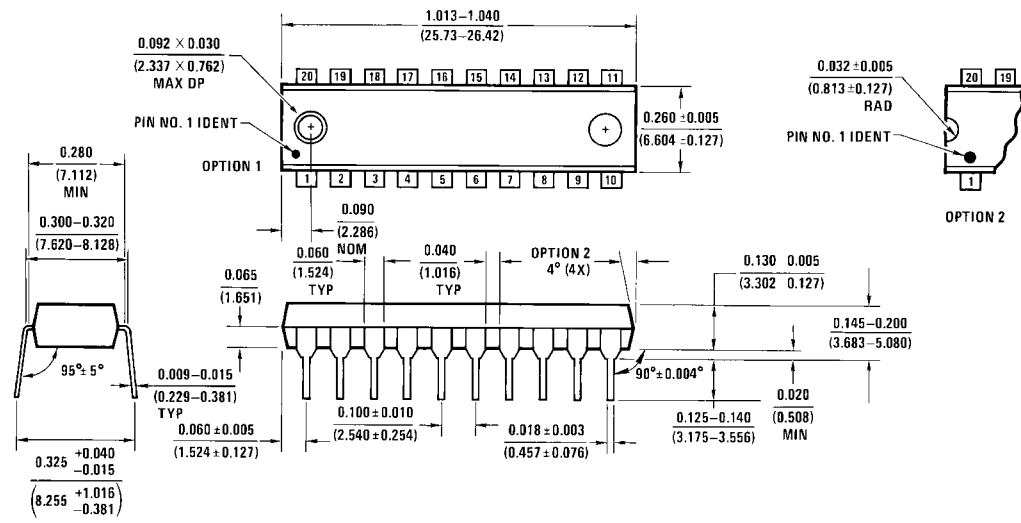
Note 4: Either voltage limit or current limit is sufficient to protect inputs.

DC Electrical Characteristics over Operating Temperature Range unless otherwise specified

Symbol	Parameter	Min	Typ	Max	Units	V _{CC}	Conditions
V _{IH}	Input HIGH Voltage	2.0			V		Recognized as a HIGH Signal
V _{IL}	Input LOW Voltage			0.8	V		Recognized as a LOW Signal
V _{CD}	Input Clamp Diode Voltage			-1.2	V	Min	I _{IN} = -18 mA
V _{OH}	Output HIGH Voltage	2.4	2.8		V	Min	I _{OH} = -3 mA I _{OH} = -15 mA
V _{OL}	Output LOW Voltage		0.45	0.55	V	Min	I _{OL} = 64 mA
I _{IH}	Input HIGH Current			5.0	μA	Max	V _{IN} = 2.7V
I _{BVI}	Input HIGH Current Breakdown Test			7.0	μA	Max	V _{IN} = 7.0V (\overline{OE} , CP)
I _{BVIT}	Input HIGH Current Breakdown (I/O)			0.5	mA	Max	V _{IN} = 5.5V (D _n)
I _{CEX}	Output HIGH Leakage Current			50	μA	Max	V _{OUT} = V _{CC}
V _{ID}	Input Leakage Test	4.75			V	0.0	I _{ID} = 1.9 μA All Other Pins Grounded
I _{OD}	Output Leakage Circuit Current			3.75	μA	0.0	V _{IOD} = 150 mV All Other Pins Grounded
I _{IL}	Input LOW Current			-0.6	mA	Max	V _{IN} = 0.5V (\overline{OE} , CP)
I _{OS}	Output Short-Circuit Current	-100		-225	mA	Max	V _{OUT} = 0V
I _{IH} + I _{OZH}	Output Leakage Current			70	μA	Max	V _{OUT} = 2.7V (D _n)
I _{IL} + I _{OZL}	Output Leakage Current			-650	μA	Max	V _{OUT} = 0.5V (D _n)
V _{ID}	Input Leakage Test	4.75			V	0.0	I _{ID} = 1.9 μA All Other Pins Grounded
I _{OD}	Output Circuit Leakage Current			3.75	μA	0.0	V _{IOD} = 150 mV All Other Pins Grounded
I _{ZZ}	Bus Drainage Test			100	μA	0.0	V _{OUT} = 5.25V
I _{CCH}	Power Supply Current			65	mA	Max	V _O = HIGH
I _{CCL}	Power Supply Current			80	mA	Max	V _O = LOW
I _{CCZ}	Power Supply Current			80	mA	Max	V _O = HIGH Z

AC Electrical Characteristics							
Symbol	Parameter	T _A = +25°C V _{CC} = +5.0V C _L = 50 pF			T _A = 0°C to +70°C V _{CC} = +5.0V C _L = 50 pF		Units
		Min	Typ	Max	Min	Max	
f _{MAX}	Maximum Clock Frequency	90			90		MHz
t _{PLH}	Propagation Delay	2.5		7.0	2.5	8.0	ns
t _{PHL}	CP to Q _n	2.5		8.0	2.5	9.0	
t _{PZH}	Output Enable Time	2.3		8.5	2.0	9.0	ns
t _{PZL}		2.0		10.0	2.0	10.5	
t _{PHZ}	Output Disable Time	1.0		7.0	1.0	8.0	ns
t _{PLZ}		1.0		7.0	1.0	8.0	
t _S (H)	Setup Time, HIGH or LOW	4.0			4.0		ns
t _S (L)	Bus to Clock	4.0			4.0		
t _H (H)	Hold Time, HIGH or LOW	1.5			1.5		ns
t _H (L)	Bus to Clock	1.5			1.5		
t _W (H)	Clock Pulse Width	5.8			5.8		ns
	HIGH or LOW	5.8			5.8		

Physical Dimensions inches (millimeters) unless otherwise noted



20-Lead Plastic Dual-In-Line Package (PDIP), JEDEC MS-001, 0.300" Wide
Package Number N20A

N20A (REV G)

Fairchild does not assume any responsibility for use of any circuitry described, no circuit patent licenses are implied and Fairchild reserves the right at any time without notice to change said circuitry and specifications.

LIFE SUPPORT POLICY

FAIRCHILD'S PRODUCTS ARE NOT AUTHORIZED FOR USE AS CRITICAL COMPONENTS IN LIFE SUPPORT DEVICES OR SYSTEMS WITHOUT THE EXPRESS WRITTEN APPROVAL OF THE PRESIDENT OF FAIRCHILD SEMICONDUCTOR CORPORATION. As used herein:

1. Life support devices or systems are devices or systems which, (a) are intended for surgical implant into the body, or (b) support or sustain life, and (c) whose failure to perform when properly used in accordance with instructions for use provided in the labeling, can be reasonably expected to result in a significant injury to the user.
2. A critical component in any component of a life support device or system whose failure to perform can be reasonably expected to cause the failure of the life support device or system, or to affect its safety or effectiveness.

www.fairchildsemi.com