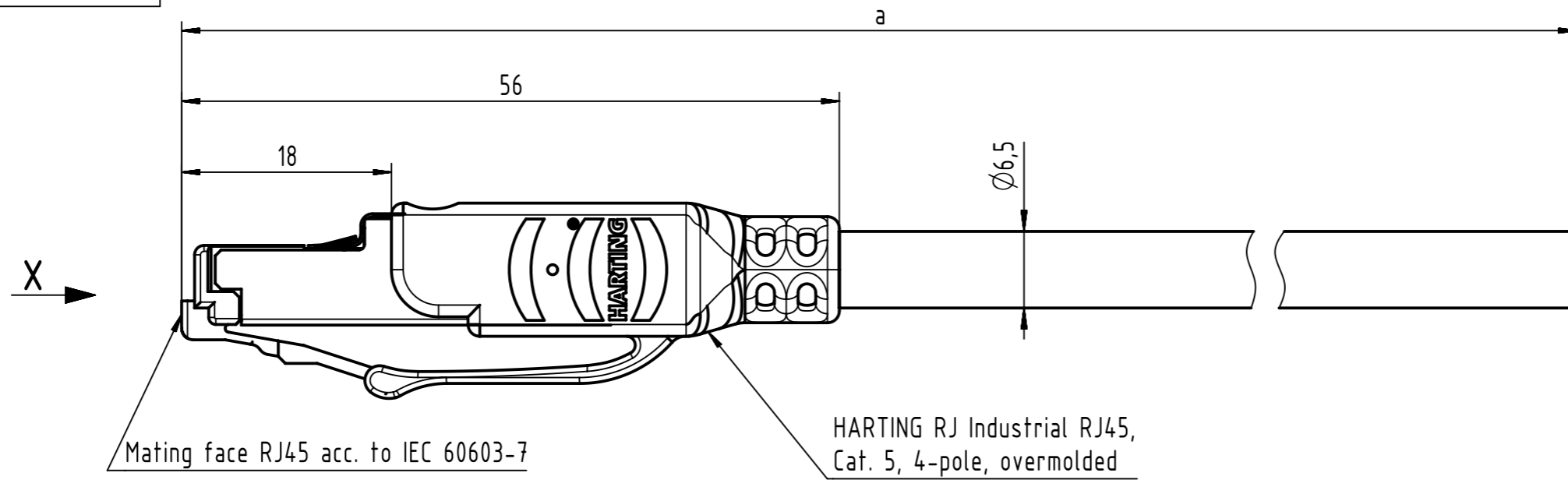
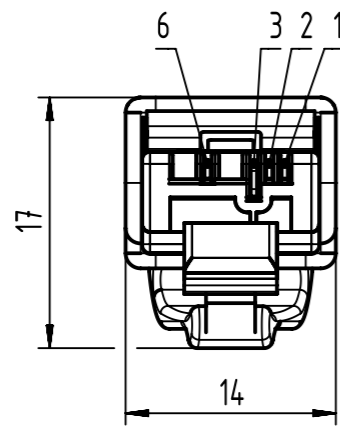


Connector Location A

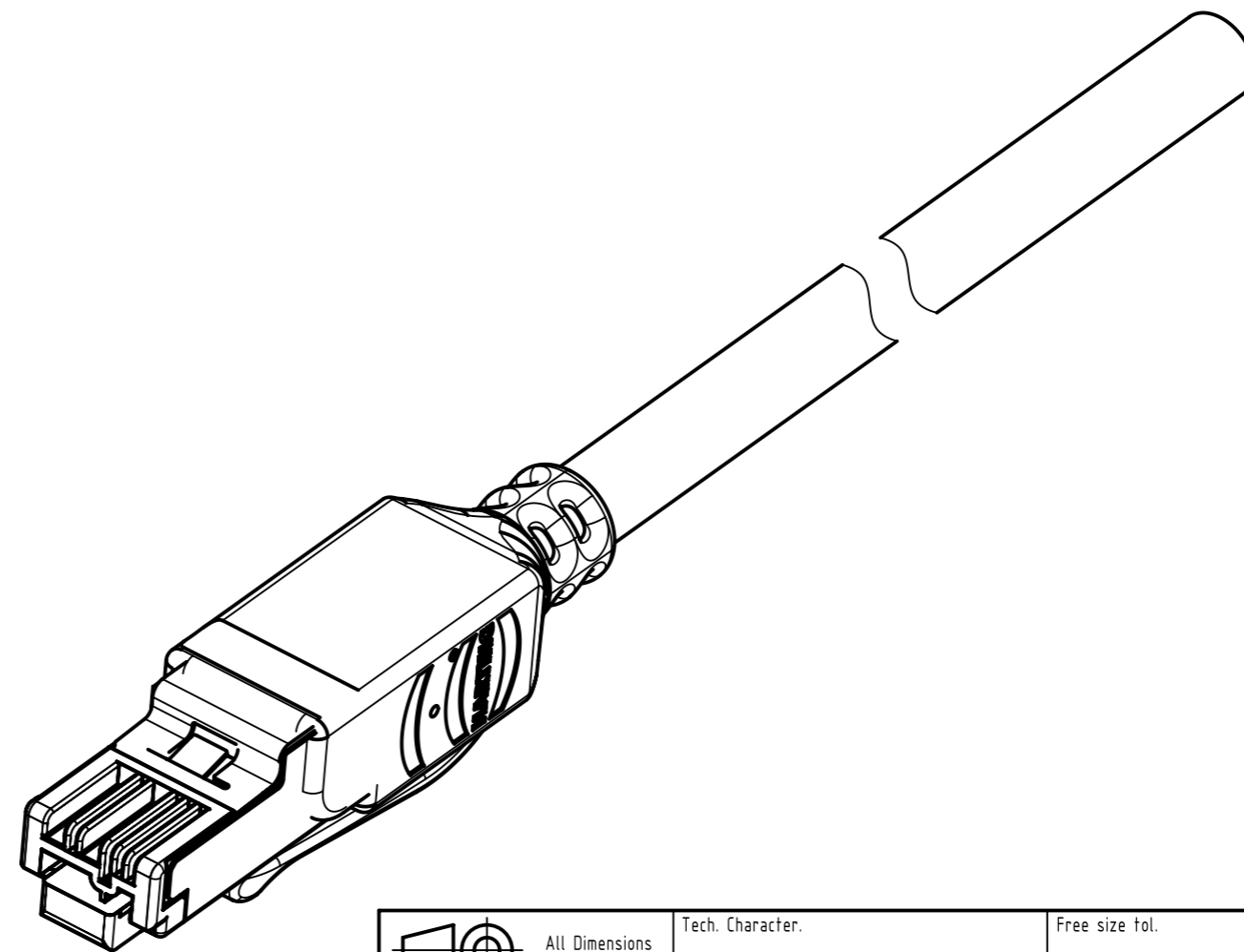
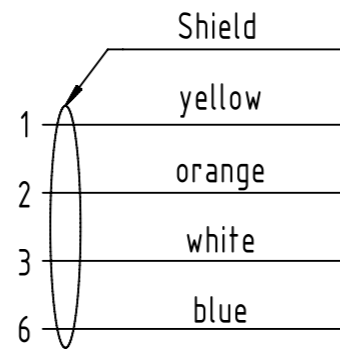
Connector Location B



X
male

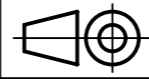



Loading Plan



- Protection level: IP20
- Temperature range: -40°C ... +70°C

All Dimensions in mm		Tech. Character.		Free size tol.		According to production drawing	
	All rights reserved		Created by COSTEA Costea	Inspected by STOCHECIC Stochechi	Standardisation MUNTEANV Muntean	Date 2019-07-18	State Final Release
	Department HCS - RO		Title RJ Industrial Cable Assembly				Doc-Key / ECM-Nr. 100081054/UGD/054/E 500000156154
HARTING Customised Solutions D-32339 Espelkamp			Type TB	Number 09457710XXX		Rev. E	Page 1/2

1	2	3	4	5	6	7	8
A	52	09457710128	RJl Ethernet Stranded Cable, 4xAWG 22/7, PVC, Cat. 5+, green	6			
	51	09457710127		5			
	50	09457710126		4			
	49	09457710125		3			
	48	09457710124		2			
	47	09457710123		1.5			
	46	09457710122		1			
	45	09457710121		0.5			
B	44	09457710132		100			
	43	09457710120		90			
	42	09457710119	80				
	41	09457710118	70				
	40	09457710117	60				
	39	09457710116	50				
	38	09457710115	40				
	37	09457710114	30				
	36	09457710113	20				
	35	09457710112	15				
C	34	09457710111	10				
	33	09457710110	9				
	32	09457710109	8				
	31	09457710108	7				
	30	09457710107	6				
	29	09457710106	5				
	28	09457710105	4				
	27	09457710104	3				
	26	09457710103	2				
	25	09457710102	1.5				
	24	09457710101	1				
	23	09457710100	0.5				
D	22	09457710083	100				
	21	09457710082	90				
	20	09457710081	80				
	19	09457710080	70				
	18	09457710079	60				
	17	09457710078	50				
	16	09457710077	40				
	15	09457710076	30				
	14	09457710075	20				
	13	09457710074	15				
	12	09457710073	10				
E	11	09457710072	9				
	10	09457710071	8				
	9	09457710070	7				
	8	09457710069	6				
	7	09457710068	5				
	6	09457710067	4				
	5	09457710066	3				
	4	09457710065	2				
	3	09457710064	1.5				
	2	09457710063	1				
F	1	09457710062	0.5				
	Cont. no.	Part no.	Type of cable	Dim. a[m]			
	90	09457710183	RJl Ethernet Trailing Cable, 4xAWG 22/7, PUR, Cat. 5+, green	100			
	89	09457710182		90			
	88	09457710181		80			
	87	09457710180		70			
	86	09457710179		60			
	85	09457710178		50			
	84	09457710177		40			
	83	09457710176		30			
	82	09457710185		25			
	81	09457710175		20			
	80	09457710174		15			
	79	09457710173		10			
	78	09457710172		9			
	77	09457710171		8			
	76	09457710170		7			
	75	09457710169		6			
	74	09457710168		5			
	73	09457710167		4			
	72	09457710166		3			
	71	09457710165		2			
	70	09457710164	1.5				
	69	09457710163	1				
	68	09457710186	0.6				
	67	09457710162	0.5				
	66	09457710161	100				
	65	09457710160	90				
	64	09457710159	80				
	63	09457710158	70				
	62	09457710157	60				
	61	09457710156	50				
	60	09457710155	40				
	59	09457710154	30				
	58	09457710153	20				
	57	09457710152	15				
	56	09457710151	10				
	55	09457710131	9				
	54	09457710130	8				
	53	09457710129	7				
	Cont. no.	Part no.	Type of cable	Dim. a[m]			
	 All Dimensions in mm		Tech. Character.		Free size tol.		According to production drawing
	 All rights reserved Department HCS - RO		Created by COSTEA Costea	Inspected by STOCHECIC Stochechi	Standardisation MUNTEANV Muntean	Date 2019-07-18	State Final Release
	HARTING Customised Solutions D-32339 Espelkamp		Title RJ Industrial Cable Assembly		Doc-Key / ECM-Nr. 100081054/UGD/054/E 500000156154		Rev. E
			Type TB	Number 09457710XXX		Page 2/2	