

- 1
- 2
- 3
- 4
- 5
- 6
- 7
- 8
- 9
- 10
- 11
- 12
- 13
- 14
- 15
- 16
- 17
- 18

## BASE

Glass-fibre reinforced polyamide based (PA) technopolymer, black colour, matte finish.

## STANDARD EXECUTIONS

Zinc-plated steel threaded and articulated stem with regulation hexagon:

- **LV.FO**: base without no-slip disk.
- **LV.FO-AS**: base with NBR rubber no-slip disk, hardness 70 Shore A, supplied assembled to the base.

AISI 304 stainless steel articulated and threaded stem with regulation hexagon:

- **LV.FO-SST**: base without no-slip disk.
- **LV.FO-AS-SST**: base with NBR rubber no-slip disk, hardness 70 Shore A, supplied assembled to the base.

## GROUND MOUNTING

By means of two holes, supplied covered by a diaphragm (which can be easily removed by a metal tool), to avoid all unhealthy deposits of dirt and dust when only one hole is used (see Fig. 1).

## FEATURES

The special knurling under the lower lip of the base provides excellent stability and grip when using the levelling element without no-slip disk even on surfaces that are not perfectly flat.

The particular assembling system of the no-slip disk to the base assures a perfect anchoring, preventing separation even in case of impact during transport or of adhesion (sticking) to the floor (see No-slip disks on page 1283).

## ORDER INFORMATION

The levelling elements are supplied unassembled to make carriage and storage easier. The components (base and stem) are supplied in separate packing: less volume taken and better protection from scratches and dirt.

To order bases and stems separately, see:

- table of possible combinations Bases/Stems (see page 1292)
- the codes of the Bases (see page 1288)
- the codes of the Stems (see page 1290).

## ACCESSORIES ON REQUEST

AISI 304 stainless steel or zinc-plated steel nut (see Nuts NT. on page 1283).



ELESA Original design

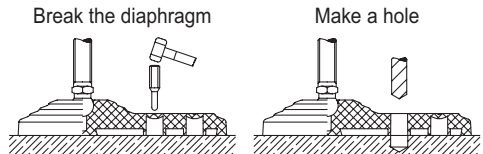
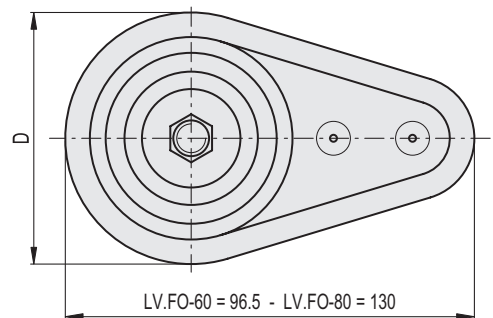
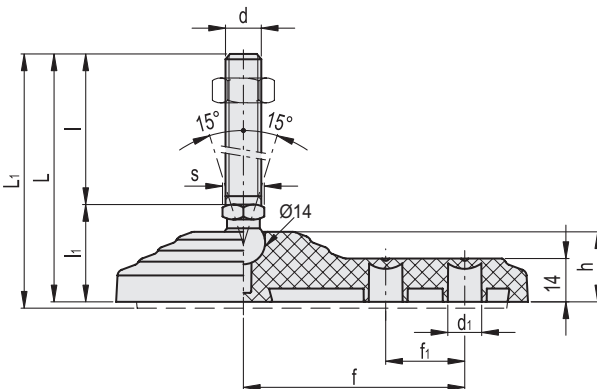


Fig. 1

Conversion Table	
1 mm = 0.039 inch	
D	
mm	inch
60	2.36
80	3.15



## LV.FO

METRIC

Code	Description	Code	Description	D	d	d1	L	L1#	l	li	h	f	ft	s	Max. limit stati load* [N]	△	△	#
513011	LV.FO-60-14-M8x43	516011	LV.FO-60-14-AS-M8x43	60	M8	8.5	73	75	43	30	21	50	18	14	14000	78	94	
513016	LV.FO-60-14-M8x68	516016	LV.FO-60-14-AS-M8x68	60	M8	8.5	98	100	68	30	21	50	18	14	14000	90	106	
513021	LV.FO-60-14-M10x43	516021	LV.FO-60-14-AS-M10x43	60	M10	8.5	73	75	43	30	21	50	18	14	14000	87	103	
513026	LV.FO-60-14-M10x68	516026	LV.FO-60-14-AS-M10x68	60	M10	8.5	98	100	68	30	21	50	18	14	14000	99	115	
513031	LV.FO-60-14-M10x98	516031	LV.FO-60-14-AS-M10x98	60	M10	8.5	128	130	98	30	21	50	18	14	14000	113	129	
513036	LV.FO-60-14-M12x43	516036	LV.FO-60-14-AS-M12x43	60	M12	8.5	73	75	43	30	21	50	18	14	14000	97	113	
513041	LV.FO-60-14-M12x68	516041	LV.FO-60-14-AS-M12x68	60	M12	8.5	98	100	68	30	21	50	18	14	14000	114	130	
513046	LV.FO-60-14-M12x98	516046	LV.FO-60-14-AS-M12x98	60	M12	8.5	128	130	98	30	21	50	18	14	14000	135	151	
513047	LV.FO-60-14-M14x68	516047	LV.FO-60-14-AS-M14x68	60	M14	8.5	98	100	68	30	21	50	18	14	14000	136	152	
513049	LV.FO-60-14-M14x98	516049	LV.FO-60-14-AS-M14x98	60	M14	8.5	128	130	98	30	21	50	18	14	14000	157	174	
513050	LV.FO-60-14-M14x148	516050	LV.FO-60-14-AS-M14x148	60	M14	8.5	178	180	148	30	21	50	18	14	14000	240	256	
513051	LV.FO-60-14-M16x68	516051	LV.FO-60-14-AS-M16x68	60	M16	8.5	98	100	68	30	21	50	18	16	14000	158	174	
513056	LV.FO-60-14-M16x108	516056	LV.FO-60-14-AS-M16x108	60	M16	8.5	138	140	108	30	21	50	18	16	14000	210	226	
513061	LV.FO-60-14-M16x148	516061	LV.FO-60-14-AS-M16x148	60	M16	8.5	178	180	148	30	21	50	18	16	14000	262	278	
513066	LV.FO-60-14-M16x168	516066	LV.FO-60-14-AS-M16x168	60	M16	8.5	198	200	168	30	21	50	18	16	14000	288	304	
513121	LV.FO-80-14-M8x43	516121	LV.FO-80-14-AS-M8x43	80	M8	10.5	74	76	43	31	22	70	25	14	16000	116	146	
513125	LV.FO-80-14-M8x68	516125	LV.FO-80-14-AS-M8x68	80	M8	10.5	99	101	68	31	22	70	25	14	16000	128	158	
513221	LV.FO-80-14-M10x43	516221	LV.FO-80-14-AS-M10x43	80	M10	10.5	74	76	43	31	22	70	25	14	16000	125	155	
513225	LV.FO-80-14-M10x68	516225	LV.FO-80-14-AS-M10x68	80	M10	10.5	99	101	68	31	22	70	25	14	16000	137	167	
513231	LV.FO-80-14-M10x98	516231	LV.FO-80-14-AS-M10x98	80	M10	10.5	129	131	98	31	22	70	25	14	16000	151	181	
513321	LV.FO-80-14-M12x43	516321	LV.FO-80-14-AS-M12x43	80	M12	10.5	74	76	43	31	22	70	25	14	16000	135	165	
513325	LV.FO-80-14-M12x68	516325	LV.FO-80-14-AS-M12x68	80	M12	10.5	99	101	68	31	22	70	25	14	16000	152	182	
513331	LV.FO-80-14-M12x98	516331	LV.FO-80-14-AS-M12x98	80	M12	10.5	129	131	98	31	22	70	25	14	16000	173	203	
513421	LV.FO-80-14-M14x68	516421	LV.FO-80-14-AS-M14x68	80	M14	10.5	99	101	68	31	22	70	25	14	16000	174	204	
513431	LV.FO-80-14-M14x98	516431	LV.FO-80-14-AS-M14x98	80	M14	10.5	129	131	98	31	22	70	25	14	16000	196	225	
513441	LV.FO-80-14-M14x148	516441	LV.FO-80-14-AS-M14x148	80	M14	10.5	179	181	148	31	22	70	25	14	16000	278	308	
513521	LV.FO-80-14-M16x68	516521	LV.FO-80-14-AS-M16x68	80	M16	10.5	99	101	68	31	22	70	25	16	16000	196	226	
513525	LV.FO-80-14-M16x108	516525	LV.FO-80-14-AS-M16x108	80	M16	10.5	139	141	108	31	22	70	25	16	16000	248	278	
513541	LV.FO-80-14-M16x148	516541	LV.FO-80-14-AS-M16x148	80	M16	10.5	179	181	148	31	22	70	25	16	16000	300	330	
513561	LV.FO-80-14-M16x168	516561	LV.FO-80-14-AS-M16x168	80	M16	10.5	199	201	168	31	22	70	25	16	16000	326	356	

## LV.FO-SST

INOX

STAINLESS  
STEEL

METRIC

533011	LV.FO-60-14-SST-M8x43	535901	LV.FO-60-14-AS-SST-M8x43	60	M8	8.5	73	75	43	30	21	50	18	14	14000	79	95	
533016	LV.FO-60-14-SST-M8x68	535906	LV.FO-60-14-AS-SST-M8x68	60	M8	8.5	98	100	68	30	21	50	18	14	14000	91	107	
533021	LV.FO-60-14-SST-M10x43	535911	LV.FO-60-14-AS-SST-M10x43	60	M10	8.5	73	75	43	30	21	50	18	14	14000	88	104	
533026	LV.FO-60-14-SST-M10x68	535916	LV.FO-60-14-AS-SST-M10x68	60	M10	8.5	98	100	68	30	21	50	18	14	14000	101	117	
533031	LV.FO-60-14-SST-M10x98	535921	LV.FO-60-14-AS-SST-M10x98	60	M10	8.5	128	130	98	30	21	50	18	14	14000	115	131	
533036	LV.FO-60-14-SST-M12x43	535926	LV.FO-60-14-AS-SST-M12x43	60	M12	8.5	73	75	43	30	21	50	18	14	14000	98	114	
533041	LV.FO-60-14-SST-M12x68	535931	LV.FO-60-14-AS-SST-M12x68	60	M12	8.5	98	100	68	30	21	50	18	14	14000	116	132	
533046	LV.FO-60-14-SST-M12x98	535936	LV.FO-60-14-AS-SST-M12x98	60	M12	8.5	128	130	98	30	21	50	18	14	14000	138	154	
533047	LV.FO-60-14-SST-M14x68	535937	LV.FO-60-14-AS-SST-M14x68	60	M14	8.5	98	100	68	30	21	50	18	14	14000	139	155	
533049	LV.FO-60-14-SST-M14x98	535939	LV.FO-60-14-AS-SST-M14x98	60	M14	8.5	128	130	98	30	21	50	18	14	14000	160	176	
533050	LV.FO-60-14-SST-M14x148	535940	LV.FO-60-14-AS-SST-M14x148	60	M14	8.5	178	180	148	30	21	50	18	14	14000	243	259	
533051	LV.FO-60-14-SST-M16x68	535941	LV.FO-60-14-AS-SST-M16x68	60	M16	8.5	98	100	68	30	21	50	18	16	14000	161	177	
533056	LV.FO-60-14-SST-M16x108	535946	LV.FO-60-14-AS-SST-M16x108	60	M16	8.5	138	140	108	30	21	50	18	16	14000	215	231	
533061	LV.FO-60-14-SST-M16x148	535951	LV.FO-60-14-AS-SST-M16x148	60	M16	8.5	178	180	148	30	21	50	18	16	14000	268	284	
533066	LV.FO-60-14-SST-M16x168	535956	LV.FO-60-14-AS-SST-M16x168	60	M16	8.5	198	200	168	30	21	50	18	16	14000	295	311	
533121	LV.FO-80-14-SST-M8x43	536121	LV.FO-80-14-AS-SST-M8x43	80	M8	10.5	74	76	43	31	22	70	25	14	16000	117	147	
533125	LV.FO-80-14-SST-M8x68	536125	LV.FO-80-14-AS-SST-M8x68	80	M8	10.5	99	101	68	31	22	70	25	14	16000	129	159	
533221	LV.FO-80-14-SST-M10x43	536221	LV.FO-80-14-AS-SST-M10x43	80	M10	10.5	74	76	43	31	22	70	25	14	16000	126	156	
533225	LV.FO-80-14-SST-M10x68	536225	LV.FO-80-14-AS-SST-M10x68	80	M10	10.5	99	101	68	31	22	70	25	14	16000	139	169	
533231	LV.FO-80-14-SST-M10x98	536231	LV.FO-80-14-AS-SST-M10x98	80	M10	10.5	129	131	98	31	22	70	25	14	16000	153	183	
533321	LV.FO-80-14-SST-M12x43	536321	LV.FO-80-14-AS-SST-M12x43	80	M12	10.5	74	76	43	31	22	70	25	14	16000	136	166	
533325	LV.FO-80-14-SST-M12x68	536325	LV.FO-80-14-AS-SST-M12x68	80	M12	10.5	99	101	68	31	22	70	25	14	16000	154	184	
533331	LV.FO-80-14-SST-M12x98	536331	LV.FO-80-14-AS-SST-M12x98	80	M12	10.5	129	131	98	31	22	70	25	14	16000	176	206	
533421	LV.FO-80-14-SST-M14x68	536421	LV.FO-80-14-AS-SST-M14x68	80	M14	10.5	99	101	68	31	22	70	25	14	16000	177	207	
533431	LV.FO-80-14-SST-M14x98	536431	LV.FO-80-14-AS-SST-M14x98	80	M14	10.5	129	131	98	31	22	70	25	14	16000	198	228	
533441	LV.FO-80-14-SST-M14x148	536441	LV.FO-80-14-AS-SST-M14x148	80	M14	10.5	179	181	148	31	22	70	25	14	16000	281	311	
533521	LV.FO-80-14-SST-M16x68	536521	LV.FO-80-14-AS-SST-M16x68	80	M16	10.5	99	101	68	31	22	70	25	16	16000	199	229	
533525	LV.FO-80-14-SST-M16x108	536525	LV.FO-80-14-AS-SST-M16x108	80	M16	10.5	139	141	108	31	22	70	25	16	16000	253	283	
533541	LV.FO-80-14-SST-M16x148	536541	LV.FO-80-14-AS-SST-M16x148	80	M16	10.5	179	181	148	31	22	70	25	16	16000	306	336	
533561	LV.FO-80-14-SST-M16x168	536561	LV.FO-80-14-AS-SST-M16x168	80	M16	10.5	199	201	168	31	22	70	25	16	16000	333	363	

\* The max static load is the value above which the load applied to the element may cause some plastic material breakage, in particular conditions of use. Obviously, a factor that takes into consideration the importance and the safety level of the specific application must be applied to this value.

# Data with no-slip disk mounted.