



E197851

18.29 x 10.28 x 15.49 mm

## Features

- Switching capacity up to 10A
- Small size and light weight
- Low coil power consumption
- High contact load



## Contact Data\*

Contact Arrangement	1A = SPST N.O.
Contact Rating N.O.	10A @ 120VAC, Resistive, 10K cycles, 85°C ambient 10A @ 277VAC, Resistive, 10K cycles, 40°C ambient 5A @ 240VAC, Resistive, 10K cycles, 85°C ambient 5A @ 277VAC, General Purpose, 100K cycles, 105°C 3A @ 30VDC, Resistive, 10K cycles, 85°C ambient TV-5 @ 120VAC, 25K cycles, 40°C ambient ¼ hp @ 120/240/277VAC, 6K cycles, 40°C ambient

Contact Resistance	< 50 milliohms initial
Contact Material	AgSnO <sub>2</sub>
Maximum Switching Power	2770VA
Maximum Switching Voltage	277VAC
Maximum Switching Current	10A

## Coil Data\*

Coil Voltage VDC		Coil Resistance Ω +/- 10%		Pick Up Voltage VDC (max) 75% of rated voltage	Release Voltage VDC (min) 10% of rated voltage	Coil Power W	Operate Time ms	Release Time ms
Rated	Max	.20W	.45W					
3	3.9	45	20	2.25	0.3	.20 or .45	10	10
5	6.5	125	55	3.75	0.5			
6	7.8	180	80	4.50	0.6			
9	11.7	405	180	6.75	0.9			
12	15.6	720	320	9.00	1.2			
18	22.8	1620	720	13.50	1.8			
24	31.2	2880	1280	18.00	2.4			
48	62.4	n/a	5120	36.00	4.8			

## General Data\*

Electrical Life @ rated load	100K cycles, average	
Mechanical Life	10M cycles, average	
Insulation Resistance	1000M Ω min. @ 500VDC, initial	
Dielectric Strength	Coil to Contact	4000V rms min. @ sea level, initial
	Contact to Contact	1000V rms min. @ sea level, initial
Shock Resistance	100m/s <sup>2</sup> for 11 ms	
Vibration Resistance	1.50mm double amplitude 10~55Hz	
Operating Temperature	-55°C to +85°C	
Storage Temperature	-55°C to +125°C	
Solderability	260°C for 5 s	
Weight	7g	

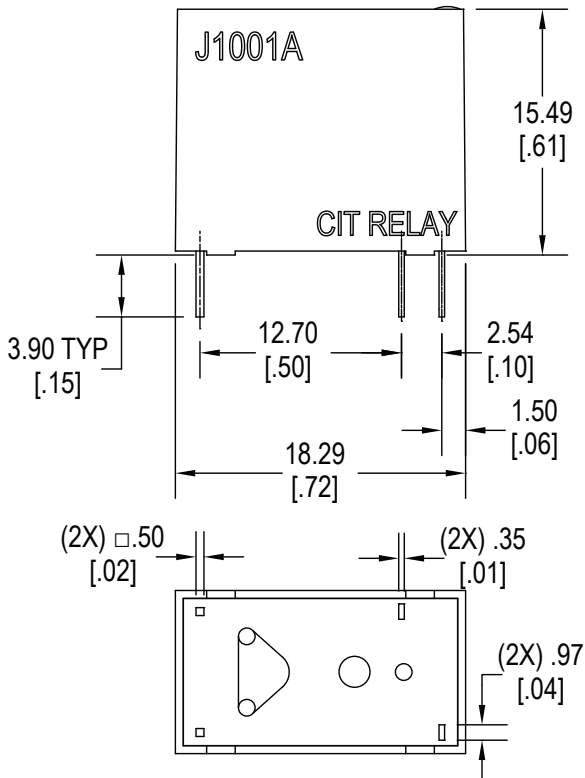
\* Values can change due to the switching frequency, desired reliability levels, environmental conditions and in-rush load levels. It is recommended to test actual load conditions for the application. It is the user's responsibility to determine the performance suitability for their specific application. The use of any coil voltage less than the rated coil voltage may compromise the operation of the relay.

## Ordering Information

1. Series	J100	1A	S	12VDC	.45
J100					
2. Contact Arrangement	1A = SPST N.O.				
3. Sealing Option	S = Sealed, Standard				
4. Coil Voltage	3VDC 5VDC 6VDC 9VDC 12VDC 18VDC 24VDC 48VDC **only available with .45W coil power				
5. Coil Power	.20 = .20W .45 = .45W				

## Dimensions

Units = mm



## Schematics & PC Layouts

Bottom Views

