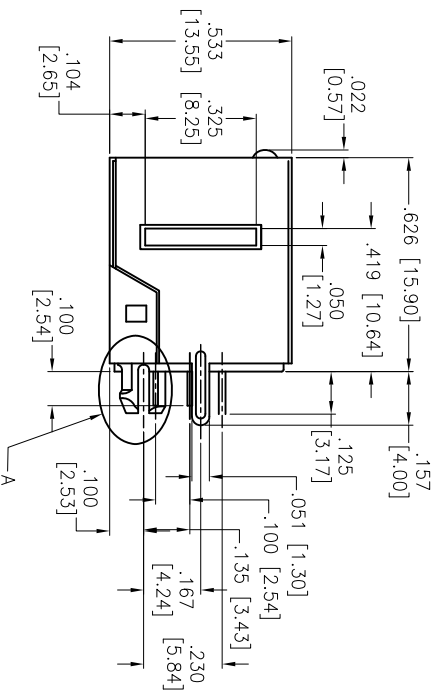
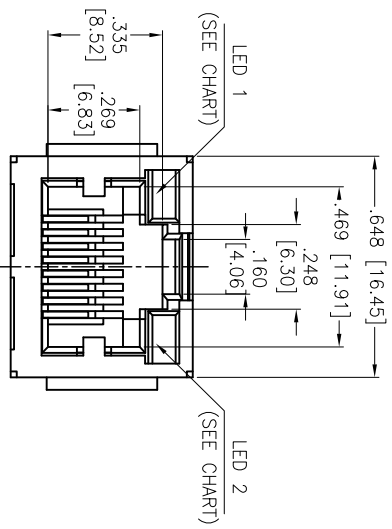
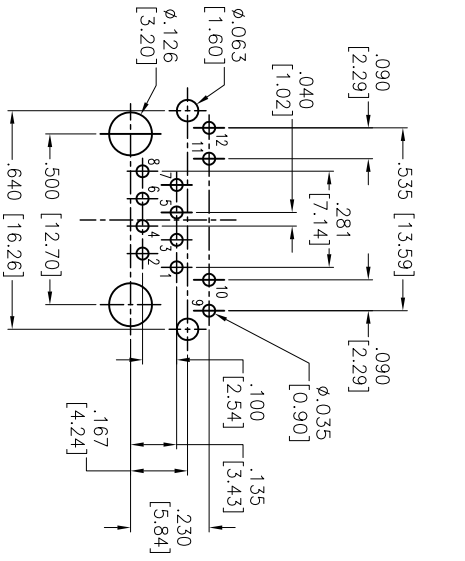
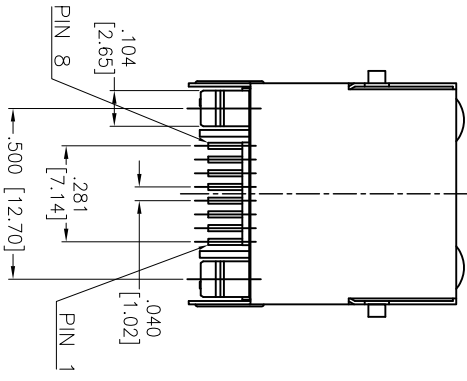


APPROVED: \_\_\_\_\_  
 DATE: \_\_\_\_\_ TITLE: \_\_\_\_\_

Rev	AWO #	Description	Date	Appr
-		RELEASED	12/19/13	
A		UPDATE DRAWING	4/11/16	AV/CH



RECOMMENDED PCB LAYOUT



Part Number	LED 1 Color	LED 2 Color
MTJ-88DX1-FSQ-LD	Green	Green
MTJ-88DX1-FSQ-LG	Yellow	Green
MTJ-88DX1-FSQ-LH	Green	Yellow
MTJ-88DX1-FSQ-LP	Yellow/Green	Yellow/Green
MTJ-88DX1-FSQ-LV	Green	Yellow/Green
MTJ-88DX1-FSQ-L16	Green/Yellow	Green/Yellow

**SPECIFICATIONS:**  
 Material: PA46, Glass reinforced, rated UL 94V-0  
 Insulator color: Black  
 Contacts: Phosphor Bronze  
 Shell: Brass, Nickel Plated  
 LED solder tail: Steel, Tin plated  
 Plating:  
 Round contact  
 Gold over Nickel underplate overall  
 Flat contact  
 Gold over Nickel underplate on contact area,  
 Tin over Copper underplate on solder tails  
 Electrical:  
 Voltage rating: 150 VAC max  
 Current rating: 1.5 Amps max  
 Contact resistance: 20 mohms max  
 Insulation resistance: 500 Mohms min @ 500 VDC  
 Dielectric withstanding voltage: 1,500 VRMS for 1 minute  
 Temperature Rating:  
 Operating temperature: -40°C to +85°C  
 Environmental:  
 Lead free, RoHS compliant.

**ADAM TECH**

909 Railway Avenue, Union, NJ 07083  
 Phone: 908-687-5000 Fax: 908-687-5710

TITLE: MODULAR TELEPHONE JACK, 8P9C,  
 W/LEDS

UNLESS OTHERWISE SPECIFIED ALL DIMENSIONS ARE INCHES [MM]	
TOLERANCES: EXCEPT AS NOTED	
INCHES	HOLES
.X ± .10	± .10
.XX ± .020	± .015
.XXX ± .015	± .010
APPROVALS	DATE
DRAWN	HR
CHECKED	GC
APPROVED	

SIZE	PART NO.	REV.
X	MTJ-88DX1-FSQ-LX	A
REF:	S00065T	SHEET 1 OF 1
SCALE:	NIS	

