

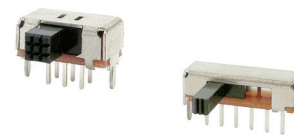
# SK Series Miniature Slide Switches - Side Knob

## Features/Benefits

- Broad range of products
- Different travel - 2mm, 3mm & 4mm
- Various circuit design - 1P2T/3T/4T & 2P2T/3T/4T
- Various knob length & style
- Shorting or non-shorting
- Custom design available
- RoHS compliant

## Typical Applications

- Consumer electronics
- Computer peripherals
- Telecommunication
- Audio & visual equipment
- Industrial



## How To Order

Part number list is shown below. For individual part details, please refer to the following pages.

Note: Knob material POM is suitable for Iron soldering; PA is compatible for wave soldering.

Part Number (Part Description)	Product Details
SK-12D04-G 3 NS	1P2T, 2mm travel, Frame H=4.7mm, Tail L=3.3mm, Knob type G with L=3mm, POM, Non shorting
SK-12D04-VG 3 NS	1P2T, 2mm travel, Frame H=4.7mm, Tail L=3.3mm, Knob type VG with L=3mm, POM, Non shorting
SK-12D07-G 5 NS PA	1P2T, 2mm travel, Frame H=4.7mm, Tail L=3.3mm, Knob type G with L=5mm, PA, Non shorting
SK-12D07-G 6 NS PA	1P2T, 2mm travel, Frame H=4.7mm, Tail L=3.3mm, Knob type G with L=6mm, PA, Non shorting
SK-12D07-VG 4 NS PA	1P2T, 2mm travel, Frame H=4.7mm, Tail L=3.3mm, Knob type VG with L=4mm, PA, Non shorting
SK-12D07-VG 4 NS PA LT	1P2T, 2mm travel, Frame H=5mm, Vertical bending, Knob type VG with L=4mm, PA, Non shorting
SK-12D26-G 6.5 NS	1P2T, 2mm travel, Frame H=10.5mm, Tail L=3.3mm, Knob type G with L=6.5mm, POM, Non shorting
SK-12D26-G 6.5 NS GY	1P2T, 2mm travel, Frame H=10.5mm, Tail L=3.3mm, Knob type G with L=6.5mm, POM, Grey, Non shorting
SK-13D16-VG 5 PA	1P3T, 2mm travel, Frame H=4.7mm, Tail L=3.3mm, Knob type VG with L=5mm, PA
SK-13D37-G 6 NS	1P3T, 2mm travel, Frame H=8.5mm, Tail L=2.3mm, Knob type G with L=6mm, POM, Non shorting
SK-14D01-G 6	1P4T, 2mm travel, Frame H=4.7mm, Tail L=3.3mm, Knob type G with L=6mm, POM
SK-22D01-MG 5 NS	2P2T, 2mm travel, Frame H=3mm, Tail L=2.8mm, Knob type MG with L=5mm, POM, Non shorting
SK-22D05-G 4 NS	2P2T, 2mm travel, Frame H=5mm, Tail L=2.8mm, Knob type G with L=4mm, POM, Non shorting
SK-22D05-G 6 NS	2P2T, 2mm travel, Frame H=5mm, Tail L=2.8mm, Knob type G with L=4mm, POM, Non shorting
SK-22D06-SG 5 NS	2P2T, 2mm travel, Frame H=6mm, Tail L=2.5mm, Knob type SG with L=5mm, POM, Non shorting
SK-22D06-SG 6 NS	2P2T, 2mm travel, Frame H=6mm, Tail L=2.5mm, Knob type SG with L=5mm, POM, Non shorting
SK-22D21-G 5 NS	2P2T, 2mm travel, Frame H=8.5mm, Tail L=3.5mm, Knob type G with L=5mm, POM, Non shorting
SK-22D28-G 6 NS	2P2T, 2mm travel, Frame H=8.5mm, Tail L=3.3mm, Knob type G with L=6mm, POM, Non shorting
SK-22D37-SG 6 NS PA	2P2T, 2mm travel, Frame H=5.5mm, Tail L=2.3mm, Knob type SG with L=6mm, PA, Non shorting
SK-23D04-G 9	2P3T, 2mm travel, Frame H=8.5mm, Tail L=3.9mm, Knob type G with L=9mm, POM

# SK Series Miniature Slide Switches - Side Knob

Part Number (Part Description)	Product Details
SK-23D04-G 12	2P3T, 2mm travel, Frame H=8.5mm, Tail L=3.9mm, Knob type G with L=12mm, POM
SK-23D05-G 5	2P3T, 2mm travel, Frame H=5mm, Tail L=2.8mm, Knob type G with L=5mm, POM
SK-23D24-G 4	2P3T, 2mm travel, Frame H=8.5mm, Tail L=3.7mm, Knob type G with L=4mm, POM
SK-23D24-G 7	2P3T, 2mm travel, Frame H=8.5mm, Tail L=3.7mm, Knob type G with L=7mm, POM
SK-23D28-G 6 NS	2P3T, 2mm travel, Frame H=8.5mm, Tail L=3.3mm, Knob type G with L=6mm, POM, Non shorting
SK-23D44-G 9 K	2P3T, 2mm travel, Frame H=8.5mm, Tail L=3.9mm, Knob type G with L=9mm, POM, Non shorting between POS 1 & 2, shorting between POS 2 & 3
SK-24D24-CV 7 GY	2P4T, 2mm travel, Frame H=9.85mm, Tail L=3.7mm, Knob type CV with L=7mm, POM, Grey
SK-24D28-G 4 NS	2P4T, 2mm travel, Frame H=8.5mm, Tail L=3.3mm, Knob type G with L=4mm, POM, Non shorting
SK-24D28-G 6 NS	2P4T, 2mm travel, Frame H=8.5mm, Tail L=3.3mm, Knob type G with L=6mm, POM, Non shorting
SK-42D05-G 6 NS	4P2T, 2mm travel, Frame H=5mm, Tail L=2.7mm, Knob type G with L=6mm, POM, Non shorting
SK-12F17-G 7	1P2T, 3mm travel, Frame H=8mm, Tail L=3.3mm, Knob type G with L=7mm, PBT, Non shorting
SK-23F28-G 6 NS	2P3T, 3mm travel, Frame H=8.5mm, Tail L=3mm, Knob type G with L=6mm, POM, Non shorting
SK-24F28-G 6 NS	2P4T, 3mm travel, Frame H=8.5mm, Tail L=3mm, Knob type G with L=6mm, POM, Non shorting
SK-42F28-G 6 NS	4P2T, 3mm travel, Frame H=8.5mm, Tail L=3mm, Knob type G with L=6mm, POM, Non shorting
SK-12H04-G 6 NS PA	1P2T, 4mm travel, Frame H=8.5mm, Tail L=3.9mm, Knob type G with L=6mm, PA, Non shorting
SK-22H04-G 7 NS	2P2T, 4mm travel, Frame H=8.5mm, Tail L=3.9mm, Knob type G with L=7mm, POM, Non shorting
SK-22H04-G 9 NS	2P2T, 4mm travel, Frame H=8.5mm, Tail L=3.9mm, Knob type G with L=9mm, POM, Non shorting
SK-22H04-G 12 NS	2P2T, 4mm travel, Frame H=8.5mm, Tail L=3.9mm, Knob type G with L=12mm, POM, Non shorting
SK-22H24-G 4 NS	2P2T, 4mm travel, Frame H=8.5mm, Tail L=3.7mm, Knob type G with L=4mm, POM, Non shorting
SK-22H24-G 5 NS	2P2T, 4mm travel, Frame H=8.5mm, Tail L=3.7mm, Knob type G with L=5mm, POM, Non shorting
SK-22H24-G 6 NS	2P2T, 4mm travel, Frame H=8.5mm, Tail L=3.7mm, Knob type G with L=6mm, POM, Non shorting

Slide

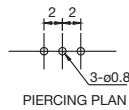
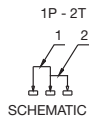
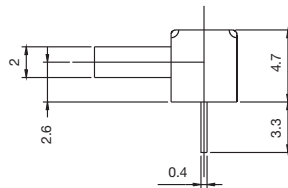
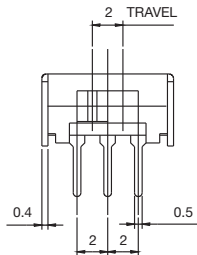
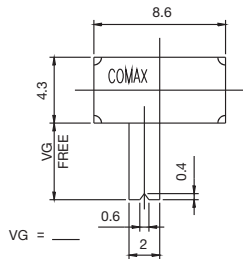
Slide

# SK Series Miniature Slide Switches - Side Knob

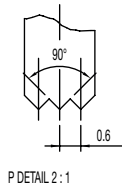
## 2MM TRAVEL

**SK-12D04-G 3 NS** 1P2T NON-SHORTING 3MM KNOB

**SK-12D04-VG 3 NS** 1P2T NON-SHORTING 3MM KNOB (VG)



### G knob style



### Specifications

CONTACT RATING: 0.3A @ 30 VDC

INITIAL CONTACT RESISTANCE: 30 m ohms max.

INSULATION RESISTANCE: 100 M ohms min.

DIELECTRIC STRENGTH: 500 V AC (50-60 Hz) between open terminals and between the frame and terminal.

OPERATING LIFE: 10,000 cycles with load

OPERATING FORCE: 250 ± 100 gf (2.45 ± 0.98N)

TRAVEL: 2 ± 0.3 mm

OPERATING TEMPERATURE: -20°C to 70°C

### Materials

KNOB: POM

FRAME: SPCC

CONTACT: Silver clad

TERMINAL: Silver plated

Slide

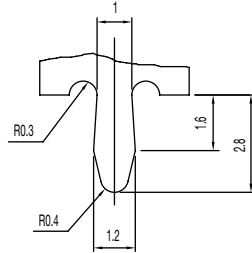
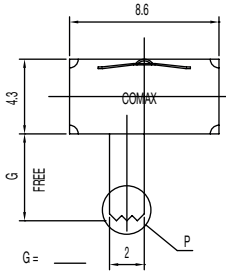
# SK Series Miniature Slide Switches - Side Knob

**SK-12D07-G 5 NS PA** 1P2T NON-SHORTING 5MM KNOB

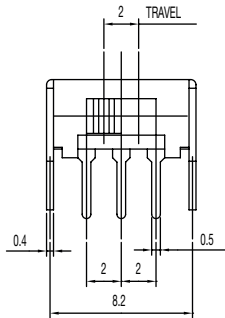
**SK-12D07-G 6 NS PA** 1P2T NON-SHORTING 6MM KNOB

**SK-12D07-VG 4 NS PA** 1P2T NON-SHORTING 4MM KNOB (VG)

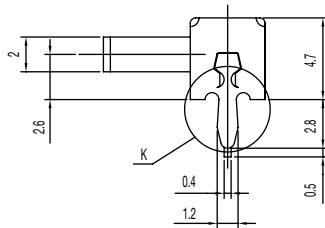
Slide



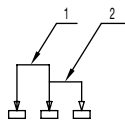
K DETAIL 2:1



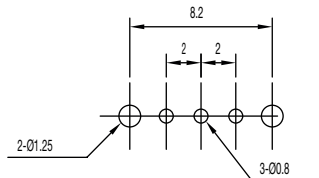
1P-2T



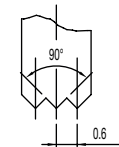
PIERCING PLAN



SCHEMATIC

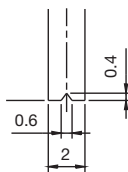


## G knob style



P DETAIL 2:1

## VG knob style



## Specifications

CONTACT RATING: 0.3A @ 30 VDC

INITIAL CONTACT RESISTANCE: 30 m ohms max.

INSULATION RESISTANCE: 100 M ohms min.

DIELECTRIC STRENGTH: 500 V AC (50-60 Hz) between open terminals and between the frame and terminal.

OPERATING LIFE: 10,000 cycles with load

OPERATING FORCE: 250 ± 100 gf (2.45 ± 0.98N)

TRAVEL: 2 ± 0.3 mm

OPERATING TEMPERATURE: -20°C to 70°C

## Materials

KNOB: PA

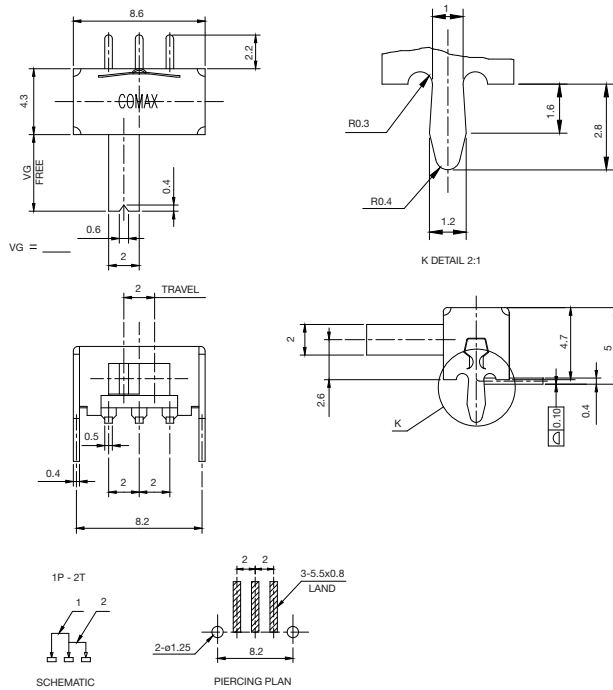
FRAME: SPCC

CONTACT: Silver clad

TERMINAL: Silver plated

# SK Series Miniature Slide Switches - Side Knob

**SK-12D07-VG 4 NS PA LT** IP2T NON-SHORTING 4MM KNOB (VG)



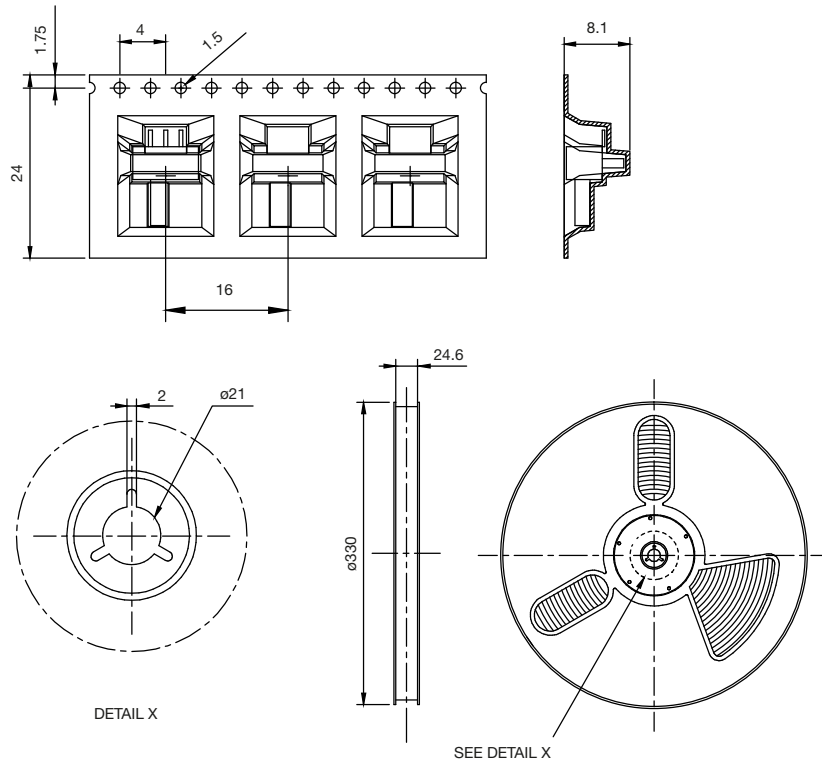
## Specifications

CONTACT RATING: 0.3A @ 30 VDC  
 INITIAL CONTACT RESISTANCE: 30 m ohms max.  
 INSULATION RESISTANCE: 100 M ohms min.  
 DIELECTRIC STRENGTH: 500 V AC (50-60 Hz) between open terminals and between the frame and terminal.  
 OPERATING LIFE: 10,000 cycles with load  
 OPERATING FORCE: 250 ± 100 gf (2.45 ± 0.98N)  
 TRAVEL: 2 ± 0.3 mm  
 OPERATING TEMPERATURE: -30°C to 80°C

## Materials

KNOB: PA  
 FRAME: SPCC  
 CONTACT: Silver clad  
 TERMINAL: Silver plated

Packaging: Tape & Reel

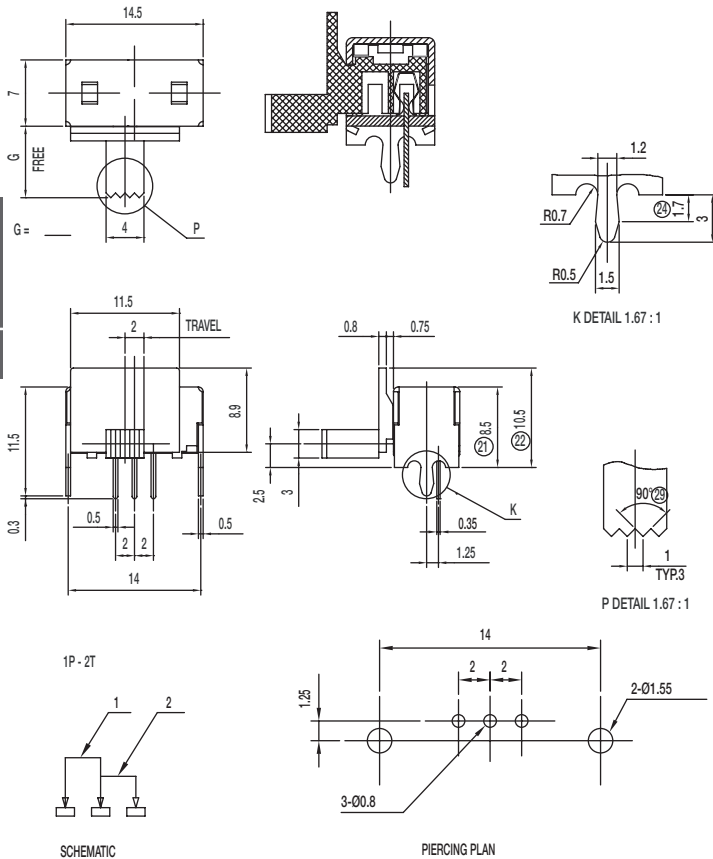


Total 400 pcs per reel

# SK Series Miniature Slide Switches - Side Knob

**SK-12D26-G 6.5 NS** 1P2T NON-SHORTING 6.5MM KNOB

**SK-12D26-G 6.5 NS GY** 1P2T NON-SHORTING 6.5MM KNOB



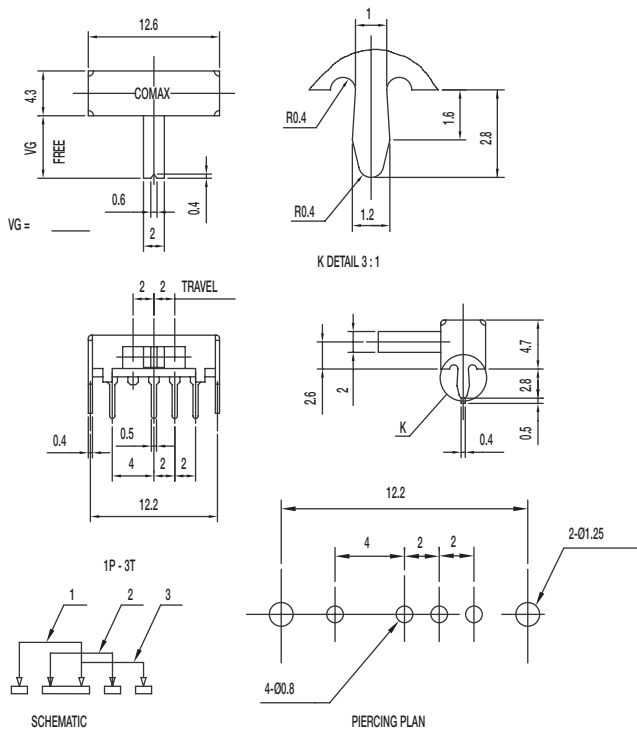
## Specifications

CONTACT RATING: 0.3A @ 30 VDC  
 INITIAL CONTACT RESISTANCE: 20 m ohms max.  
 INSULATION RESISTANCE: 500 M ohms min.  
 DIELECTRIC STRENGTH: 500 V AC (50-60 Hz) between open terminals and between the frame and terminal.  
 OPERATING LIFE: 10,000 cycles with load  
 OPERATING FORCE: 250 ± 100 gf (2.45 ± 0.98N)  
 TRAVEL: 2 ± 0.3 mm  
 OPERATING TEMPERATURE: -20°C to 70°C

## Materials

KNOB: POM for **SK-12D26-G 6.5 NS**  
 POM (GY = Grey) for **SK-12D26-G 6.5 NS GY**  
 FRAME: SPCC  
 CONTACT: Silver clad  
 TERMINAL: Silver plated

**SK-13D16-VG 5 PA** 1P3T 5MM KNOB



## Specifications

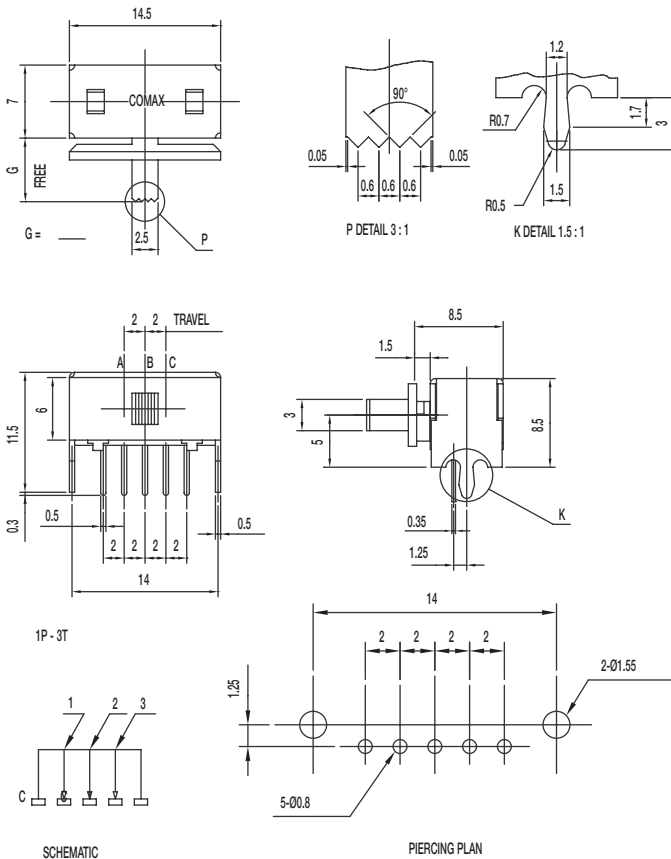
CONTACT RATING: 0.3A @ 30 VDC  
 INITIAL CONTACT RESISTANCE: 30 m ohms max.  
 INSULATION RESISTANCE: 100 M ohms min.  
 DIELECTRIC STRENGTH: 500 V AC (50-60 Hz) between open terminals and between the frame and terminal.  
 OPERATING LIFE: 10,000 cycles with load  
 OPERATING FORCE: 200 ± 100 gf (1.96 ± 0.98N)  
 250 ± 100 gf (2.45 ± 0.98N)  
 TRAVEL: 2 ± 0.3 mm  
 OPERATING TEMPERATURE: -20°C to 70°C

## Materials

KNOB: PA  
 FRAME: SPCC  
 CONTACT: Silver clad  
 TERMINAL: Silver plated

# SK Series Miniature Slide Switches - Side Knob

## SK-13D37-G 6 NS 1P3T NON-SHORTING 6MM KNOB



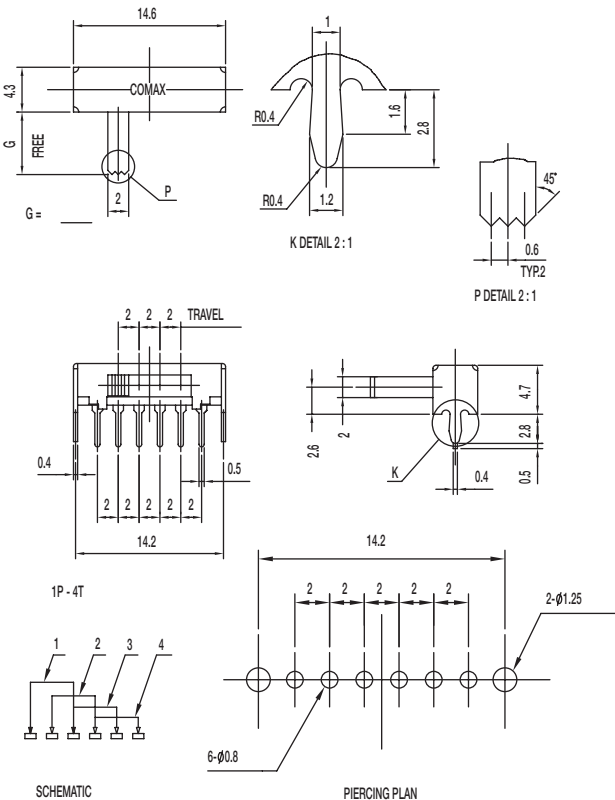
### Specifications

CONTACT RATING: 0.3A @ 30 VDC  
 INITIAL CONTACT RESISTANCE: 30 m ohms max.  
 INSULATION RESISTANCE: 100 M ohms min.  
 DIELECTRIC STRENGTH: 500 V AC (50-60 Hz) between open terminals and between the frame and terminal.  
 OPERATING LIFE: 10,000 cycles with load  
 OPERATING FORCE: 200 ± 100 gf (1.96 ± 0.98N)  
 300 ± 150 gf (2.94 ± 1.47N)  
 TRAVEL: 2 ± 0.3 mm  
 OPERATING TEMPERATURE: -20°C to 70°C

### Materials

KNOB: POM  
 FRAME: SPCC  
 CONTACT: Silver clad  
 TERMINAL: Silver plated

## SK-14D01-G 6 1P4T 6MM KNOB



### Specifications

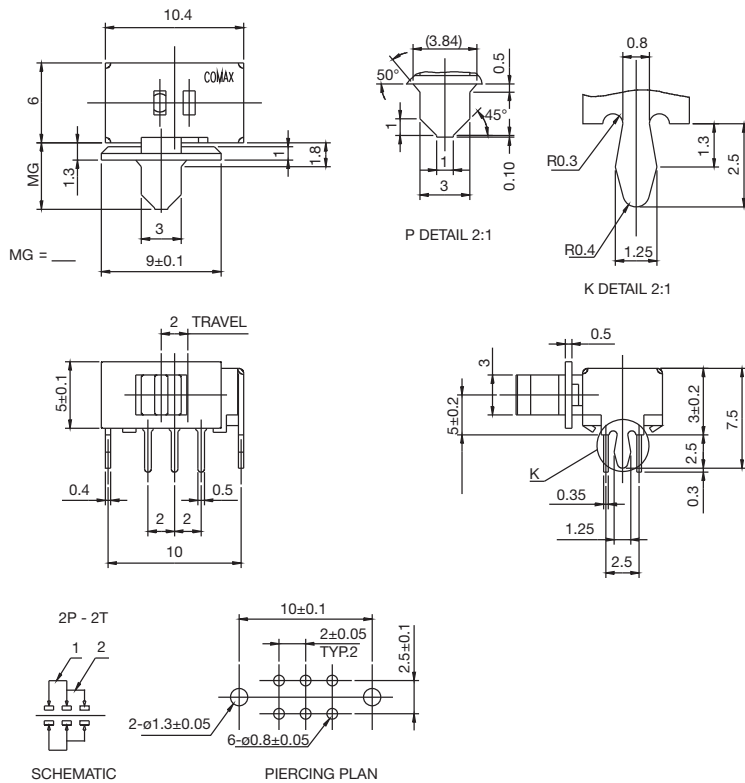
CONTACT RATING: 0.3A @ 30 VDC  
 INITIAL CONTACT RESISTANCE: 30 m ohms max.  
 INSULATION RESISTANCE: 100 M ohms min.  
 DIELECTRIC STRENGTH: 500 V AC (50-60 Hz) between open terminals and between the frame and terminal.  
 OPERATING LIFE: 10,000 cycles with load  
 OPERATING FORCE: 200 ± 100 gf (1.96 ± 0.98N)  
 250 ± 100 gf (2.45 ± 0.98N)  
 TRAVEL: 2 ± 0.3 mm  
 OPERATING TEMPERATURE: -20°C to 70°C

### Materials

KNOB: POM  
 FRAME: SPCC  
 CONTACT: Silver clad  
 TERMINAL: Silver plated

# SK Series Miniature Slide Switches - Side Knob

**SK-22D01-MG 5 NS** DPDT NON-SHORTING 5MM KNOB



## Specifications

- CONTACT RATING: 0.3A @ 30 VDC
- INITIAL CONTACT RESISTANCE: 30 m ohms max.
- INSULATION RESISTANCE: 100 M ohms min.
- DIELECTRIC STRENGTH: 500 V AC (50-60 Hz) between open terminals and between the frame and terminal.
- OPERATING LIFE: 10,000 cycles with load
- OPERATING FORCE: 250 ± 100 gf (2.45 ± 0.98N)
- TRAVEL: 2 ± 0.3 mm
- OPERATING TEMPERATURE: -20°C to 70°C

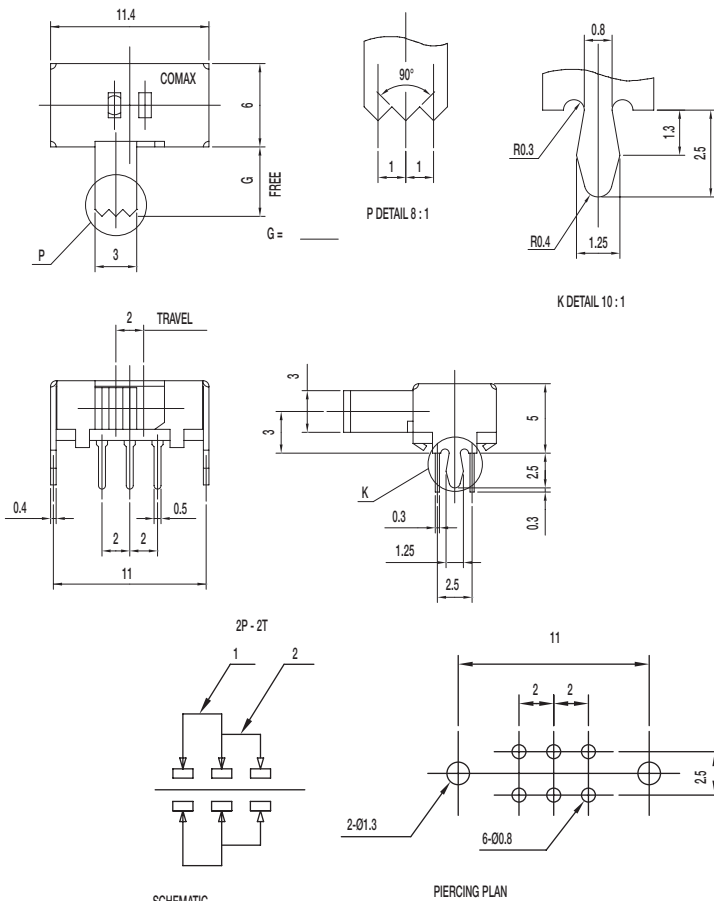
## Materials

- KNOB: POM
- FRAME: SPCC
- CONTACT: Silver clad
- TERMINAL: Silver plated

Slide

**SK-22D05-G 4 NS** DPDT NON-SHORTING 4MM KNOB

**SK-22D05-G 6 NS** DPDT NON-SHORTING 6MM KNOB



## Specifications

- CONTACT RATING: 0.3A @ 30 VDC
- INITIAL CONTACT RESISTANCE: 30 m ohms max.
- INSULATION RESISTANCE: 100 M ohms min.
- DIELECTRIC STRENGTH: 500 V AC (50-60 Hz) between open terminals and between the frame and terminal.
- OPERATING LIFE: 10,000 cycles with load
- OPERATING FORCE: 250 ± 100 gf (2.45 ± 0.98N)
- TRAVEL: 2 ± 0.3 mm
- OPERATING TEMPERATURE: -20°C to 70°C

## Materials

- KNOB: POM
- FRAME: SPCC
- CONTACT: Silver clad
- TERMINAL: Silver plated



15 Mar 22

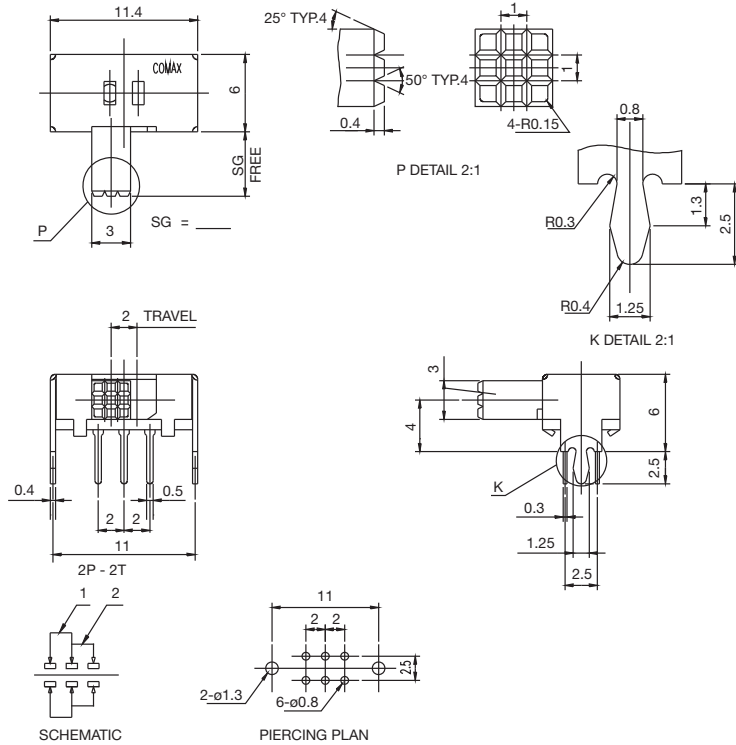
Dimensions are shown:mm  
Specifications and dimensions subject to change



# SK Series Miniature Slide Switches - Side Knob

**SK-22D06-SG 5 NS** DPDT NON-SHORTING 5MM

**SK-22D06-SG 6 NS** DPDT NON-SHORTING 6MM



## Specifications

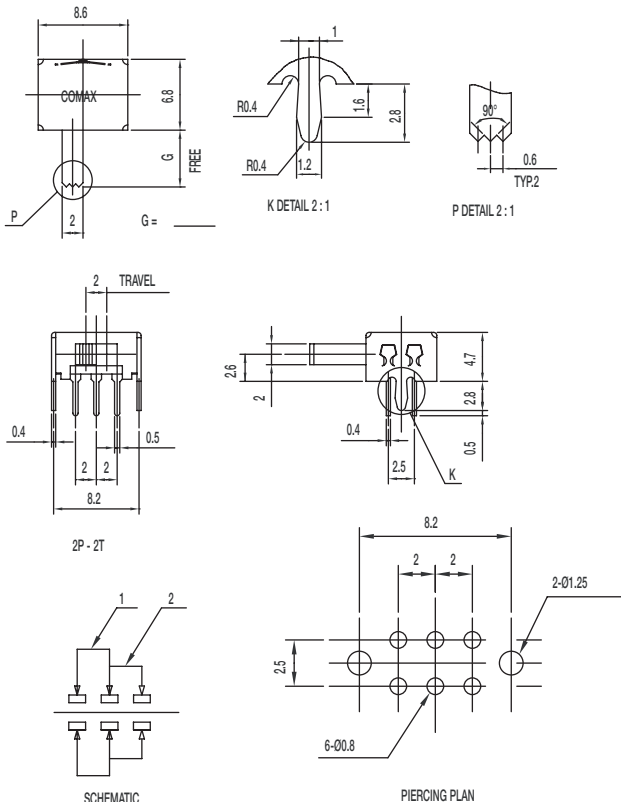
CONTACT RATING: 0.3A @ 30 VDC  
 INITIAL CONTACT RESISTANCE: 30 m ohms max.  
 INSULATION RESISTANCE: 100 M ohms min.  
 DIELECTRIC STRENGTH: 500 V AC (50-60 Hz) between open terminals and between the frame and terminal.  
 OPERATING LIFE: 10,000 cycles with load  
 OPERATING FORCE: 250 ± 100 gf (2.45 ± 0.98N)  
 TRAVEL: 2 ± 0.3 mm  
 OPERATING TEMPERATURE: -20°C to 70°C

## Materials

KNOB: POM  
 FRAME: SPCC  
 CONTACT: Silver clad  
 TERMINAL: Silver plated

**SK-22D07-G 4 NS PA** DPDT NON-SHORTING 4MM KNOB

**SK-22D07-VG 4 NS PA** DPDT NON-SHORTING 4MM KNOB (VG)



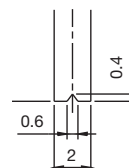
## Specifications

CONTACT RATING: 0.3A @ 30 VDC  
 INITIAL CONTACT RESISTANCE: 30 m ohms max.  
 INSULATION RESISTANCE: 100 M ohms min.  
 DIELECTRIC STRENGTH: 500 V AC (50-60 Hz) between open terminals and between the frame and terminal.  
 OPERATING LIFE: 10,000 cycles with load  
 OPERATING FORCE: 250 ± 100 gf (2.45 ± 0.98N)  
 TRAVEL: 2 ± 0.3 mm  
 OPERATING TEMPERATURE: -20°C to 70°C

## Materials

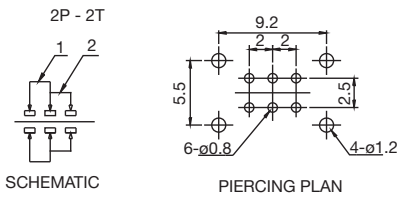
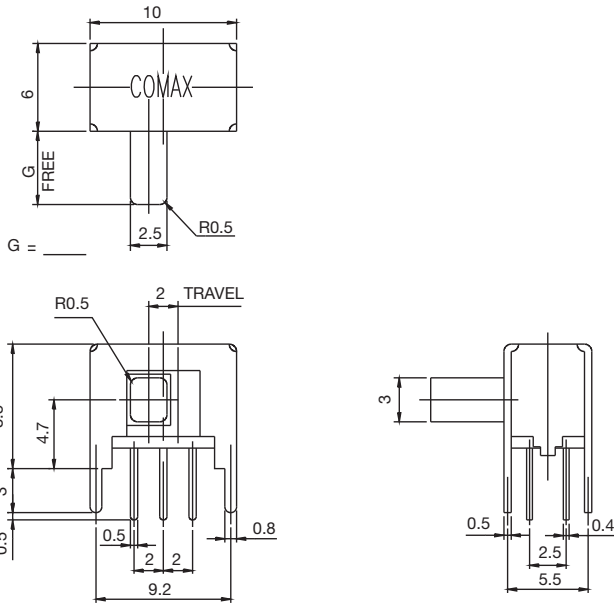
KNOB: PA (UL94V-0)  
 FRAME: SPCC  
 CONTACT: Silver clad  
 TERMINAL: Silver plated

## VG knob style



# SK Series Miniature Slide Switches - Side Knob

**SK-22D21-G 5 NS** DPDT NON-SHORTING 5MM KNOB



## Specifications

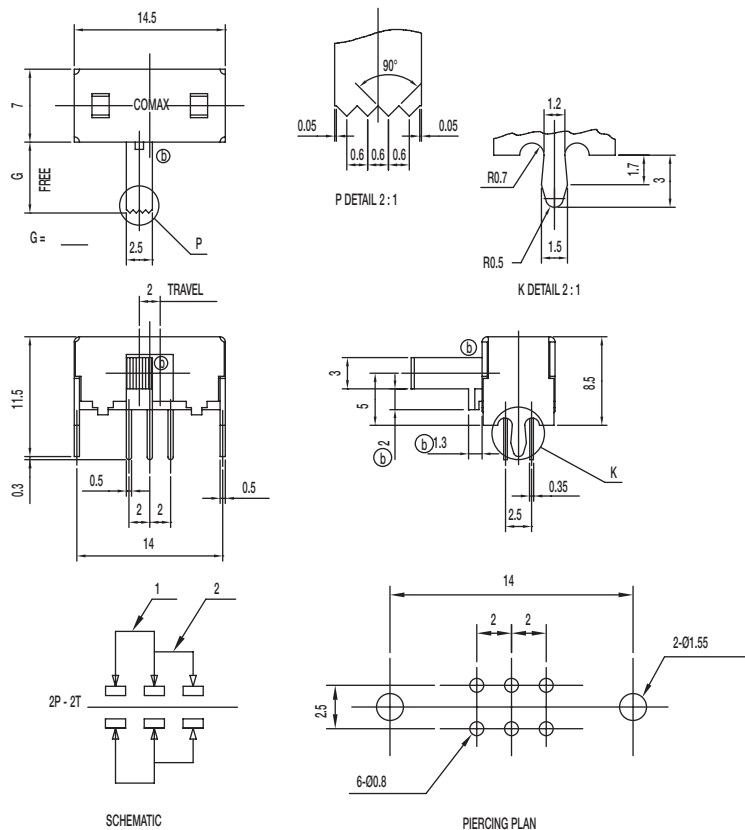
CONTACT RATING: 0.3A @ 30 VDC  
 INITIAL CONTACT RESISTANCE: 30 m ohms max.  
 INSULATION RESISTANCE: 100 M ohms min.  
 DIELECTRIC STRENGTH: 500 V AC (50-60 Hz) between open terminals and between the frame and terminal.  
 OPERATING LIFE: 10,000 cycles with load  
 OPERATING FORCE: 300 ± 150 gf (2.94 ± 1.47N)  
 TRAVEL: 2 ± 0.3 mm  
 OPERATING TEMPERATURE: -20°C to 70°C

## Materials

KNOB: POM  
 FRAME: SPCC  
 CONTACT: Silver clad  
 TERMINAL: Silver plated

Slide

**SK-22D28-G 6 NS** DPDT NON-SHORTING 6MM KNOB



## Specifications

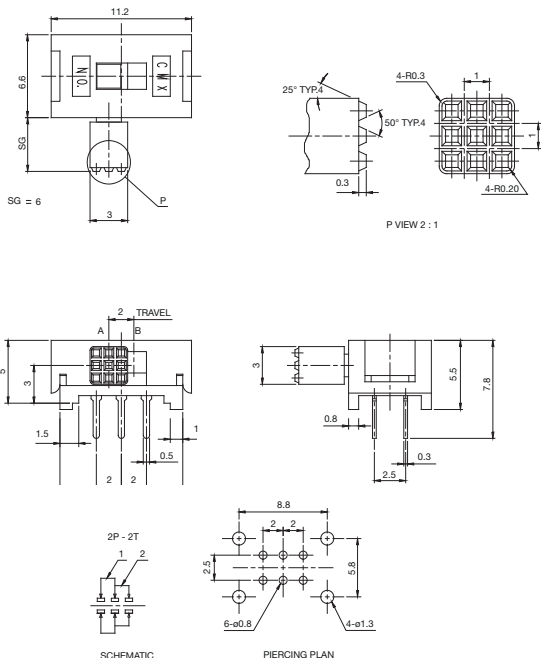
CONTACT RATING: 0.3A @ 30 VDC  
 INITIAL CONTACT RESISTANCE: 30 m ohms max.  
 INSULATION RESISTANCE: 100 M ohms min.  
 DIELECTRIC STRENGTH: 500 V AC (50-60 Hz) between open terminals and between the frame and terminal.  
 OPERATING LIFE: 10,000 cycles with load  
 OPERATING FORCE: 200 ± 100 gf (1.96 ± 0.98N)  
 TRAVEL: 2 ± 0.3 mm  
 OPERATING TEMPERATURE: -20°C to 70°C

## Materials

KNOB: POM  
 FRAME: SPCC  
 CONTACT: Silver clad  
 TERMINAL: Silver plated

# SK Series Miniature Slide Switches - Side Knob

**SK-22D37-SG 6 NS PA** DPDT NON-SHORTING 6MM KNOB



## Specifications

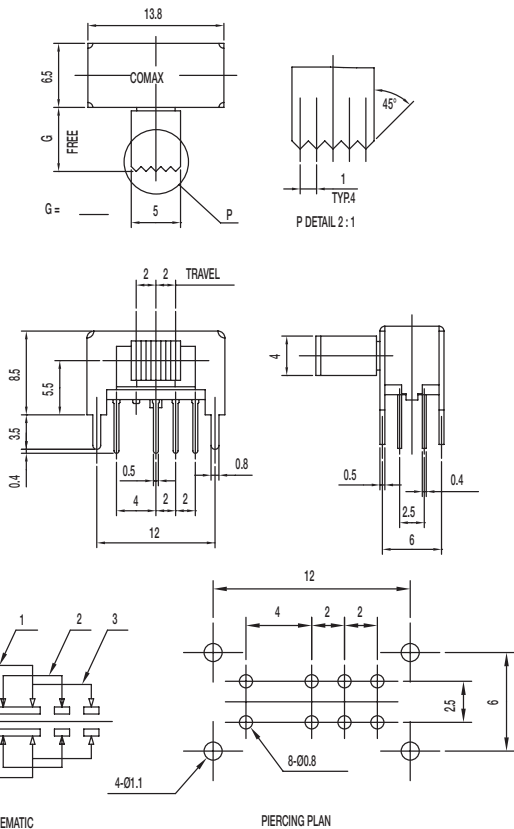
CONTACT RATING: 0.3A @ 30 VDC  
 INITIAL CONTACT RESISTANCE: 30 m ohms max.  
 INSULATION RESISTANCE: 100 M ohms min.  
 DIELECTRIC STRENGTH: 500 V AC (50-60 Hz) between open terminals and between the frame and terminal.  
 OPERATING LIFE: 10,000 cycles with load  
 OPERATING FORCE: 200 ± 100 gf (1.96 ± 0.98N)  
 TRAVEL: 2 ± 0.3 mm  
 OPERATING TEMPERATURE: -20°C to 70°C

## Materials

KNOB: PA  
 FRAME: SPCC  
 CONTACT: Silver clad  
 TERMINAL: Silver plated

**SK-23D04-G 9** 2P3T 9MM KNOB

**SK-23D04-G 12** 2P3T 12MM KNOB



## Specifications

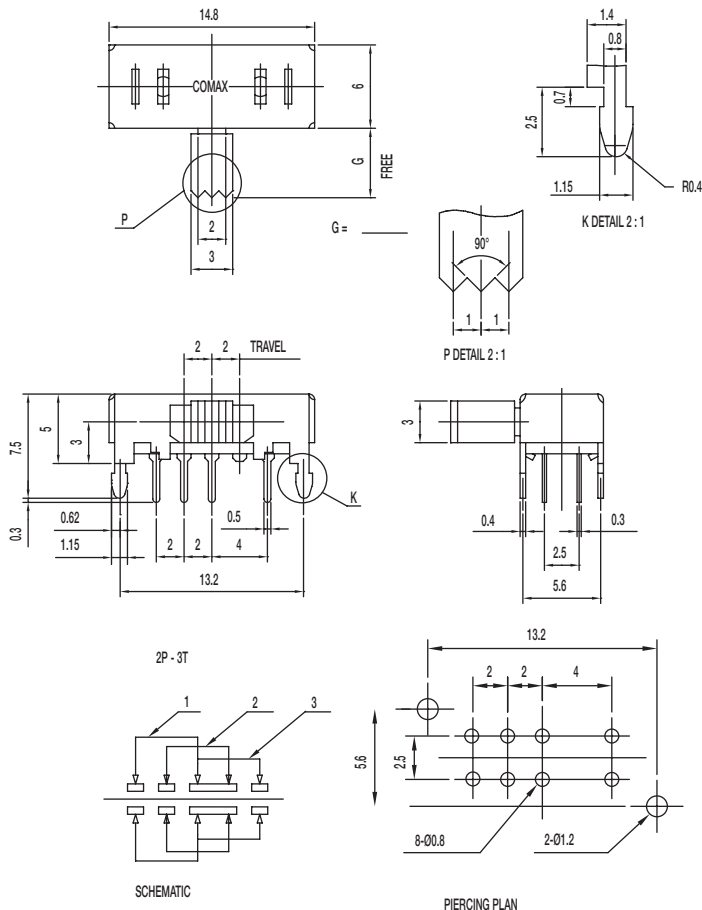
CONTACT RATING: 0.3A @ 30 VDC  
 INITIAL CONTACT RESISTANCE: 30 m ohms max.  
 INSULATION RESISTANCE: 100 M ohms min.  
 DIELECTRIC STRENGTH: 500 V AC (50-60 Hz) between open terminals and between the frame and terminal.  
 OPERATING LIFE: 10,000 cycles with load  
 OPERATING FORCE: 200 ± 100 gf (1.96 ± 0.98N)  
 300 ± 150 gf (2.94 ± 1.47N)  
 TRAVEL: 2 ± 0.3 mm  
 OPERATING TEMPERATURE: -20°C to 70°C

## Materials

KNOB: POM  
 FRAME: SPCC  
 CONTACT: Silver clad  
 TERMINAL: Silver plated

# SK Series Miniature Slide Switches - Side Knob

## SK-23D05-G 5 2P3T 5MM KNOB



### Specifications

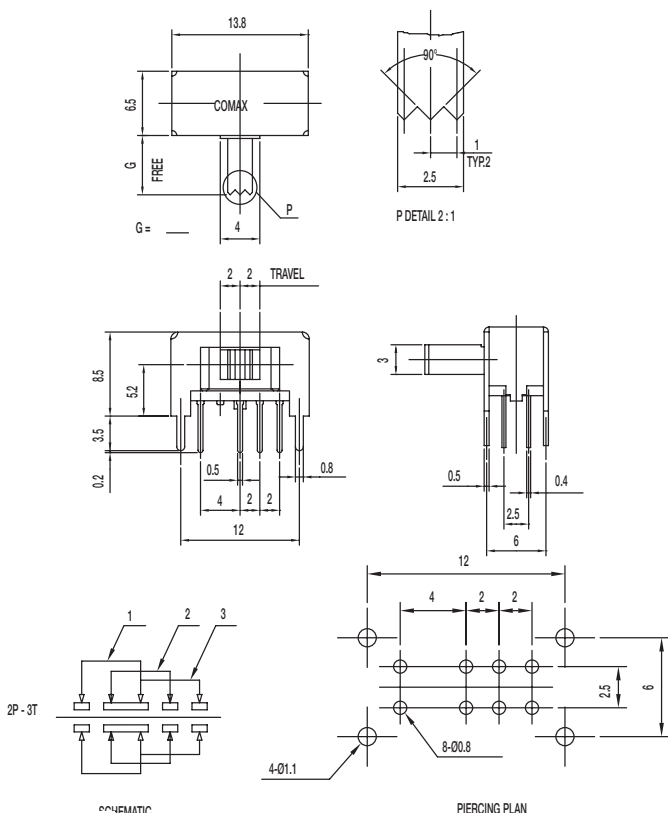
- CONTACT RATING: 0.3A @ 30 VDC
- INITIAL CONTACT RESISTANCE: 30 m ohms max.
- INSULATION RESISTANCE: 100 M ohms min.
- DIELECTRIC STRENGTH: 500 V AC (50-60 Hz) between open terminals and between the frame and terminal.
- OPERATING LIFE: 10,000 cycles with load
- OPERATING FORCE: 200 ± 100 gf (1.96 ± 0.98N)  
250 ± 100 gf (2.45 ± 0.98N)
- TRAVEL: 2 ± 0.3 mm
- OPERATING TEMPERATURE: -20°C to 70°C

### Materials

- KNOB: POM
- FRAME: SPCC
- CONTACT: Silver clad
- TERMINAL: Silver plated

## SK-23D24-G 4 2P3T 4MM KNOB

## SK-23D24-G 7 2P3T 7MM KNOB



### Specifications

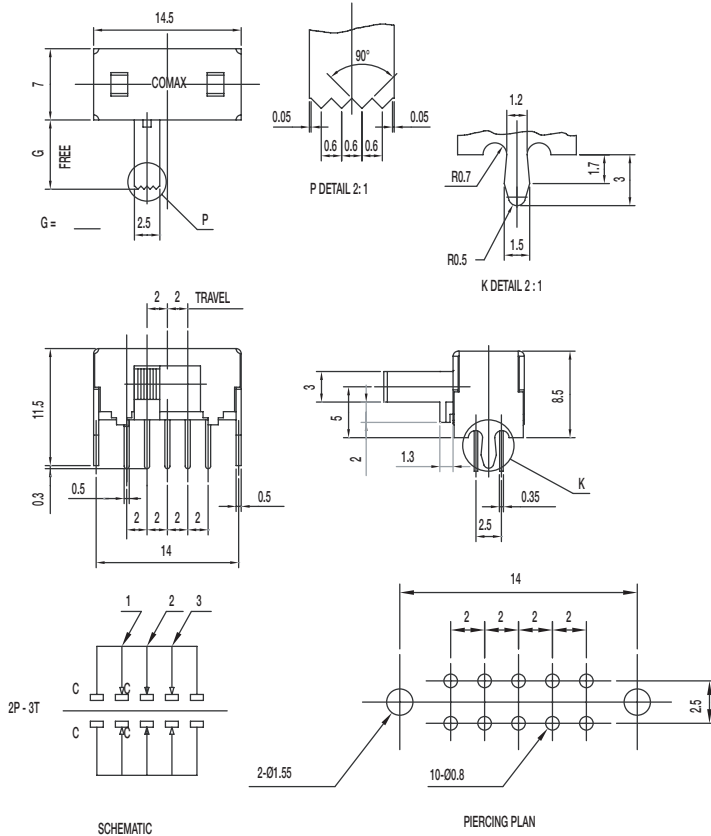
- CONTACT RATING: 0.3A @ 30 VDC
- INITIAL CONTACT RESISTANCE: 30 m ohms max.
- INSULATION RESISTANCE: 100 M ohms min.
- DIELECTRIC STRENGTH: 500 V AC (50-60 Hz) between open terminals and between the frame and terminal.
- OPERATING LIFE: 10,000 cycles with load
- OPERATING FORCE: 200 ± 100 gf (1.96 ± 0.98N)  
300 ± 150 gf (2.94 ± 1.47N)
- TRAVEL: 2 ± 0.3 mm
- OPERATING TEMPERATURE: -20°C to 70°C

### Materials

- KNOB: POM
- FRAME: SPCC
- CONTACT: Silver clad
- TERMINAL: Silver plated

# SK Series Miniature Slide Switches - Side Knob

## SK-23D28-G 6 NS 2P3T NON-SHORTING 6MM KNOB



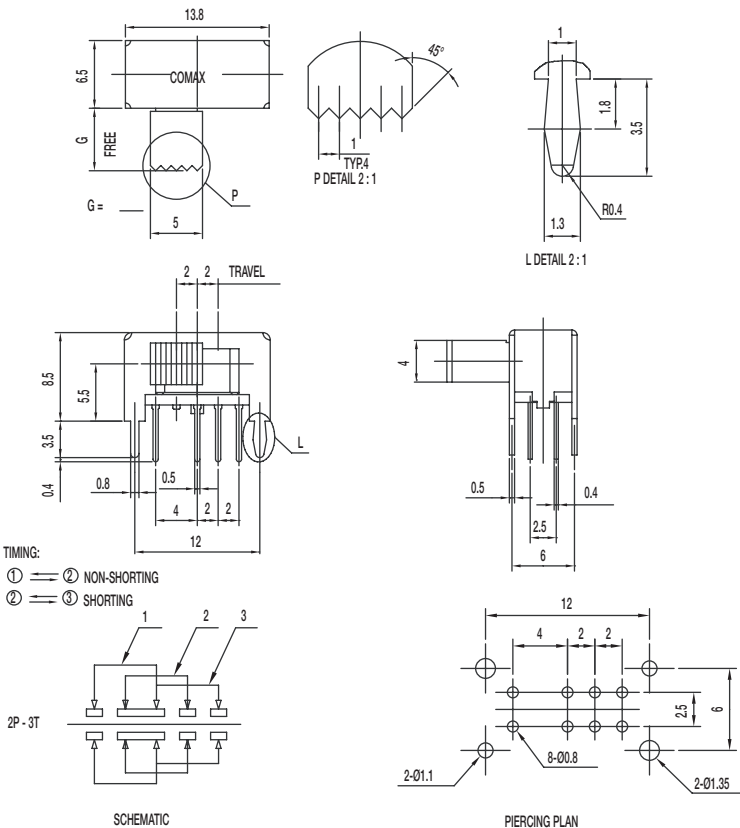
### Specifications

CONTACT RATING: 0.3A @ 30 VDC  
 INITIAL CONTACT RESISTANCE: 30 m ohms max.  
 INSULATION RESISTANCE: 100 M ohms min.  
 DIELECTRIC STRENGTH: 500 V AC (50-60 Hz) between open terminals and between the frame and terminal.  
 OPERATING LIFE: 10,000 cycles with load  
 OPERATING FORCE: 200 ± 100 gf (1.96 ± 0.98N)  
 300 ± 150 gf (2.94 ± 1.47N)  
 TRAVEL: 2 ± 0.3 mm  
 OPERATING TEMPERATURE: -20°C to 70°C

### Materials

KNOB: POM  
 FRAME: SPCC  
 CONTACT: Silver clad  
 TERMINAL: Silver plated

## SK-23D44-G 9 K 2P3T 9MM KNOB



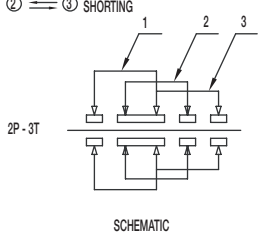
### Specifications

CONTACT RATING: 0.3A @ 30 VDC  
 INITIAL CONTACT RESISTANCE: 30 m ohms max.  
 INSULATION RESISTANCE: 100 M ohms min.  
 DIELECTRIC STRENGTH: 500 V AC (50-60 Hz) between open terminals and between the frame and terminal.  
 OPERATING LIFE: 10,000 cycles with load  
 OPERATING FORCE: 250 ± 150 gf (2.45 ± 1.47N)  
 300 ± 150 gf (2.94 ± 1.47N)  
 TRAVEL: 2 ± 0.3 mm  
 OPERATING TEMPERATURE: -20°C to 70°C

### Materials

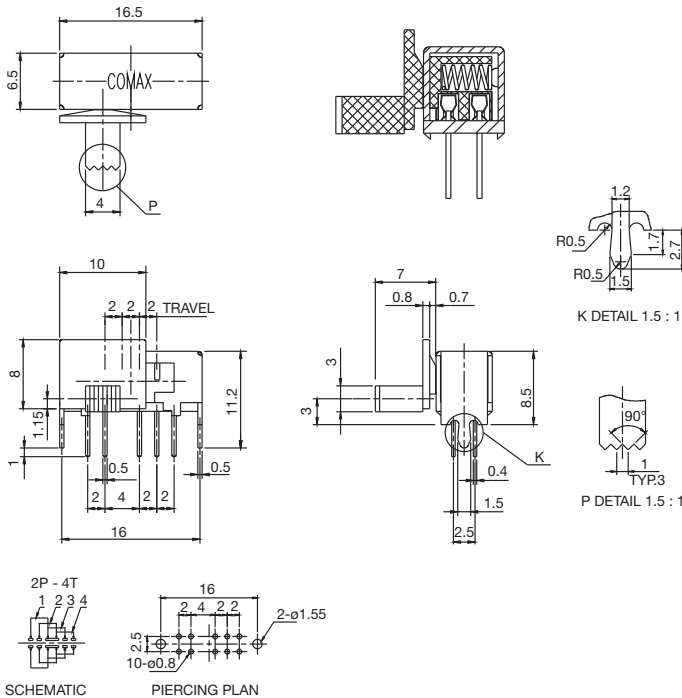
KNOB: POM  
 FRAME: SPCC  
 CONTACT: Silver clad  
 TERMINAL: Silver plated

TIMING:  
 ① — ② NON-SHORTING  
 ② — ③ SHORTING



# SK Series Miniature Slide Switches - Side Knob

## SK-24D24-CV 7 GY 2P3T 7MM KNOB



### Specifications

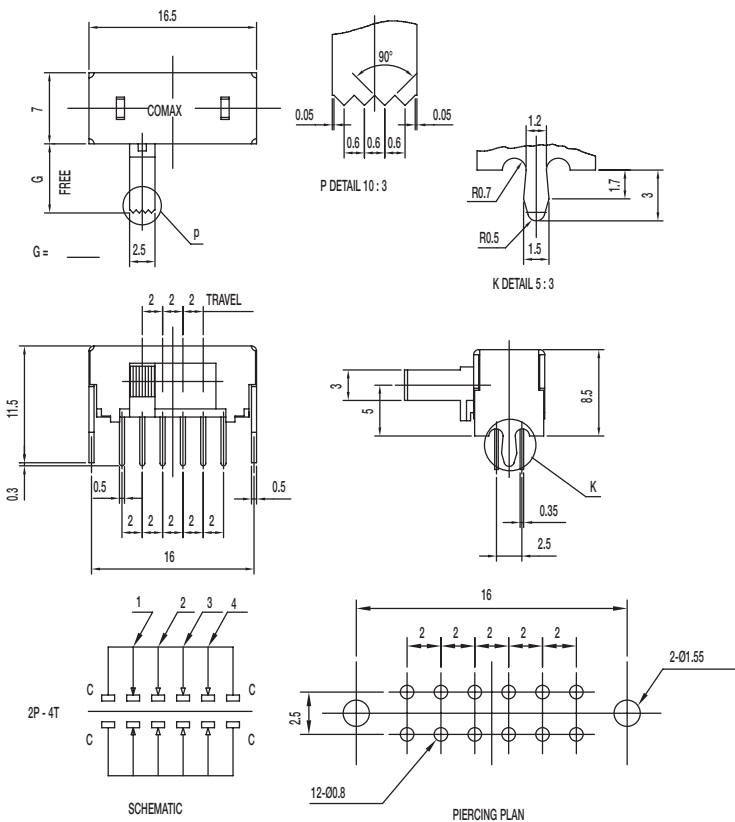
CONTACT RATING: 0.3A @ 30 VDC  
 INITIAL CONTACT RESISTANCE: 30 m ohms max.  
 INSULATION RESISTANCE: 100 M ohms min.  
 DIELECTRIC STRENGTH: 500 V AC (50-60 Hz) between open terminals and between the frame and terminal.  
 OPERATING LIFE: 10,000 cycles with load  
 OPERATING FORCE: 200 ± 100 gf (1.96 ± 0.98N)  
 250 ± 100 gf (2.45 ± 0.98N)  
 TRAVEL: 2 ± 0.3 mm  
 OPERATING TEMPERATURE: -20°C to 70°C

### Materials

KNOB: POM  
 FRAME: SPCC  
 CONTACT: Silver clad  
 TERMINAL: Silver plated

## SK-24D28-G 4 NS 2P4T NON-SHORTING 4MM KNOB

## SK-24D28-G 6 NS 2P4T NON-SHORTING 6MM KNOB



### Specifications

CONTACT RATING: 0.3A @ 30 VDC  
 INITIAL CONTACT RESISTANCE: 30 m ohms max.  
 INSULATION RESISTANCE: 100 M ohms min.  
 DIELECTRIC STRENGTH: 500 V AC (50-60 Hz) between open terminals and between the frame and terminal.  
 OPERATING LIFE: 10,000 cycles with load  
 OPERATING FORCE: 200 ± 100 gf (1.96 ± 0.98N)  
 250 ± 100 gf (2.45 ± 0.98N); 300 ± 150 gf (2.94 ± 1.47N)  
 TRAVEL: 2 ± 0.3 mm  
 OPERATING TEMPERATURE: -20°C to 70°C

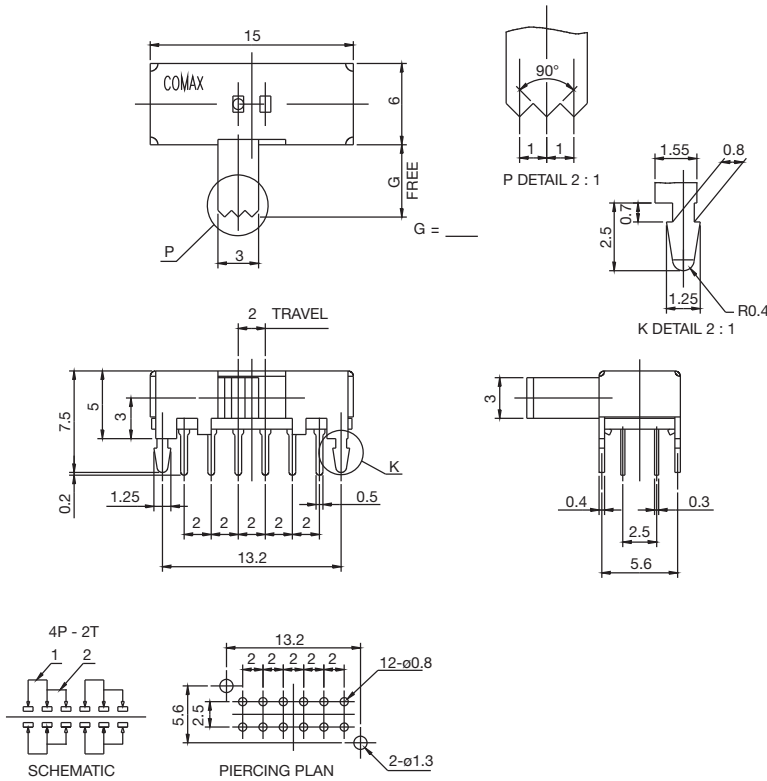
### Materials

KNOB: POM  
 FRAME: SPCC  
 CONTACT: Silver clad  
 TERMINAL: Silver plated



# SK Series Miniature Slide Switches - Side Knob

## SK-42D05-G 6 NS 4P2T NON-SHORTING 6MM KNOB



### Specifications

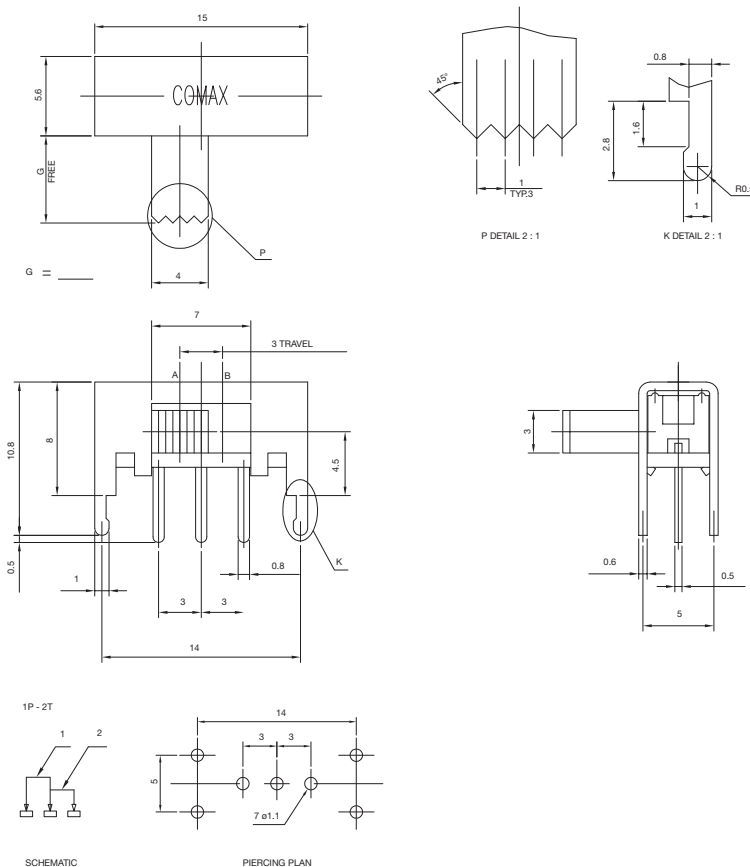
- CONTACT RATING: 0.3A @ 30 VDC
- INITIAL CONTACT RESISTANCE: 30 m ohms max.
- INSULATION RESISTANCE: 100 M ohms min.
- DIELECTRIC STRENGTH: 500 V AC (50-60 Hz) between open terminals and between the frame and terminal.
- OPERATING LIFE: 10,000 cycles with load
- OPERATING FORCE: 250 ± 100 gf (2.45 ± 0.98N)
- TRAVEL: 2 ± 0.3 mm
- OPERATING TEMPERATURE: -20°C to 70°C

### Materials

- KNOB: POM
- FRAME: SPCC
- CONTACT: Silver clad
- TERMINAL: Silver plated

## 3MM TRAVEL

## SK-12F17-G 7 1P2T NON-SHORTING 7MM KNOB



### Specifications

- CONTACT RATING: 0.3A @ 30 VDC
- INITIAL CONTACT RESISTANCE: 30 m ohms max.
- INSULATION RESISTANCE: 100 M ohms min.
- DIELECTRIC STRENGTH: 500 V AC (50-60 Hz) between open terminals and between the frame and terminal.
- OPERATING LIFE: 10,000 cycles with load
- OPERATING FORCE: 250 ± 100 gf (2.45 ± 0.98N)
- TRAVEL: 3 ± 0.3 mm
- OPERATING TEMPERATURE: -20°C to 70°C

### Materials

- KNOB: PBT
- FRAME: SPCC
- CONTACT: Silver clad
- TERMINAL: Silver plated



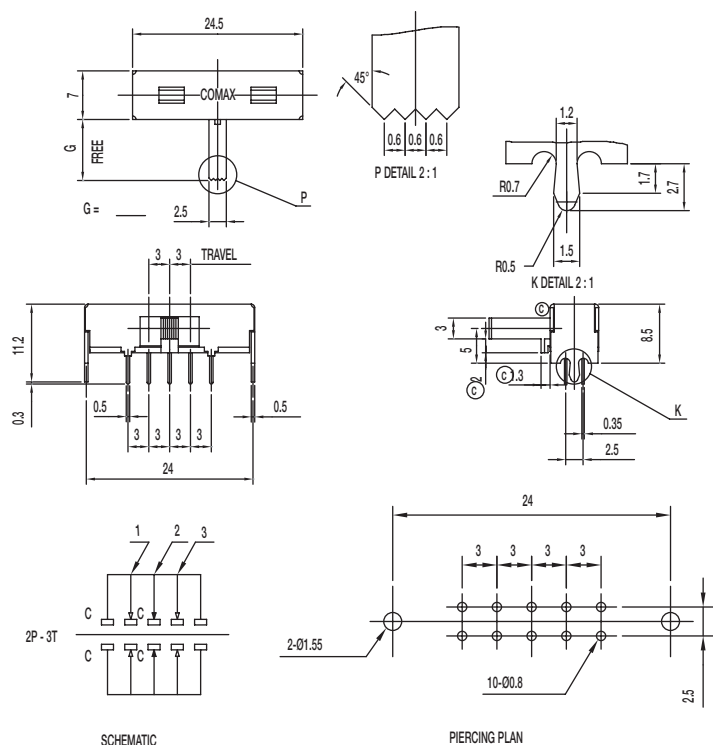
15 Mar 22

Dimensions are shown: mm  
Specifications and dimensions subject to change

Slide

# SK Series Miniature Slide Switches - Side Knob

## SK-23F28-G 6 NS 2P3T NON-SHORTING 6MM KNOB



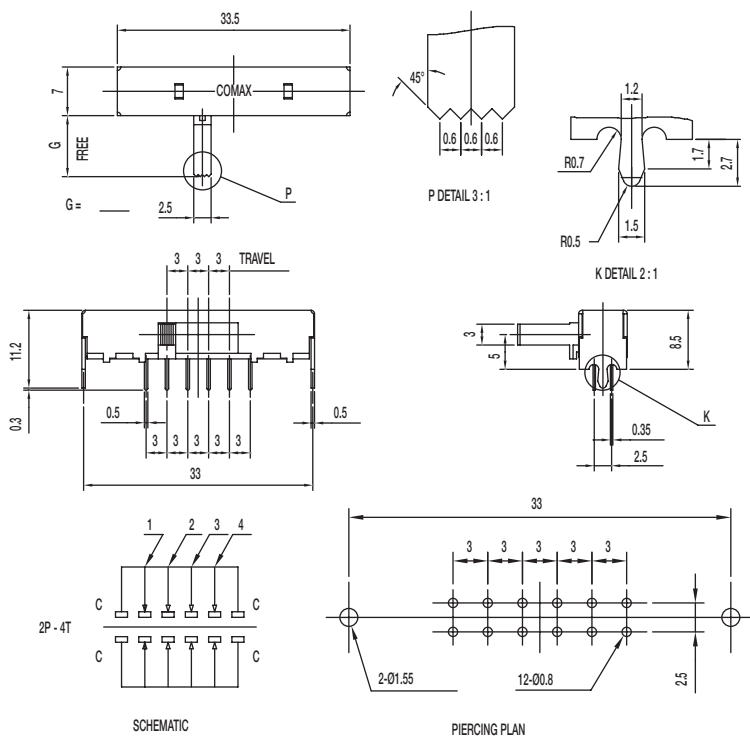
### Specifications

- CONTACT RATING: 0.3A @ 30 VDC
- INITIAL CONTACT RESISTANCE: 30 m ohms max.
- INSULATION RESISTANCE: 100 M ohms min.
- DIELECTRIC STRENGTH: 500 V AC (50-60 Hz) between open terminals and between the frame and terminal.
- OPERATING LIFE: 10,000 cycles with load
- OPERATING FORCE: 150 ± 80 gf (1.47 ± 0.78N)  
200 ± 100 gf (1.96 ± 0.98N)
- TRAVEL: 3 ± 0.3 mm
- OPERATING TEMPERATURE: -20°C to 70°C

### Materials

- KNOB: POM
- FRAME: SPCC
- CONTACT: Silver clad
- TERMINAL: Silver plated

## SK-24F28-G 6 NS 2P4T NON-SHORTING 6MM KNOB



### Specifications

- CONTACT RATING: 0.3A @ 30 VDC
- INITIAL CONTACT RESISTANCE: 30 m ohms max.
- INSULATION RESISTANCE: 100 M ohms min.
- DIELECTRIC STRENGTH: 500 V AC (50-60 Hz) between open terminals and between the frame and terminal.
- OPERATING LIFE: 10,000 cycles with load
- OPERATING FORCE: 200 ± 100 gf (1.96 ± 0.98N)  
250 ± 100 gf (2.45 ± 0.98N)
- TRAVEL: 3 ± 0.3 mm
- OPERATING TEMPERATURE: -20°C to 70°C

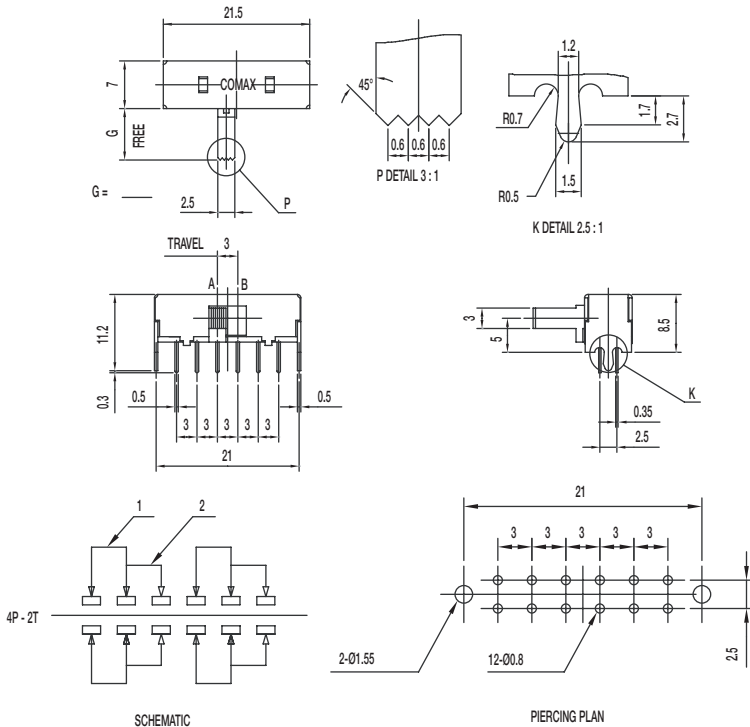
### Materials

- KNOB: POM
- FRAME: SPCC
- CONTACT: Silver clad
- TERMINAL: Silver plated



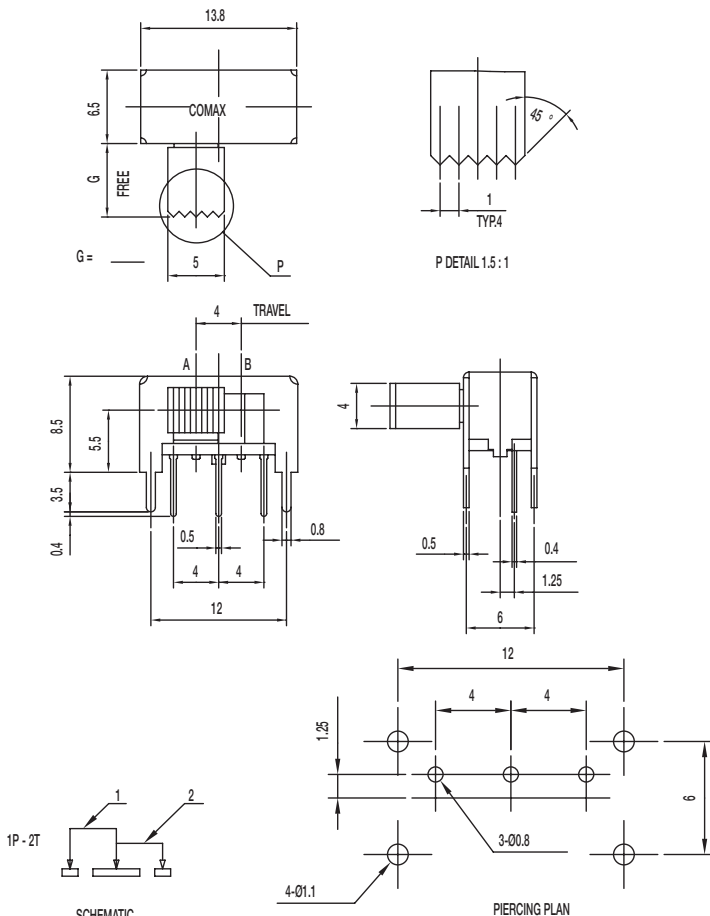
# SK Series Miniature Slide Switches - Side Knob

## SK-42F28-G 6 NS 2P4T NON-SHORTING 6MM KNOB



### 4MM TRAVEL

## SK-12H04-G 6 NS PA 1P2T NON-SHORTING 6MM KNOB



### Specifications

CONTACT RATING: 0.3A @ 30 VDC  
 INITIAL CONTACT RESISTANCE: 30 m ohms max.  
 INSULATION RESISTANCE: 100 M ohms min.  
 DIELECTRIC STRENGTH: 500 V AC (50-60 Hz) between open terminals and between the frame and terminal.  
 OPERATING LIFE: 10,000 cycles with load  
 OPERATING FORCE: 200 ± 100 gf (1.96 ± 0.98N)  
 250 ± 100 gf (2.45 ± 0.98N)  
 TRAVEL: 3 ± 0.3 mm  
 OPERATING TEMPERATURE: -20°C to 70°C

### Materials

KNOB: POM  
 FRAME: SPCC  
 CONTACT: Silver clad  
 TERMINAL: Silver plated

### Specifications

CONTACT RATING: 0.3A @ 30 VDC  
 INITIAL CONTACT RESISTANCE: 30 m ohms max.  
 INSULATION RESISTANCE: 100 M ohms min.  
 DIELECTRIC STRENGTH: 500 V AC (50-60 Hz) between open terminals and between the frame and terminal.  
 OPERATING LIFE: 10,000 cycles with load  
 OPERATING FORCE: 250 ± 100 gf (2.45 ± 0.98N)  
 TRAVEL: 4 ± 0.3 mm  
 OPERATING TEMPERATURE: -20°C to 70°C

### Materials

KNOB: PA  
 FRAME: SPCC  
 CONTACT: Silver clad  
 TERMINAL: Silver plated



15 Mar 22

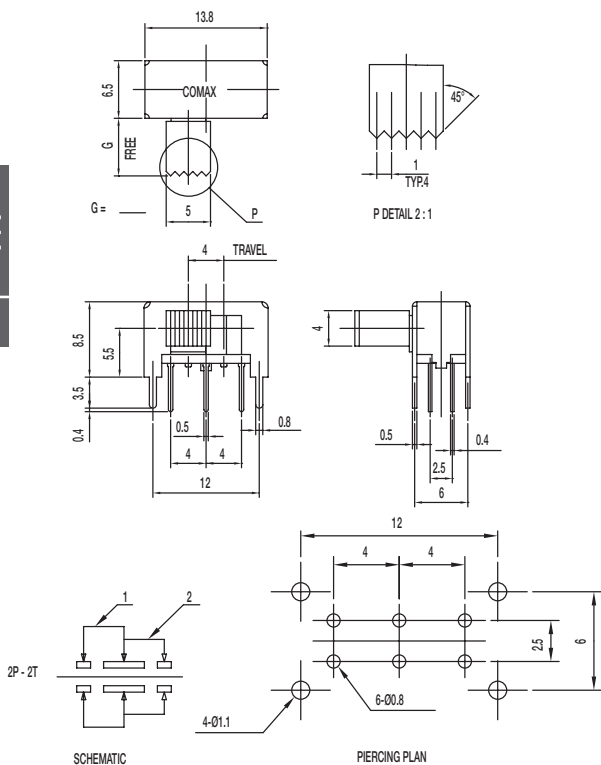
Dimensions are shown: mm  
 Specifications and dimensions subject to change

# SK Series Miniature Slide Switches - Side Knob

**SK-22H04-G 7 NS** DPDT NON-SHORTING 7MM KNOB

**SK-22H04-G 9 NS** DPDT NON-SHORTING 9MM KNOB

**SK-22H04-G 12 NS** DPDT NON-SHORTING 12MM KNOB



## Specifications

CONTACT RATING: 0.3A @ 30 VDC

INITIAL CONTACT RESISTANCE: 30 m ohms max.

INSULATION RESISTANCE: 100 M ohms min.

DIELECTRIC STRENGTH: 500 V AC (50-60 Hz) between open terminals and between the frame and terminal.

OPERATING LIFE: 10,000 cycles with load

OPERATING FORCE: 250 ± 100 gf (2.45 ± 0.98N)

TRAVEL: 4 ± 0.3 mm

OPERATING TEMPERATURE: -20°C to 70°C

## Materials

KNOB: POM

FRAME: SPCC

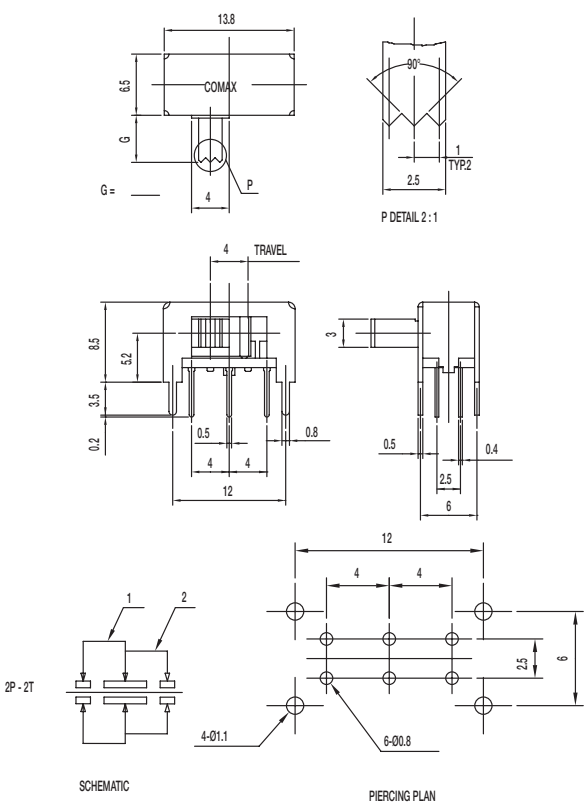
CONTACT: Silver clad

TERMINAL: Silver plated

**SK-22H24-G 4 NS** DPDT NON-SHORTING 4MM KNOB

**SK-22H24-G 5 NS** DPDT NON-SHORTING 5MM KNOB

**SK-22H24-G 6 NS** DPDT NON-SHORTING 6MM KNOB



## Specifications

CONTACT RATING: 0.3A @ 30 VDC

INITIAL CONTACT RESISTANCE: 30 m ohms max.

INSULATION RESISTANCE: 100 M ohms min.

DIELECTRIC STRENGTH: 500 V AC (50-60 Hz) between open terminals and between the frame and terminal.

OPERATING LIFE: 10,000 cycles with load

OPERATING FORCE: 250 ± 100 gf (2.45 ± 0.98N)

TRAVEL: 4 ± 0.3 mm

OPERATING TEMPERATURE: -20°C to 70°C

## Materials

KNOB: POM

FRAME: SPCC

CONTACT: Silver clad

TERMINAL: Silver plated