

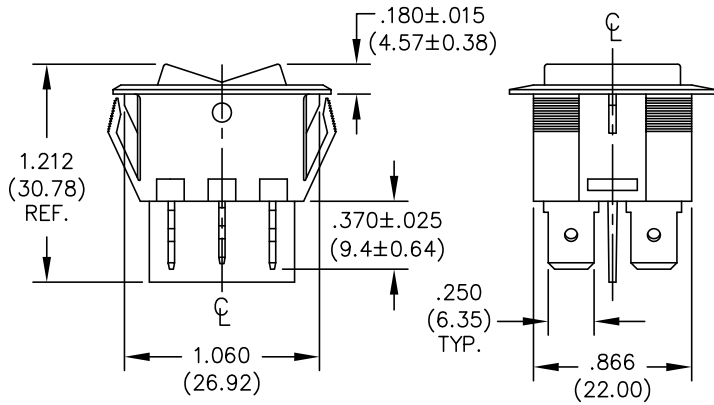
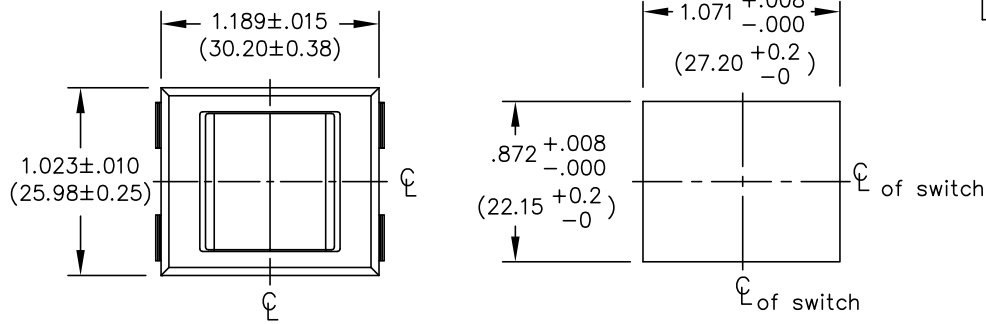
THIS INFORMATION IS CONFIDENTIAL AND PROPRIETARY TO CW INDUSTRIES INCORPORATED AND ITS AFFILIATES. IT MAY NOT BE DISCLOSED TO ANYONE, OTHER THAN CW INDUSTRIES PERSONNEL, WITHOUT WRITTEN AUTHORIZATION FROM CW INDUSTRIES INCORPORATED, SOUTHAMPTON, PENNSYLVANIA USA.

DIMENSIONS IN INCHES (MILLIMETERS)
DO NOT SCALE DRAWING

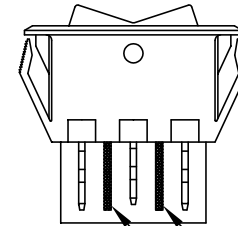
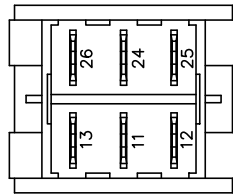
Dwg. No.
GR-2023A-XXXX

PANEL THICKNESS
.025" to .150"
(0.64mm to 3.81mm)

PANEL PIERCING



BOTTOM VIEW



INSULATING BARRIERS BETWEEN TERMINALS
OPTIONAL

B-FORMAT 2002

REVISIONS

1 2 3 4 5 6 7 8 9 10

CW INDUSTRIES
Southampton, Pa. 18966

| TOLERANCES UNLESS OTHERWISE SPECIFIED | |
|---------------------------------------|---------------------|
| 2 Place Decimal ±.010 | METRIC |
| 3 Place Decimal ±.005 | 1 Place Dec. ±.25mm |
| Angles ±1° | 2 Place Dec. ±.13mm |

Made for: CW IND.
 Drawn by: DGW 8-03-2010
 Checked by:
 Approval:

Title: PANEL MOUNT
ROCKER SWITCH
D.P.- D.T.- C.O.
(ON-OFF-ON) W/OPTIONS

Division: SWITCH

Dwg. No.
GR-2023A-XXXX