

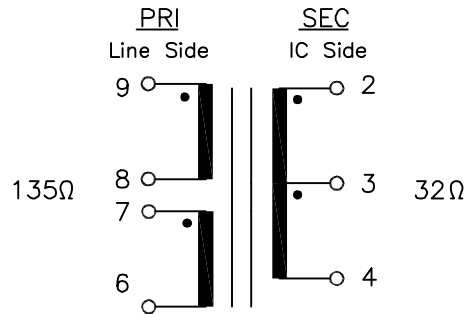
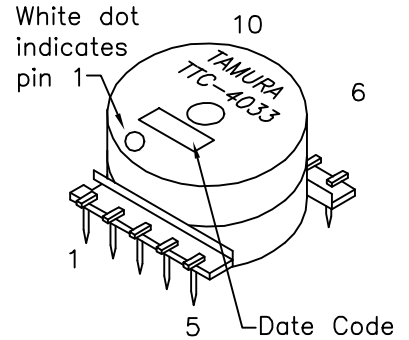
REV. Status

PRELIMINARY
02/23/00 MP

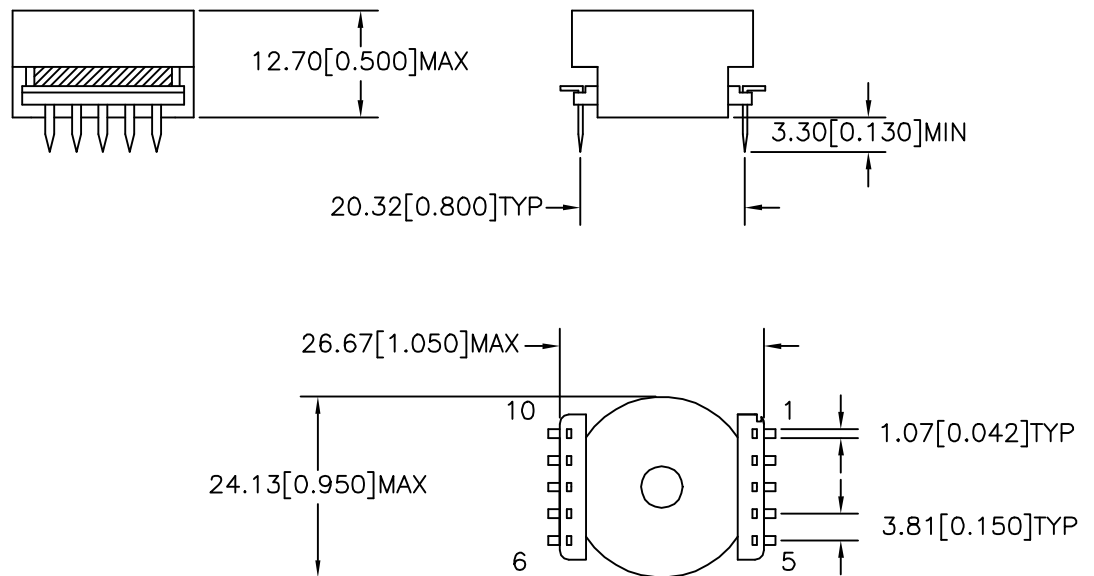
HDSL transformer designed for use with Brooktree BT8960 chipset at 416Kbps rates

- A. Electrical Specifications (@ 25°C)
1. Primary (Line side) Impedance; 135Ω
 2. Secondary (IC side) Impedance; 32Ω
 3. Longitudinal Balance; 55dB TYP @ 104KHz, 0dBm
 4. Return Loss; 16.5dB MIN @ 40KHz to 320KHz
 5. Total Harmonic Distortion; -70dB TYP @ 104KHz, 6.0Vp-p
 6. Primary Open Circuit Inductance; 3.5mH ±10% @ 10KHz, 0.1Vrms
Measured (9-6) with 8 and 7 shorted
 7. Leakage Inductance; 12μH MAX @ 100KHz, 0.1Vrms
Measured (9-6) with 8 & 7, and 4 & 2 shorted
 8. DC Current; 70mA
 9. DC Resistance;
(2-4) = 2.2Ω MAX
(6-7) = 2.2Ω MAX
(8-9) = 2.2Ω MAX
 10. Turns Ratio; (7-6):(9-8)=1:1.00±2%
(2-4):(9-6)=1:2.00±2%
7 & 8 shorted
 11. Dielectric Strength; 1875Vrms 1 second @ Pri to Sec
- B. Marking; TTC-4033, TAMURA, date code and country of origin
- C. Safety: Complies with UL1950
- D. Schematic

MODEL NUMBER
TTC-4033



E. Mechanical Specifications



PREPARED BY:

D. Rund

ENGINEER:

M. Pitchai

QUALITY CONTROL:

D. Kelley

APPROVED:

J. Coleman

DWG CONTROL NO.
P-A1-12365
ACAD\TTC\A1123651.DWG

REV
PRE

HDSL
TRANSFORMER

TAMURA CORPORATION OF AMERICA
43352 BUSINESS PARK DRIVE, TEMECULA, CA. 92590-6624
(909) 699-1270 FAX 9096769482

TTC-4033

MODEL SPECIFICATION

DIM: mm(in) SCL: 2/1 SH: 1 OF 1

PROPRIETARY NOTICE: THIS DRAWING PRINT OR DOCUMENT AND SUBJECT MATTER DISCLOSED HEREIN ARE PROPRIETARY ITEMS TO WHICH TAMURA RETAINS THE EXCLUSIVE RIGHT OF DISSEMINATION, REPRODUCTION, MANUFACTURE AND SALE. THIS DRAWING, PRINT OR DOCUMENT IS SUBMITTED IN CONFIDENCE FOR CONSIDERATION BY THE RECIPIENT ALONE UNLESS PERMISSION FOR FURTHER DISCLOSURE IS EXPRESSLY GRANTED IN WRITING.