

## SICR101200 / SICRB101200 / SICRD101200 / SICRF101200 1200V SiC POWER SCHOTTKY RECTIFIER

### Description

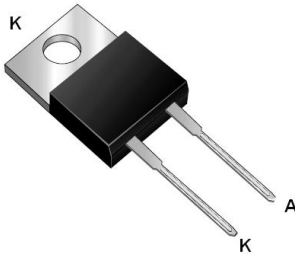
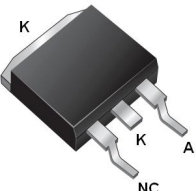



SICR101200/ SICRB101200/ SICRD101200/ SICRF101200 are all single SiC Schottky rectifiers packaged in TO-220AC, D2PAK, DPAK and ITO-220AC case. The device is a high voltage Schottky rectifier that has very low total conduction losses and very stable switching characteristics over temperature extremes. The SICR101200/ SICRB101200/ SICRD101200/ SICRF101200 are ideal for energy sensitive, high frequency applications in challenging environments.

### Applications

- Alternative energy inverters
- Power Factor Correction (PFC)
- Free-Wheeling diodes
- Switching supply output rectification
- Reverse polarity protection

### Features

- 175°C T<sub>J</sub> operation
- Ultra-low switching loss
- Switching speeds independent of operating temperature
- Low total conduction losses
- High forward surge current capability
- High package isolation voltage
- Guard ring for enhanced ruggedness and long term reliability
- Pb - Free Device
- All SMC parts are traceable to the wafer lot
- Additional electrical and life testing can be performed upon request

SICR101200	SICRB101200	SICRD101200	SICRF101200
			
TO-220AC	D <sup>2</sup> PAK	DPAK	ITO-220AC
			

### Maximum Ratings:

Characteristics	Symbol	Condition	Max.	Units
Peak Repetitive Reverse Voltage Working Peak Reverse Voltage DC Blocking Voltage	V <sub>RRM</sub> V <sub>RWM</sub> V <sub>R</sub>	-	1200	V
Average Rectified Forward Current	I <sub>F(AV)</sub>	50% duty cycle @T <sub>c</sub> =150°C, rectangular wave form	10	A
Peak One Cycle Non-Repetitive Surge Current	I <sub>FSM</sub>	8.3ms, Half Sine pulse	110	A

### Electrical Characteristics:

Characteristics	Symbol	Condition	Typ.	Max.	Units
Forward Voltage Drop*	$V_{F1}$	@ 10A, Pulse, $T_J = 25\text{ }^\circ\text{C}$	1.5	1.8	V
	$V_{F2}$	@ 10A, Pulse, $T_J = 175\text{ }^\circ\text{C}$	20	2.5	V
Reverse Current at DC condition*	$I_{R1}$	@ $V_R = \text{rated } V_R$ $T_J = 25\text{ }^\circ\text{C}$	1	100	$\mu\text{A}$
Reverse Current *	$I_{R2}$	@ $V_R = \text{rated } V_R$ $T_J = 175\text{ }^\circ\text{C}$	10	200	$\mu\text{A}$
Junction Capacitance	$C_T$	$V_R=0\text{V}, T_J=25\text{ }^\circ\text{C}, f=1\text{MHz}$	640	-	pF
		$V_R=400\text{V}, T_J=25\text{ }^\circ\text{C}, f=1\text{MHz}$	61		
		$V_R=800\text{V}, T_J=25\text{ }^\circ\text{C}, f=1\text{MHz}$	52		
Reverse Recovery Charge	$Q_C$	$I_F = 10\text{A}, di_F/dt = -300\text{A}/\mu\text{s}$ $V_R = 400\text{V}, T_J = 150\text{ }^\circ\text{C}$	38	-	nC
Voltage Rate of Change	$dv/dt$	-	-	10,000	V/ $\mu\text{s}$

### Thermal-Mechanical Specifications:

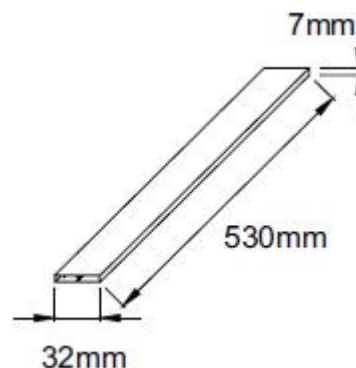
Characteristics	Symbol	SICR101200	SICRB101200	SICRD101200	SICRF101200	Units
Junction Temperature	$T_J$	-55 to +175				$^\circ\text{C}$
Storage Temperature	$T_{stg}$	-55 to +175				$^\circ\text{C}$
Maximum Thermal Resistance Junction to Case	$R_{\theta JC}$	2.4	2.4	2.4	4.2	$^\circ\text{C}/\text{W}$

### Ordering Information

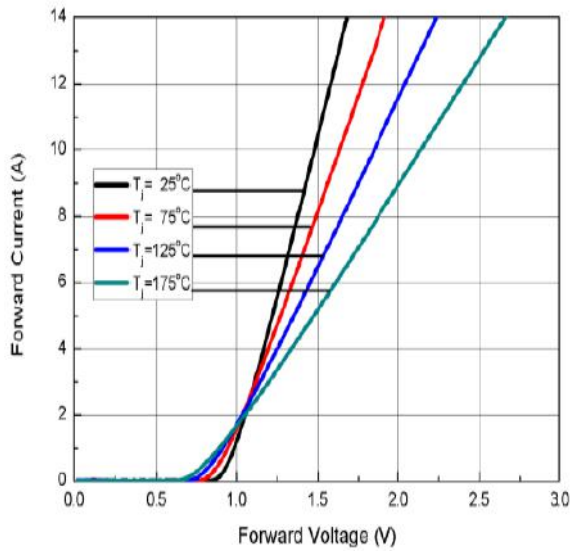
Device	Package	Weight	Shipping
SICR101200	TO-220AC	1.8g	50pcs / tube
SICRB101200	D <sup>2</sup> PAK	1.85g	800pcs / reel
SICRD101200	DPAK	0.39g	2500pcs / reel
SICRF101200	ITO-220AC	1.8g	50pcs / tube

For information on tape and reel specifications, including part orientation and tape sizes, please refer to our tape and reel packaging specification.

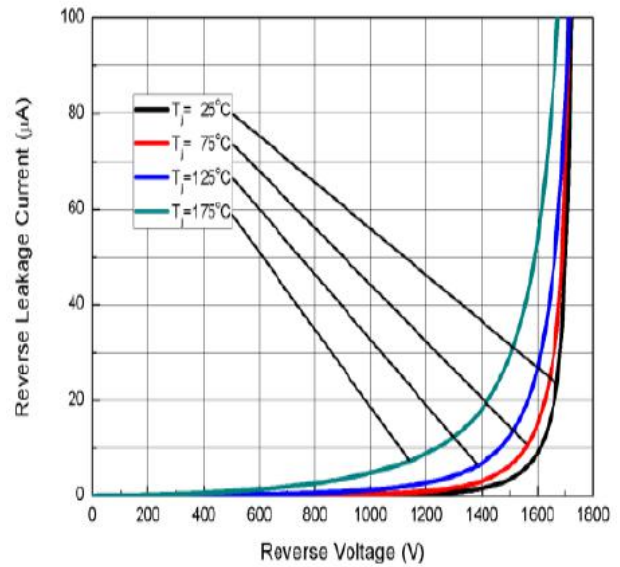
### Tube Specification(TO-220AC/ITO-220AC)



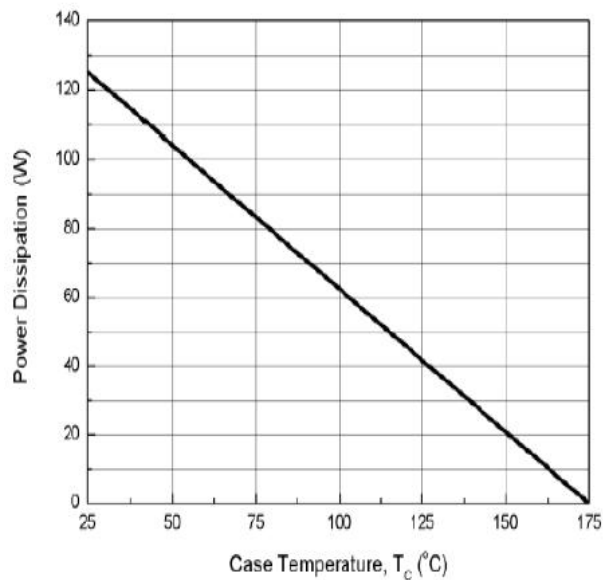
**Ratings and Characteristics Curves**



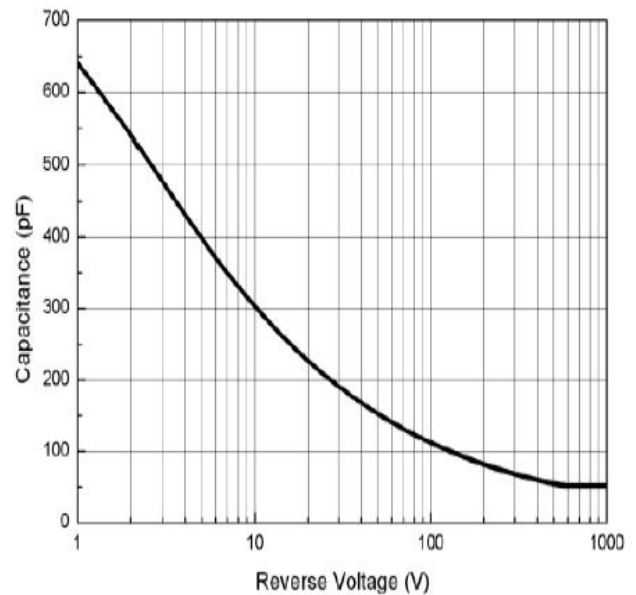
**Fig.1-Typical Forward Voltage Characteristics**



**Fig.2-Typical Reverse Characteristics**

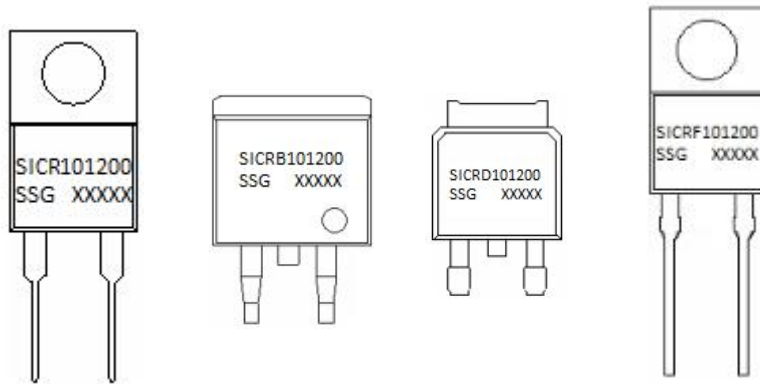


**Fig.3-Forward Current Derating Curve**



**Fig.4-Typical Junction Capacitance**

## Marking Diagram

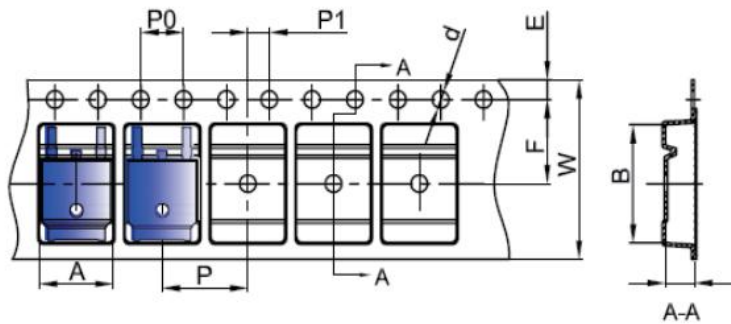


Where XXXXX is YYWWL

SICR = Device Type  
B/D/F = Package type  
10 = Forward Current (10A)  
1200 = Reverse Voltage (1200V)  
SSG = SSG  
YY = Year  
WW = Week  
L = Lot Number

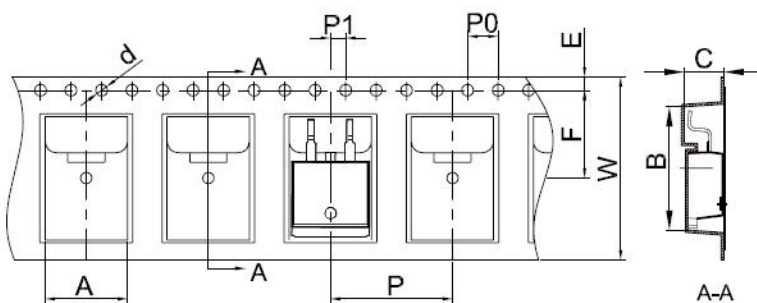
**Cautions:** Molding resin  
Epoxy resin UL:94V-0

## Carrier Tape Specification DPAK



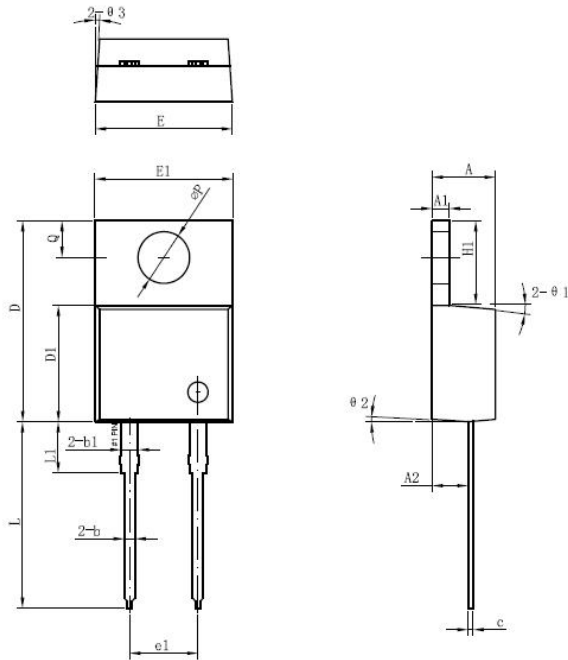
SYMBOL	Millimeters	
	Min.	Max.
A	6.80	7.00
B	10.40	10.60
C	2.60	2.80
d	Φ1.45	Φ1.65
E	1.65	1.85
F	7.40	7.60
P0	3.90	4.10
P	7.90	8.10
P1	1.90	2.10
W	15.90	16.30

## Carrier Tape & Reel Specification D<sup>2</sup>PAK



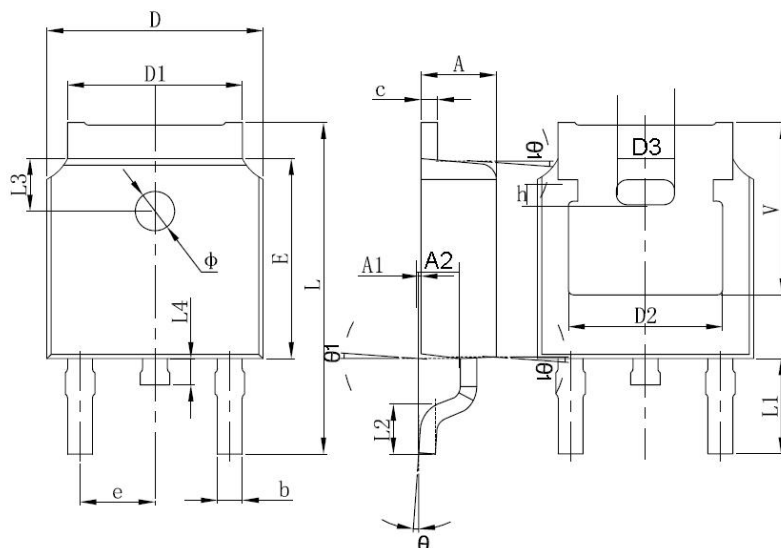
SYMBOL	Millimeters	
	Min.	Max.
A	10.70	10.90
B	16.03	16.23
C	5.11	5.31
d	1.45	1.65
E	1.65	1.85
F	11.40	11.60
P0	3.90	4.10
P	15.90	16.10
P1	1.90	2.10
W	23.90	24.30

### Mechanical Dimensions TO-220AC



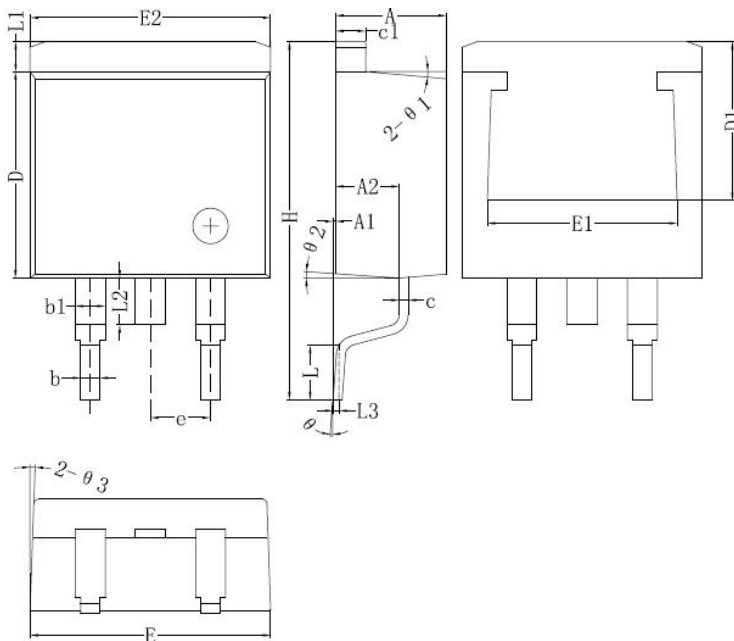
Symbol	Dimensions in millimeters		
	Min.	Typical	Max.
A	4.47	4.70	4.85
A1	1.17	1.27	1.37
A2	2.52	2.69	2.89
b	0.71	0.81	0.96
b1	1.17	1.27	1.37
c	0.31	0.38	0.61
D	14.64	14.94	15.24
D1	8.50	8.07	8.90
E	10.01	10.16	10.31
E1	9.98	10.18	10.38
e1	4.98	5.08	5.18
H1	6.04	6.24	6.44
L	13.00	13.86	14.08
L1	3.56	3.80	3.96
$\Phi P$	3.74	3.84	4.04
Q	2.54	2.74	2.94
$\Theta 1$		5°	
$\Theta 2$		4°	
$\Theta 3$		4°	

### Mechanical Dimensions DPAK



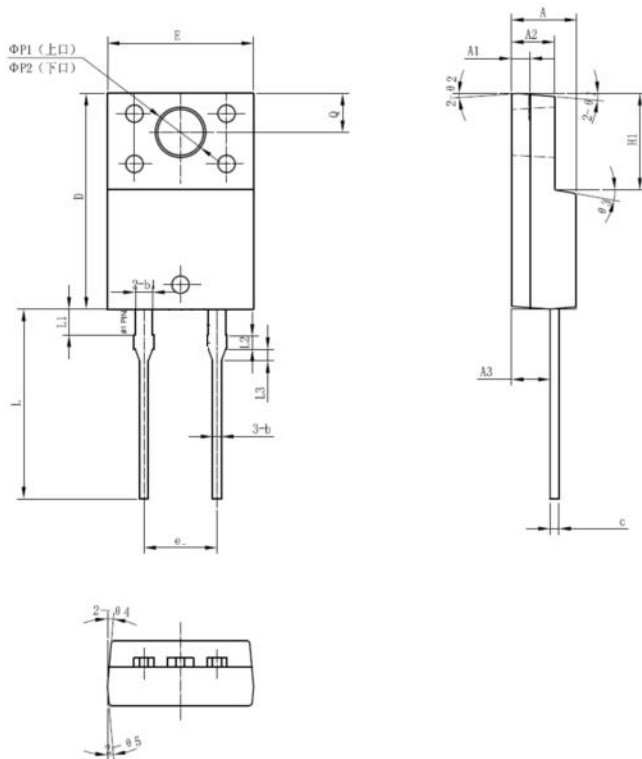
SYMBOL	Millimeters		Inches	
	Min.	Max.	Min.	Max.
A	2.20	2.40	0.087	0.094
A1	0.00	0.127	0.000	0.005
b	0.66	0.86	0.026	0.034
c	0.46	0.60	0.018	0.024
D	6.50	6.70	0.256	0.264
D1	5.13	5.46	0.202	0.215
D2	4.83 REF.		0.190 REF.	
E	6.00	6.20	0.236	0.244
e	2.186	2.386	0.086	0.094
L	9.70	10.40	0.381	0.409
L1	2.90 REF.		0.144 REF.	
L2	1.40	1.70	0.055	0.067
L3	1.60 REF.		0.063 REF.	
L4	0.60	1.00	0.024	0.039
$\Phi$	1.10	1.30	0.043	0.051
$\theta$	0°	8°	0°	8°
h	0.00	0.30	0.000	0.012
V	5.35 REF.		0.211 REF.	

### Mechanical Dimensions D<sup>2</sup>PAK



Symbol	Dimensions in millimeters		
	Min.	Typical	Max.
A	4.55	4.70	4.85
A1	0	0.10	0.25
A2	2.59	2.69	2.89
b	0.71	0.81	0.96
b1		1.27	
c	0.36	0.38	0.61
c1	1.17	1.27	1.37
D	8.55	8.70	8.85
D1	6.40		
E	10.01	10.16	10.31
E1	7.6		
E2	9.98	10.08	10.18
e		2.54	
H	14.6	15.1	15.6
L	2.00	2.30	2.70
L1	1.17	1.27	1.40
L2			2.20
L3		0.25BSC	
e	0	-	8°
e1		5°	
e2		4°	
e3		4°	

### Mechanical Dimensions ITO-220AC



SYMBOL	Millimeters		
	MIN.	TYP.	MAX.
A	4.30	4.50	4.70
A1	1.10	1.30	1.50
A2	2.50	3.00	3.20
A3	2.50	2.70	2.90
b	0.50	0.60	0.85
b1	1.10	1.20	1.35
c	0.50	0.60	0.85
D	14.80	15.00	15.20
E	9.96	10.16	10.36
e	-	5.10	-
H1	6.50	6.70	6.90
L	12.70	13.20	13.70
L1	1.60	1.80	2.00
L2	0.80	1.00	1.20
L3	0.60	0.80	1.00
ΦP1(上□)	3.30	3.50	3.70
ΦP2(下□)	2.99	3.19	3.39
Q	2.50	2.70	2.90
Θ1		5°	
Θ2		4°	
Θ3		10°	
Θ4		5°	
Θ5		5°	

**Technical Data**  
**Data Sheet N1938, Rev.-**



**DISCLAIMER:**

- 1- The information given herein, including the specifications and dimensions, is subject to change without prior notice to improve product characteristics. Before ordering, purchasers are advised to contact the SMC - Sangdest Microelectronics (Nanjing) Co., Ltd sales department for the latest version of the datasheet(s).
- 2- In cases where extremely high reliability is required (such as use in nuclear power control, aerospace and aviation, traffic equipment, medical equipment, and safety equipment), safety should be ensured by using semiconductor devices that feature assured safety or by means of users' fail-safe precautions or other arrangement.
- 3- In no event shall SMC - Sangdest Microelectronics (Nanjing) Co., Ltd be liable for any damages that may result from an accident or any other cause during operation of the user's units according to the datasheet(s). SMC - Sangdest Microelectronics (Nanjing) Co., Ltd assumes no responsibility for any intellectual property claims or any other problems that may result from applications of information, products or circuits described in the datasheets.
- 4- In no event shall SMC - Sangdest Microelectronics (Nanjing) Co., Ltd be liable for any failure in a semiconductor device or any secondary damage resulting from use at a value exceeding the absolute maximum rating.
- 5- No license is granted by the datasheet(s) under any patents or other rights of any third party or SMC - Sangdest Microelectronics (Nanjing) Co., Ltd.
- 6- The datasheet(s) may not be reproduced or duplicated, in any form, in whole or part, without the expressed written permission of SMC - Sangdest Microelectronics (Nanjing) Co., Ltd.
- 7- The products (technologies) described in the datasheet(s) are not to be provided to any party whose purpose in their application will hinder maintenance of international peace and safety nor are they to be applied to that purpose by their direct purchasers or any third party. When exporting these products (technologies), the necessary procedures are to be taken in accordance with related laws and regulations..