

DDR Termination Regulator

General Description

The RT9088A is a sink/source tracking termination regulator. It is specifically designed for low-cost and low-external component count systems. The RT9088A possesses a high speed operating amplifier that provides fast load transient response and only requires a minimum 30μF ceramic output capacitor. The RT9088A supports remote sensing functions and all features required to power the DDRIII and Low Power DDRIII / DDRIV VTT bus termination according to the JEDEC specification. In addition, the RT9088A provides an open-drain PGOOD signal to monitor the output regulation and an EN signal that can be used to discharge VTT during S3 (suspend to RAM) for DDR applications.

The RT9088A is available in the thermal efficient package, WDFN-10L 3x3.

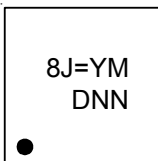
Features

- VIN Input Voltage Range: 1.1V to 3.5V
- VCNTL Input Voltage Range: 2.9V to 5.5V
- Support Ceramic Capacitors
- Power Good Indicator
- 10mA Source/Sink Reference Output
- Meet DDRI, DDRII JEDEC Spec
- Support DDRIII, Low Power DDRIII/DDRIV VTT Applications
- Soft-Start Function
- UVLO and OCP Protection
- Thermal Shutdown

Applications

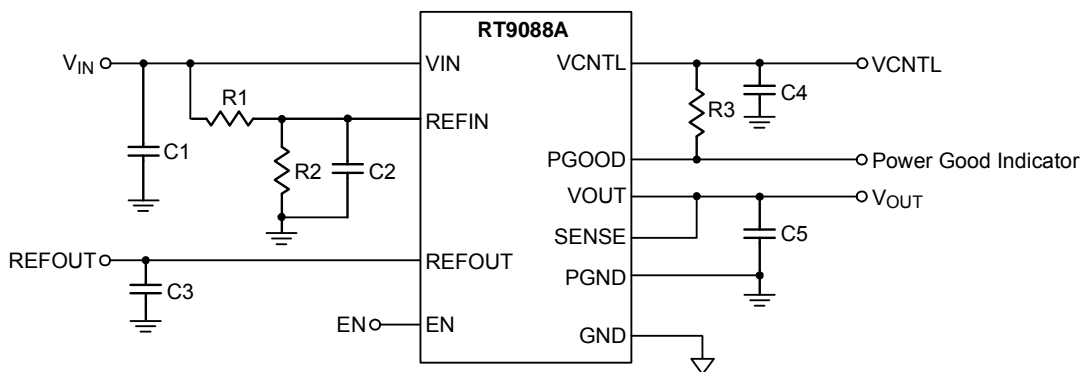
- Notebook/Desktop/Server
- Telecom/Datacom, GSM Base Station, LCD-TV/PDP-TV, Copier/Printer, Set-Top Box

Marking Information



8J= : Product Code
YMDNN : Date Code

Simplified Application Circuit



Ordering Information

RT9088A □□

- Package Type
QW : WDFN-10L 3x3 (W-Type)
- Lead Plating System
G : Green (Halogen Free and Pb Free)

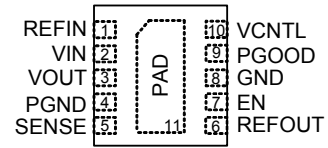
Note :

Richtek products are :

- ▶ RoHS compliant and compatible with the current requirements of IPC/JEDEC J-STD-020.
- ▶ Suitable for use in SnPb or Pb-free soldering processes.

Pin Configuration

(TOP VIEW)

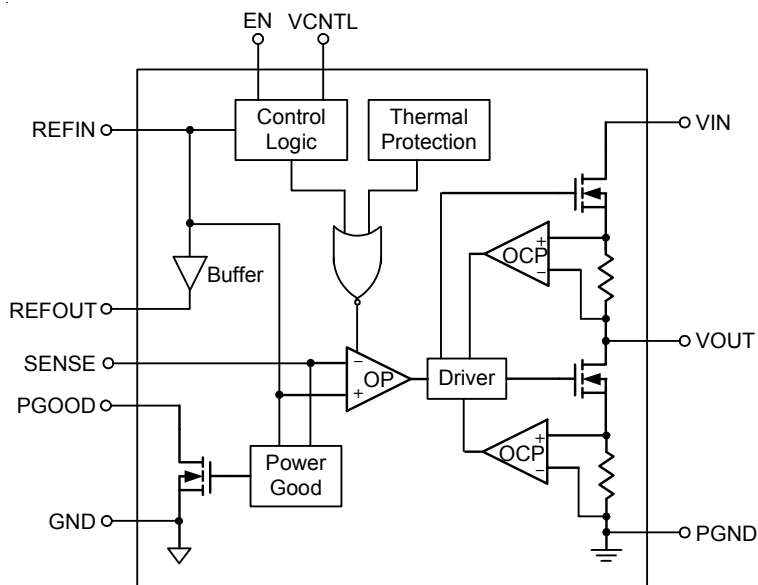


WDFN-10L 3x3

Functional Pin Description

| Pin No. | Pin Name | Pin Function |
|------------------|----------|--|
| 1 | REFIN | Reference input. |
| 2 | VIN | Power input of the regulator. |
| 3 | VOUT | Power output of the regulator. |
| 4 | PGND | Power ground of the regulator. |
| 5 | SENSE | Voltage sense input for the regulator. Connect to positive terminal of the output capacitor or the load. |
| 6 | REFOUT | Reference output. Connect to GND through a 0.1μF ceramic capacitor. |
| 7 | EN | Enable control input. For DDR VTT application, connect EN to SLP_S3. For other applications, use EN as the ON/OFF function. |
| 8 | GND | Analog ground. Connect to negative terminal of the output capacitor. |
| 9 | PGOOD | Power good open-drain output. Connect a pull-up resistor between this pin and VCNTL pin. |
| 10 | VCNTL | Control voltage input. Connect this pin to the 3.3V or 5V power supply. A 4.7μF ceramic decoupling capacitor is required. |
| 11 (Exposed Pad) | PAD | Exposed pad. The exposed pad is internally unconnected and must be soldered to a large PGND plane. Connect this PGND plane to other layers with thermal vias to help dissipate heat from the device. |

Functional Block Diagram



Operation

The RT9088A is a linear sink/source DDR termination regulator with current capability up to 3A. The RT9088A builds in a high-side N-MOSFET which provides current sourcing and a low-side N-MOSFET which provides current sinking. All the control circuits are supplied by the power VCNTL. In normal operation, the error amplifier OP adjusts the gate driving voltage of the power MOSFET to achieve SENSE voltage well tracking the REFIN voltage.

Both the source and sink currents are detected by the internal sensing resistor, and the OCP function will work to limit the current to a designed value when overload happens. Furthermore, the current will be folded back to be one half if VOUT is out of the power good window.

Buffer

This function provides REFOUT output level which is equal to REFIN level with 10mA source/sink current capability.

Power Good

When the SENSE voltage is in the power good window and lasts for a certain delay time, then the PGOOD pin will be high impedance and the PGOOD voltage will be pulled high by the external resistor.

Control Logic

This block includes VCNTL UVLO, REFIN UVLO and Enable/Disable functions, and provides logic control to the whole chip.

Thermal Protection

Both the high-side and low-side power MOSFETs will be turned off when the junction temperature is higher than typically 160°C, and be released to normal operation when junction temperature falls below 120°C typically.

Absolute Maximum Ratings (Note 1)

- Supply Voltage, V_{IN} , V_{CNTL} ----- -0.3V to 6V
- Input Voltage, EN, REFIN, SENSE ----- -0.3V to 6V
- Output Voltage, V_{OUT} , REFOUT, PGOOD ----- -0.3V to 6V
- Power Dissipation, P_D @ $T_A = 25^\circ\text{C}$
- WDFN-10L 3x3 ----- 3.27W
- Package Thermal Resistance (Note 2)
- WDFN-10L 3x3, θ_{JA} ----- 30.5°C/W
- WDFN-10L 3x3, θ_{JC} ----- 7.5°C/W
- Lead Temperature (Soldering, 10 sec.) ----- 260°C
- Junction Temperature ----- 150°C
- Storage Temperature Range ----- -65°C to 150°C
- ESD Susceptibility (Note 3)
- HBM (Human Body Model) ----- 2kV

Recommended Operating Conditions (Note 4)

- Control Input Voltage, V_{CNTL} ----- 2.9V to 5.5V
- Supply Input Voltage, V_{IN} ----- 1.1V to 3.5V
- Junction Temperature Range ----- -40°C to 125°C
- Ambient Temperature Range ----- -40°C to 85°C

Electrical Characteristics

($V_{IN} = 1.5\text{V}$, $V_{EN} = V_{CNTL} = 3.3\text{V}$, $V_{REFIN} = V_{SENSE} = 0.75\text{V}$, $C_{OUT} = 10\mu\text{F} \times 3$, $T_A = 25^\circ\text{C}$, unless otherwise specified)

| Parameter | Symbol | Test Conditions | Min | Typ | Max | Unit |
|----------------------------------|-------------------|--|-----|-------|-----|---------------|
| Supply Current | | | | | | |
| VCNTL Supply Current | I_{VCNTL} | $V_{EN} = V_{CNTL}$, No Load | -- | 0.7 | 1 | mA |
| VCNTL Shutdown Current | I_{SHDN_VCNTL} | $V_{EN} = 0\text{V}$, $V_{REFIN} = 0\text{V}$, No Load | -- | 65 | 80 | μA |
| | | $V_{EN} = 0\text{V}$, $V_{REFIN} > 0.4\text{V}$, No Load | -- | 200 | 400 | μA |
| V_{IN} Supply Current | I_{VIN} | $V_{EN} = V_{CNTL}$, No Load | -- | 1 | 50 | μA |
| V_{IN} Shutdown Current | I_{SHDN_VIN} | $V_{EN} = 0\text{V}$, No Load | -- | 0.1 | 50 | μA |
| Output | | | | | | |
| VTT Output Voltage | V_{OUT} | $V_{IN} = 1.5\text{V}$, $V_{REFIN} = 0.75\text{V}$, $I_{OUT} = 0\text{A}$ | -- | 0.75 | -- | V |
| | | $V_{IN} = 1.35\text{V}$, $V_{REFIN} = 0.675\text{V}$, $I_{OUT} = 0\text{A}$ | -- | 0.675 | -- | V |
| | | $V_{IN} = 1.2\text{V}$, $V_{REFIN} = 0.6\text{V}$, $I_{OUT} = 0\text{A}$ | -- | 0.6 | -- | V |
| REFIN, VTT Output Voltage Offset | V_{OUT_OS} | $I_{OUT} = \pm 2\text{A}$, $V_{LDOIN} = 1.5\text{V}$, $V_{REFOUT} = 0.75\text{V}$ | -25 | -- | 25 | mV |
| | | $I_{OUT} = \pm 2\text{A}$, $V_{LDOIN} = 1.35\text{V}$, $V_{REFOUT} = 0.675\text{V}$ | -25 | -- | 25 | |
| | | $I_{OUT} = \pm 2\text{A}$, $V_{LDOIN} = 1.2\text{V}$, $V_{REFOUT} = 0.6\text{V}$ | -25 | -- | 25 | |

| Parameter | Symbol | Test Conditions | Min | Typ | Max | Unit |
|--|----------------------------|---|-----|-----|------|------|
| VOUT Source Current Limit | I _{LIM_VOUT_SR} | VOUT in PGOOD Window | 3.5 | -- | 5.5 | A |
| VOUT Sink Current Limit | I _{LIM_VOUT_SK} | VOUT in PGOOD Window | 3.5 | -- | 5.5 | A |
| VOUT Discharge Resistance | R _{DISCHARGE} | V _{REFIN} = 0V, V _{OUT} = 0.3V, V _{EN} = 0V | -- | 18 | 25 | Ω |
| Power Good Comparator | | | | | | |
| PGOOD Threshold | V _{TH_PGOOD} | V _{SENSE} lower threshold with respect to REFOUT | -25 | -20 | -15 | % |
| | | V _{SENSE} upper threshold with respect to REFOUT | 15 | 20 | 25 | |
| | | PGOOD Hysteresis | -- | 5 | -- | |
| PGOOD Start-Up Delay | T _{PGDELAY1} | Start-up rising delay, V _{SENSE} within PGOOD range | -- | 2 | -- | ms |
| Output Low Voltage | V _{LOW_PGOOD} | I _{PGOOD} = 4mA | -- | -- | 0.4 | V |
| PGOOD Falling Delay | T _{PGDELAY2} | Falling delay, V _{SENSE} is out of PGOOD range | -- | 10 | -- | μs |
| Leakage Current | I _{LEAKAGE_PGOOD} | V _{SENSE} = V _{REFIN} (PGOOD high impedance), V _{PGOOD} = V _{IN} + 0.3V | -- | -- | 1 | μA |
| REFIN and REFOUT | | | | | | |
| REFIN Input Current | I _{REFIN} | V _{EN} = V _{CTRL} | -- | -- | 1 | μA |
| REFIN Voltage Range | V _{REFIN} | | 0.5 | -- | 1.8 | V |
| REFIN Under-Voltage Lockout | V _{UVLO_REFIN} | REFIN Rising | 360 | 390 | 420 | mV |
| | | Hysteresis | -- | 20 | -- | |
| REFOUT Voltage Tolerance to V _{REFIN} | V _{TOL_REFOUT} | -10mA < I _{REFOUT} < 10mA, V _{REFIN} = 0.75V | -15 | -- | 15 | mV |
| | | -10mA < I _{REFOUT} < 10mA, V _{REFIN} = 0.675V | -15 | -- | 15 | |
| | | -10mA < I _{REFOUT} < 10mA, V _{REFIN} = 0.6V | -15 | -- | 15 | |
| REFOUT Source Current Limit | I _{LIM_REFOUT_SR} | V _{REFOUT} = 0V | 10 | 40 | -- | mA |
| REFOUT Sink Current Limit | I _{LIM_REFOUT_SK} | V _{REFOUT} = REFIN + 1V | 10 | 40 | -- | mA |
| UVLO/EN | | | | | | |
| UVLO Threshold | V _{UVLO_VCNTL} | Rising | 2.5 | 2.7 | 2.85 | V |
| | | Hysteresis | -- | 120 | -- | mV |
| EN Input Voltage | Logic-High | V _{IN_H} | 1.7 | -- | -- | V |
| | Logic-Low | V _{IN_L} | -- | -- | 0.3 | |
| EN Turn-On Delay | t _{DELAY} | EN turn on to V _{OUT} rising (reference Note 5) | -- | -- | 7 | μs |
| Thermal Shutdown | | | | | | |
| Thermal Shutdown Threshold | T _{SD} | Shutdown Temperature | -- | 160 | -- | °C |
| | | Hysteresis | -- | 15 | -- | |

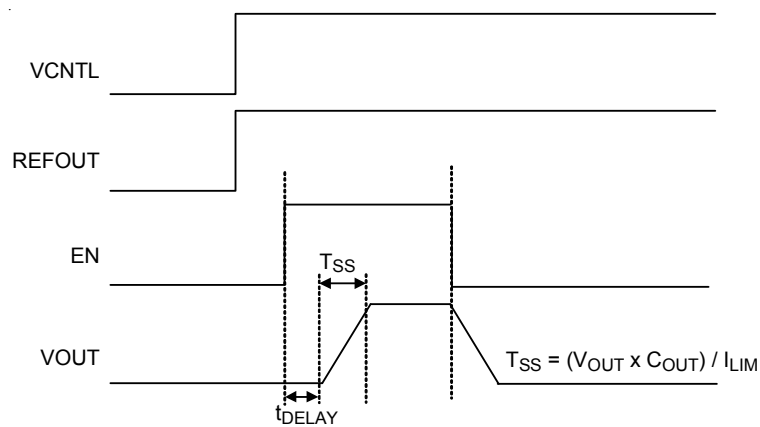
Note 1. Stresses beyond those listed “Absolute Maximum Ratings” may cause permanent damage to the device. These are stress ratings only, and functional operation of the device at these or any other conditions beyond those indicated in the operational sections of the specifications is not implied. Exposure to absolute maximum rating conditions may affect device reliability.

Note 2. θ_{JA} is measured at $T_A = 25^\circ\text{C}$ on a high effective thermal conductivity four-layer test board per JEDEC 51-7. θ_{JC} is measured at the exposed pad of the package.

Note 3. Devices are ESD sensitive. Handling precaution is recommended.

Note 4. The device is not guaranteed to function outside its operating conditions.

Note 5. t_{DELAY} is the period from EN turn on to V_{OUT} rising as shown in below diagram. While T_{SS} is the rising period of V_{OUT} , the formula used to calculate this rising period is $T_{\text{SS}} = (V_{\text{OUT}} \times C_{\text{OUT}}) / I_{\text{LIM}}$. It's based on the value of output capacitor C_{OUT} , the settled output voltage V_{OUT} and the output current limit I_{LIM} .



Typical Application Circuit

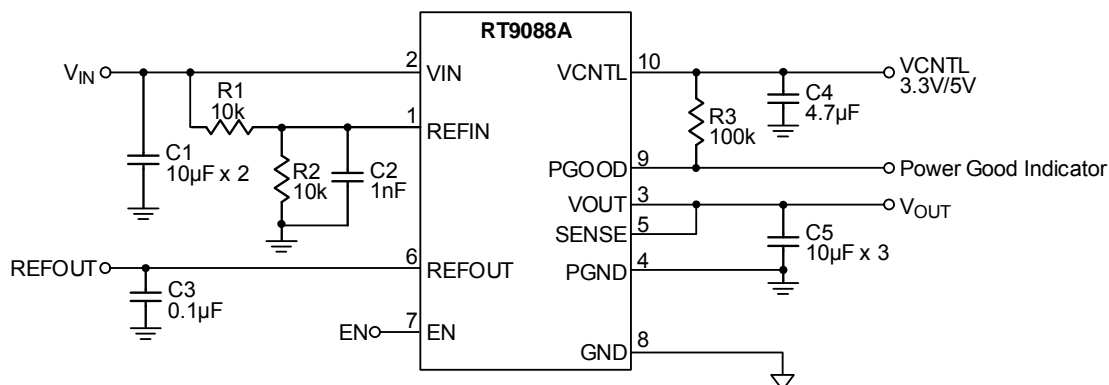
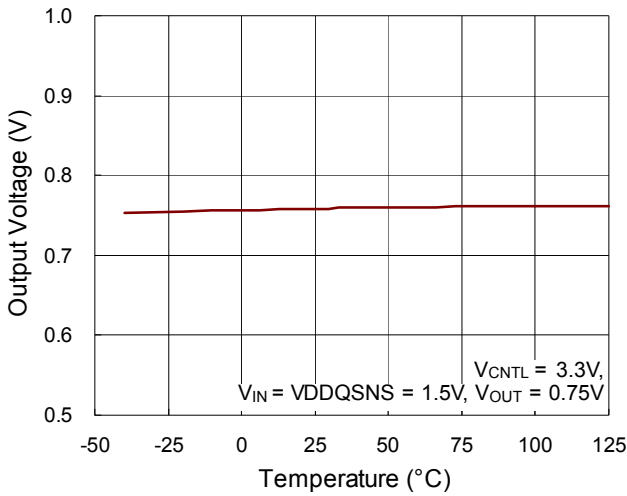


Table 1. Recommended External Components

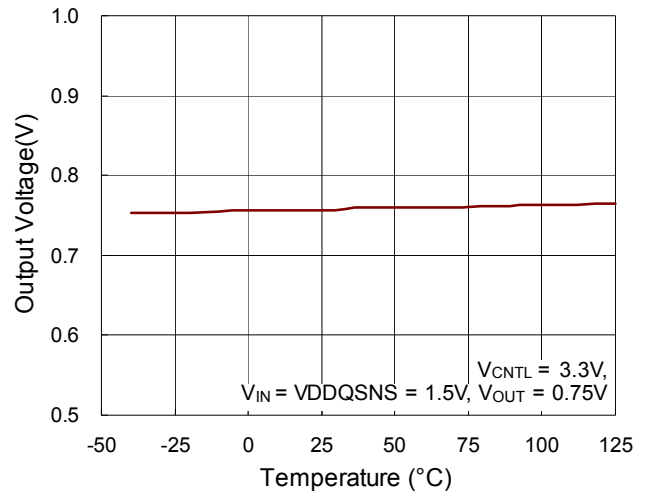
| Component | Description | Vendor P/N |
|-----------|------------------------|---|
| C1, C5 | 10µF, 6.3V, X7R, 0805 | GRM21BR70J106KE76L (Murata) CGA4J1X7R0J106K125AC (TDK) |
| C2 | 1nF, 50V, X7R, 0603 | GCD188R71H102KA01D (Murata) CGA3E2X7R1H102K080AA (TDK) |
| C3 | 0.1µF, 16V, X7R, 0603 | GCJ188R71C104KA01D (Murata) |
| C4 | 4.7µF, 6.3V, X5R, 0603 | GRT188R60J475ME01D (Murata) CGB3B3X5R0J475M055AB(TDK) |

Typical Operating Characteristics

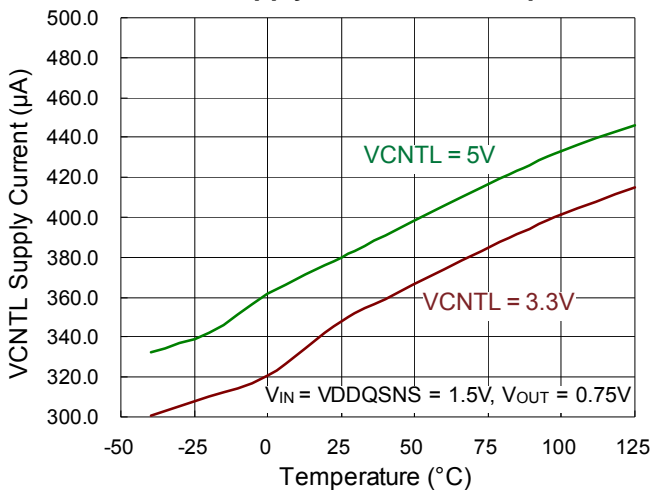
Output Voltage vs. Temperature



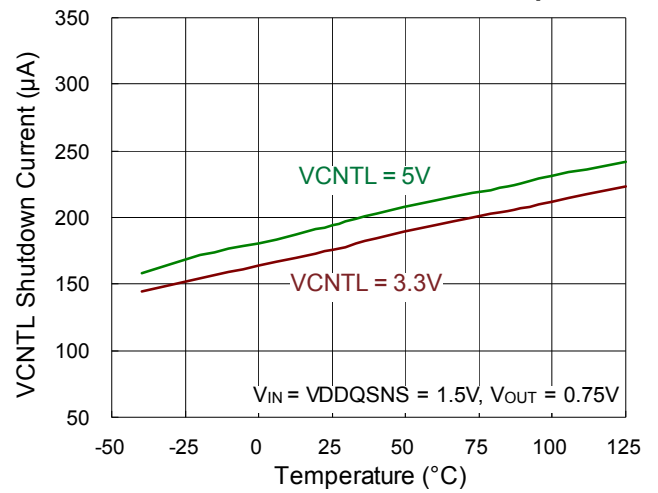
REFOUT Voltage vs. Temperature



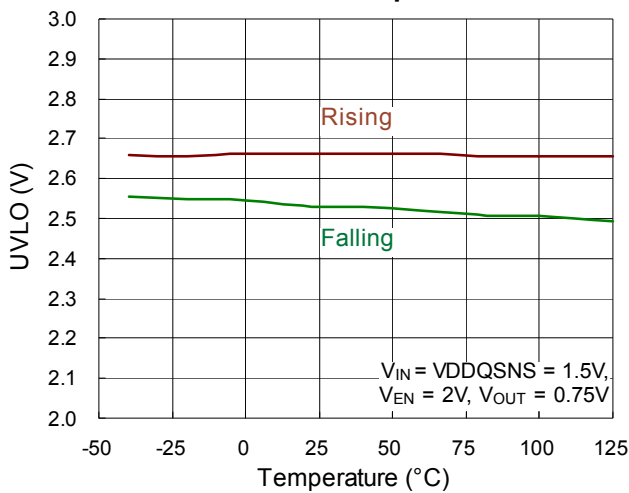
VCNTL Supply Current vs. Temperature



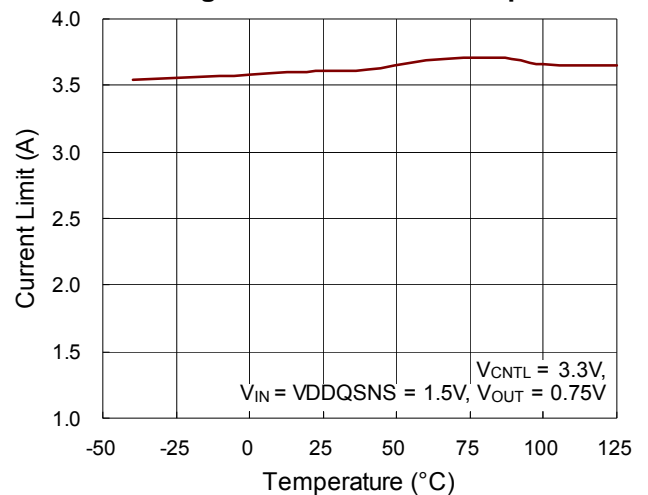
VCNTL Shutdown Current vs. Temperature



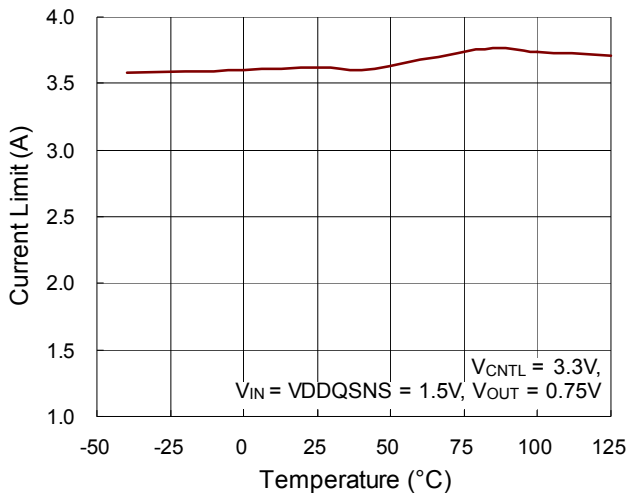
UVLO vs. Temperature



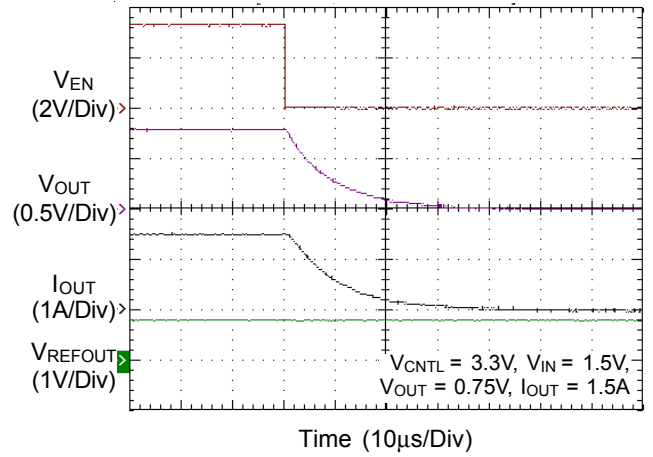
Sourcing Current Limit vs. Temperature



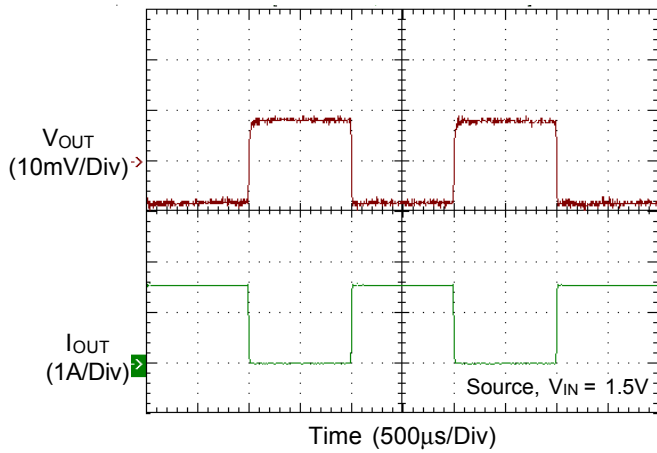
Sinking Current Limit vs. Temperature



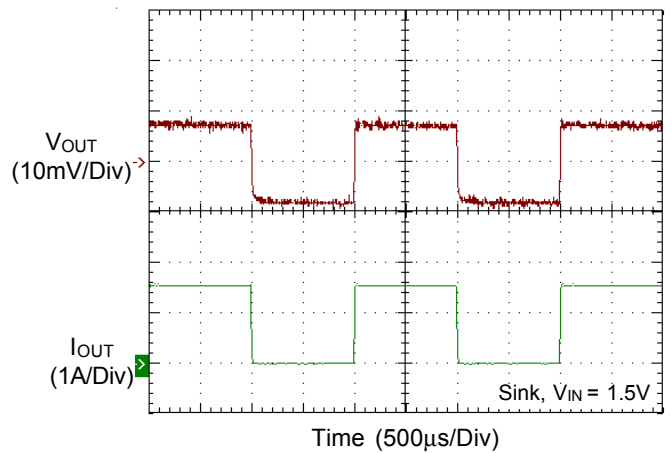
Power Off from EN



0.75V_{OUT} @ 1.5A Transient Response



0.75V_{OUT} @ 1.5A Transient Response



Application Information

The RT9088A is a 3A sink/source tracking termination regulator. It is specifically designed for low-cost and low-external component count system such as notebook PC applications. The RT9088A possesses a high speed operating amplifier that provides fast load transient response and only requires two 10µF ceramic input capacitors and three 10µF ceramic output capacitors.

Capacitor Selection

Good bypassing is recommended from VIN to GND to help improve AC performance. A 10µF or greater input capacitor placed as close as possible to the IC is recommended. The input capacitor must be placed at a distance of less than 0.5 inches from the VIN pin of the IC.

The 1µF ceramic capacitor added close to the VCNTL pin should be kept away from any parasitic impedance from the supply power. For stable operation, the total capacitance of the ceramic capacitor at the VOUT output terminal must be larger than 30µF. The RT9088A is designed specifically to work with low ESR ceramic output capacitor in space saving and performance consideration. Larger output capacitance can reduce the noise and improve load transient response, stability and PSRR. The output capacitor should be located near the VOUT output terminal pin as close as possible.

Thermal Considerations

For continuous operation, do not exceed absolute maximum junction temperature. The maximum power dissipation depends on the thermal resistance of the IC package, PCB layout, rate of surrounding airflow, and difference between junction and ambient temperature. The maximum power dissipation can be calculated by the following formula :

$$P_{D(MAX)} = (T_{J(MAX)} - T_A) / \theta_{JA}$$

where $T_{J(MAX)}$ is the maximum junction temperature, T_A is the ambient temperature, and θ_{JA} is the junction to ambient thermal resistance.

For recommended operating condition specifications, the maximum junction temperature is 125°C. The junction to ambient thermal resistance, θ_{JA} , is layout dependent. For WDFN-10L 3x3 package, the thermal resistance, θ_{JA} , is

30.5°C/W on a standard JEDEC 51-7 four-layer thermal test board. The maximum power dissipation at $T_A = 25^\circ\text{C}$ can be calculated by the following formula :

$$P_{D(MAX)} = (125^\circ\text{C} - 25^\circ\text{C}) / (30.5^\circ\text{C/W}) = 3.27\text{W for WDFN-10L 3x3 package}$$

The maximum power dissipation depends on the operating ambient temperature for fixed $T_{J(MAX)}$ and thermal resistance, θ_{JA} . The derating curve in Figure 1 allows the designer to see the effect of rising ambient temperature on the maximum power dissipation.

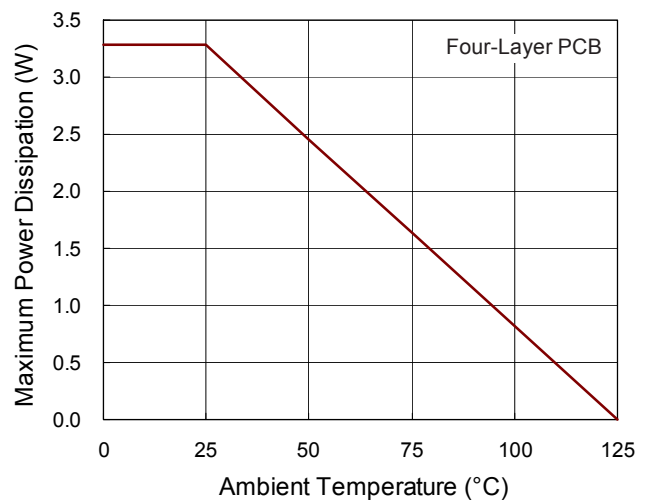
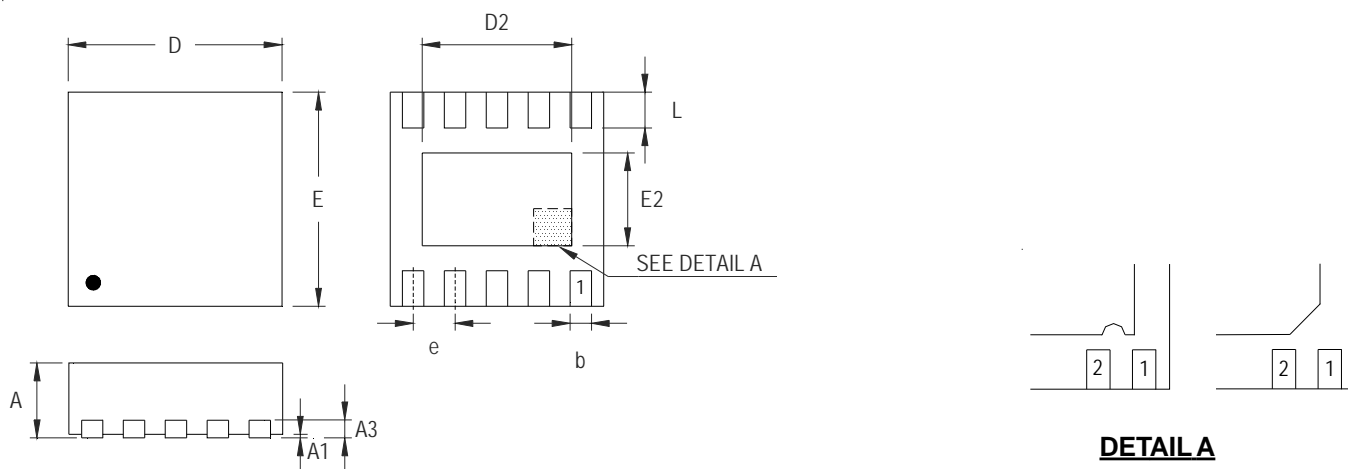


Figure 1. Derating Curve of Maximum Power Dissipation

Outline Dimension



DETAIL A

Pin #1 ID and Tie Bar Mark Options

Note : The configuration of the Pin #1 identifier is optional, but must be located within the zone indicated.

| Symbol | Dimensions In Millimeters | | Dimensions In Inches | |
|--------|---------------------------|-------|----------------------|-------|
| | Min | Max | Min | Max |
| A | 0.700 | 0.800 | 0.028 | 0.031 |
| A1 | 0.000 | 0.050 | 0.000 | 0.002 |
| A3 | 0.175 | 0.250 | 0.007 | 0.010 |
| b | 0.180 | 0.300 | 0.007 | 0.012 |
| D | 2.950 | 3.050 | 0.116 | 0.120 |
| D2 | 2.300 | 2.650 | 0.091 | 0.104 |
| E | 2.950 | 3.050 | 0.116 | 0.120 |
| E2 | 1.500 | 1.750 | 0.059 | 0.069 |
| e | 0.500 | | 0.020 | |
| L | 0.350 | 0.450 | 0.014 | 0.018 |

W-Type 10L DFN 3x3 Package

Richtek Technology Corporation

14F, No. 8, Tai Yuen 1st Street, Chupei City
 Hsinchu, Taiwan, R.O.C.
 Tel: (8863)5526789

Richtek products are sold by description only. Richtek reserves the right to change the circuitry and/or specifications without notice at any time. Customers should obtain the latest relevant information and data sheets before placing orders and should verify that such information is current and complete. Richtek cannot assume responsibility for use of any circuitry other than circuitry entirely embodied in a Richtek product. Information furnished by Richtek is believed to be accurate and reliable. However, no responsibility is assumed by Richtek or its subsidiaries for its use; nor for any infringements of patents or other rights of third parties which may result from its use. No license is granted by implication or otherwise under any patent or patent rights of Richtek or its subsidiaries.