



**ANATECH ELECTRONICS INC**  
RF & Microwave Filters & Products

# 1542-1643 MHz Ceramic Duplexer

## Part Number: AM1542-1643D1034



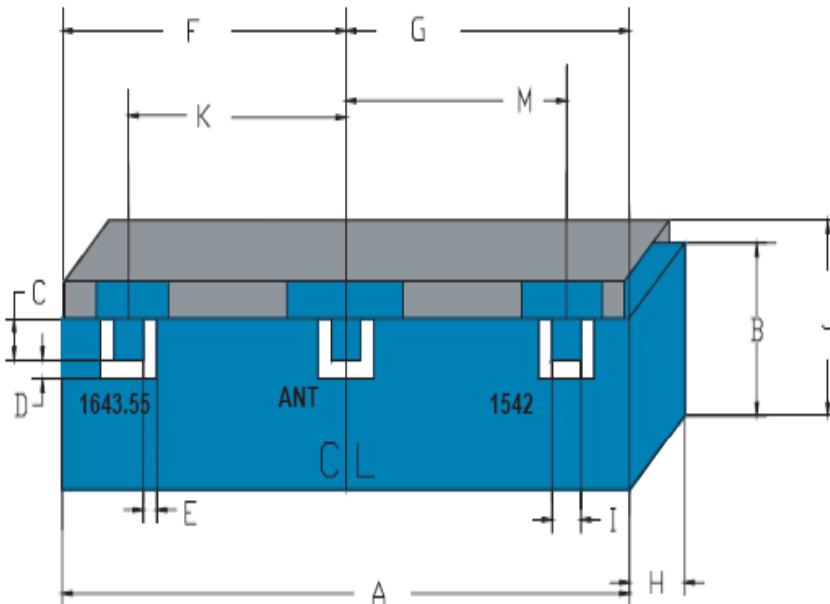
<u>Characteristics</u>	<u>Band 1</u>	<u>Band 2</u>
<b>Passband:</b>	1525-1559 MHz	1626.5-1660.6 MHz
<b>Bandwidth:</b>	34 MHz	34.1 MHz
<b>Passband Return Loss:</b>	15 dB	15 dB
<b>Passband Insertion Loss:</b>	1.85 dB	2.1 dB
<b>Passband Ripple:</b>	0.9 dB	0.9 dB
<b>Input / Output Impedance:</b>	50 Ohms	50 Ohms
<b>Isolation:</b>	60 dB	55 dB
<b>Power Handling:</b>	3 W max	3 W max

<u>Mechanical</u>	
<b>Mounting Method:</b>	SMT
<b>Dimensions:</b>	24 x 8 x 4.6 mm

<u>Environmental</u>	
<b>Operating Temperature:</b>	-40 to +70 deg.C
<b>Storage Temperature:</b>	-50 to +90 deg.C

This product is RoHs compliant.

### Outline Drawing:



Dim	Nominal (mm)	Tolerance (mm) +/- or max
A	24.00	max
B	7.00	max
C	1.02	0.13
D	1.02	0.13
E	1.02	0.13
F	11.87	0.13
G	11.87	0.13
H	4.60	max
I	1.02	0.13
J	8.00	max
K	9.90	0.13
M	9.90	0.13



**ANATECH ELECTRONICS INC**  
RF & Microwave Filters & Products

**1542-1643 MHz Ceramic Duplexer**

**Part Number: AM1542-1643D1034**



**Response Plot:**

