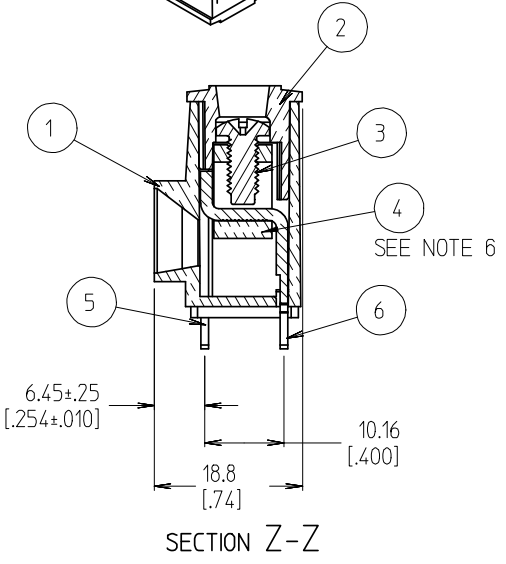
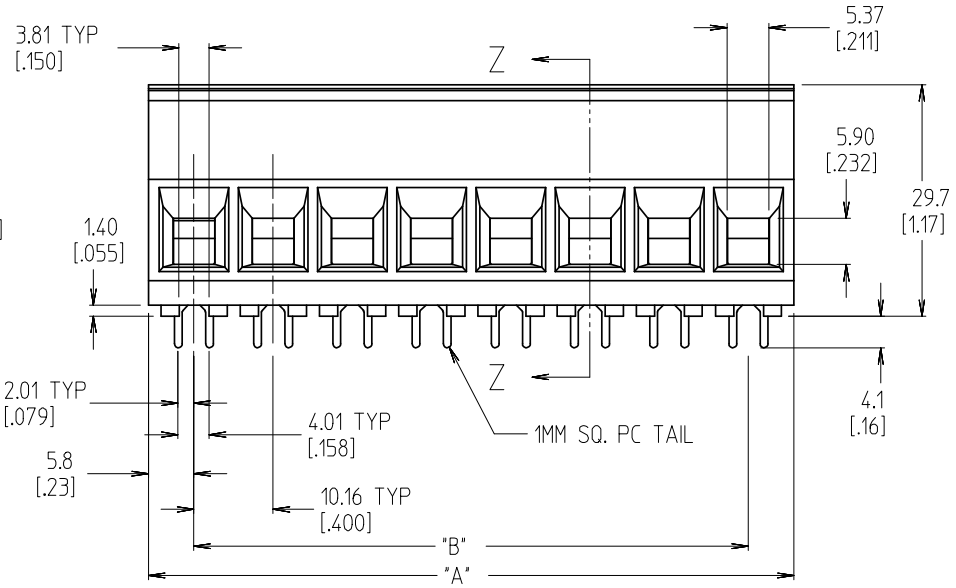
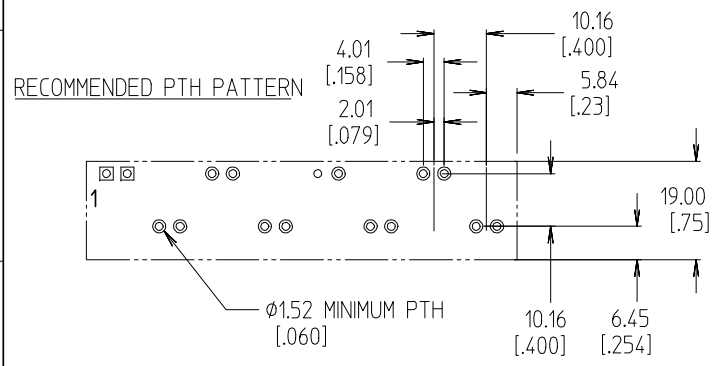
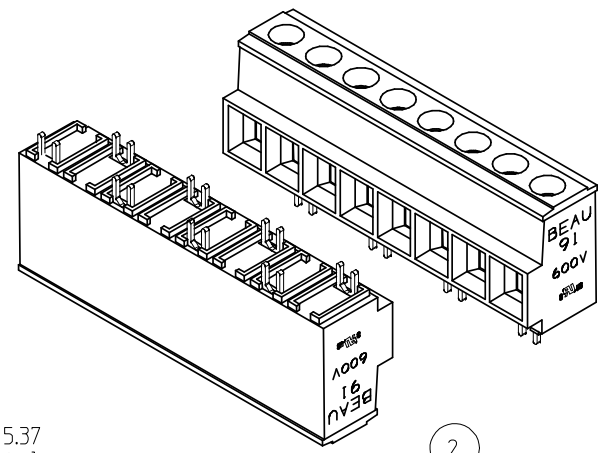
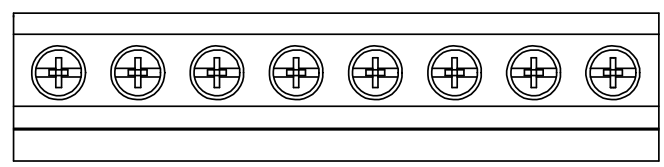


MATERIAL NO. W/ CAGES CLOSED	NUMBER OF CIRCUITS	"A" DIM.	"B" DIM.
-	02	21.8 [ .86]	10.16 [ .400]
-	03	32.0 [ 1.26]	20.32 [ .800]
-	04	42.2 [ 1.66]	30.48 [ 1.200]
-	05	52.3 [ 2.06]	40.64 [ 1.600]
-	06	62.5 [ 2.46]	50.80 [ 2.000]
-	07	72.6 [ 2.86]	60.96 [ 2.400]
-	08	82.8 [ 3.26]	71.12 [ 2.800]
-	09	93.0 [ 3.66]	81.28 [ 3.200]
399100910	10	103.1 [ 4.06]	91.44 [ 3.600]
-	11	113.3 [ 4.46]	101.60 [ 4.000]
399100912	12	123.4 [ 4.86]	111.76 [ 4.400]
-	13	133.6 [ 5.26]	121.92 [ 4.800]
-	14	143.8 [ 5.66]	132.08 [ 5.200]



- NOTES:
1. MATERIAL: SEE TABLE
  2. FINISHES: SEE TABLE
  3. INCH DIMS ARE SHOWN IN BRACKETS [XXX].
  4. DESIGNED TO MEET UL 1059 CLASS C 600 VOLTS
  5. "XX" REFERS TO THE NUMBER OF CIRCUIT POSITIONS.
  6. SCREWS ARE DRIVEN DOWN FULLY TO CLOSE CAGE CLAMPS.
  7. ASSEMBLY IS ROHS COMPLIANT BY EXEMPTION. COMPONENTS MARKED WITH AN ASTERISK (\*) ARE ROHS COMPLIANT BY EXEMPTION, ALL OTHERS ARE ROHS COMPLIANT.

ITEM	QTY.	DESCRIPTION	MATERIAL	FINISH
6	A/R	REAR TERMINAL	COPPER	TIN PLATE
5	A/R	FRONT TERMINAL	COPPER	TIN PLATE
4	XX	CAGE CLAMP (*)	BRASS	NICKEL PLATE
3	XX	SCREW, M4, #2 POZI-SLOT	BRONZE	TIN PLATED
2	1	COVER	PBT	BLACK
1	1	BODY	PBT	BLACK

INITIAL RELEASE  
 EEC NO: ETC2007-0418  
 DRWN: CLYORK 2007/05/15  
 CHKD: MACNEIL 2007/05/15  
 APPR: MACNEIL 2007/05/15

QUALITY SYMBOLS  
 ▼=0  
 ▽=0

DESCRIPTION  
 A

GENERAL TOLERANCES (UNLESS SPECIFIED)

	mm	INCH
4 PLACES	±---	±---
3 PLACES	±---	±.005
2 PLACES	±0.13	±.01
1 PLACE	±0.3	±---

ANGULAR ± 2 °

DRAFT WHERE APPLICABLE  
 MUST REMAIN WITHIN DIMENSIONS

DIMENSION STYLE  
 MM/IN

SCALE  
 3:2

DESIGN UNITS  
 INCH

THIRD ANGLE PROJECTION

DRAWN BY  
 C. YORK

DATE  
 2007/05/11

CHECKED BY  
 J. MACNEIL

DATE  
 2007/05/11

APPROVED BY  
 J. MACNEIL

DATE  
 2007/05/11

MATERIAL NO.  
 SEE CHART

SIZE  
 B

TITLE  
 10.16MM [ .400" ] SR BTS  
 6 AWG ASSY, 60 AMP, 600V  
 W/ CAGES CLOSED

MOLEX INCORPORATED

DOCUMENT NO.  
 SD-39910-003

SHEET NO.  
 1 OF 1

THIS DRAWING CONTAINS INFORMATION THAT IS PROPRIETARY TO MOLEX INCORPORATED AND SHOULD NOT BE USED WITHOUT WRITTEN PERMISSION