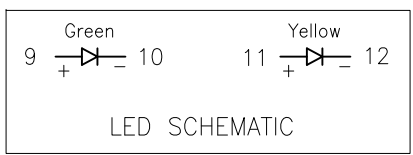
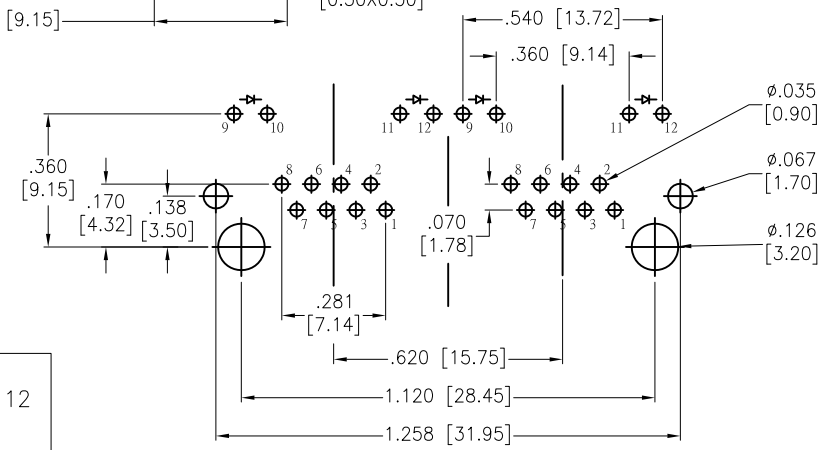
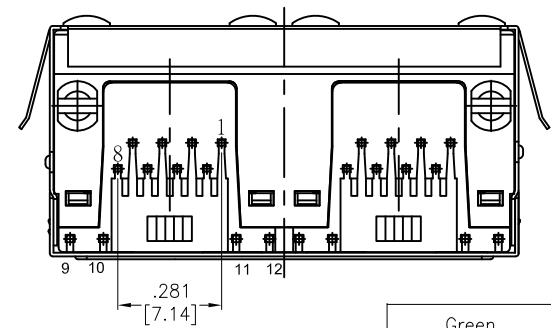
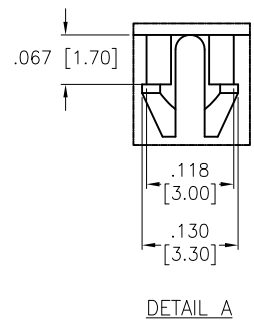
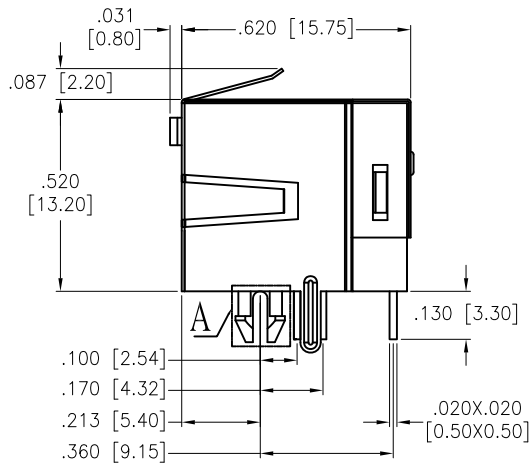
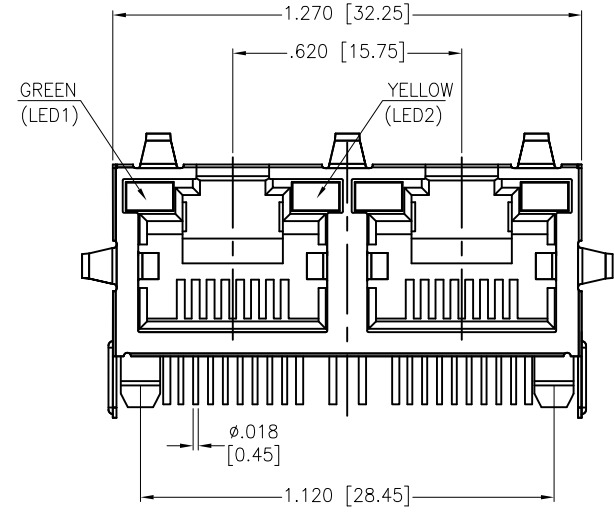


Rev	AWO #	Description	Date	Appr
-		RELEASED	9/27/18	

APPROVED: _____
DATE: _____ TITLE: _____



SPECIFICATIONS:

Material:
Insulator: Hi-temp thermoplastic, rated UL 94V-0
Insulator color: Pantone P114C, Yellow
Contacts: Phosphor Bronze
Shield: Brass, Nickel plated
Contacts Plating:
Round contact
Gold over Nickel underplate overall
Flat contact
Gold over Nickel underplate on contact area,
Tin over Nickel underplate on solder tails
Electrical:
Voltage rating: 150 VAC max
Current rating: 1.5 Amp max
Contact Resistance: 30 mohms max
Insulation resistance: 500 Mohms min
Dielectric withstanding voltage: 1,000 VAC
Temperature Rating:
Operating temperature: -40°C to +70°C
Environmental:
Lead free, RoHS compliant.



UNLESS OTHERWISE SPECIFIED ALL DIMENSIONS ARE INCHES [MM] TOLERANCES: EXCEPT AS NOTED		
INCHES		HOLES
.X ± .10	Ø.X ± .10	
.XX ± .020	Ø.XX ± .015	
.XXX ± .015	Ø.XXX ± .010	
APPROVALS		DATE
DRAWN	HR	9/27/18
CHECKED	RC2	9/27/18
APPROVED		

ADAM TECH INTERCONNECTS 909 Rahway Avenue, Union, NJ 07083
Phone: 908-687-5000 Fax: 908-687-5710

TITLE: **MODULAR TELEPHONE JACK, GANGED 8P8C, W/ LED1 GREEN, LED2 YELLOW**

SIZE	PART NO.	REV.
X	MTJG-2-88ARX1-FSW-PG-LH-P114C-HT-A	-

REF: S00297T SCALE: NTS SHEET 1 OF 1

6 5 4 3 2 1

6 5 4 3 2 1

D

D

C

C

B

B

A

A