

720-6300 Series

Electronic LCD Hour Meter



The Model 720 Electronic Hour Meter offers a large 8 digit LCD display, (9999999.9) 0.32" (8mm) high, with an input operating voltage of 85-500VAC. The front of the unit is totally sealed, and the Hour Meter is housed in a rugged steel enclosure that is interchangeable with the Redington Model 720 Electro Mechanical Hour Meters. The wide operating voltage makes this product ideal for almost any application.

Key Features

- Operating voltage 85-500VAC
- Rugged steel housing
- Lithium battery
- Quartz accuracy (better than 0.01%)
- Popular 3-hole mounting
- Options include:
 - Gasket (721-0004)

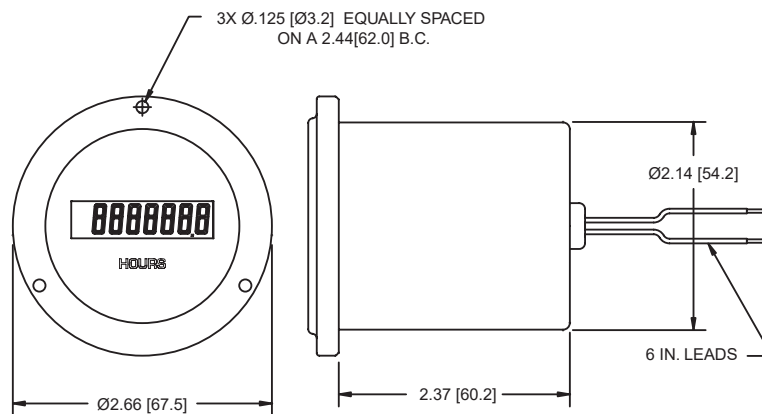
Applications

- Test Equipment
- Control Panels
- Outdoor Lighting
- Compressors
- Industrial Equipment

Specifications

Display:	Large 8 digit LCD (999999.9), 0.32" [8mm] high
Reset:	Non-reset
Voltage:	85-500VAC 50/60Hz
Hour Meter Memory:	Self-powered (internal lithium battery)
Termination:	Wire leads 6" [152mm]
Mounting:	Panel (3-Hole)
Temp. Range:	
Operating:	-4°F to + 140°F (-20°C to +60°C)
Storage:	-40°F to +165°F (-40°C to +75°C)
Humidity:	0 to 95% RH, non-condensing, front totally sealed
Vibration:	10 to 80 Hz, 0.06 double amplitude
Shock:	50G
Dielectric:	1000VAC 50/60Hz for 1 minute
Accuracy:	Quartz accuracy (better than 0.01%)
Weight:	5.0 oz (142g)

Dimensions



Panel cutout: 2.16" [54.9] Dia.
Mounting holes: 0.125" [3.2] Dia. on 2.44" [62.0] B.C.

Part Numbers

720-6300 85-500VAC, non-reset, 3-hole round, 6" (152mm) wire leads

