

VARIOFACE Modules as Compact Power Distributor with Screw-Clamping Terminal

FLK-PVB 2/...

1. Short Description

The growing demand to increase packing density, along with providing fast connector terminations, places new demands on terminal point manufactures. Phoenix Contact VARIOFACE modules meet these new requirements, as compact multi-position units, providing innovative features for installing power distribution in a restricted space.

Modules FLK-PVB 2/24, FLK-PVB 2/36, FLK-PVB 2/48, allow power distribution for two potentials each in even the smallest distributor boxes. The potentials are supplied with screw connection terminal blocks capable of accommodating input wires up to 12 AWG (4mm²) and output wires up to 14 AWG (2.5mm²). The terminals are provided with labeling for P1 and P2 or + and -. The modules have a universal foot and can be mounted onto standard DIN-rails.

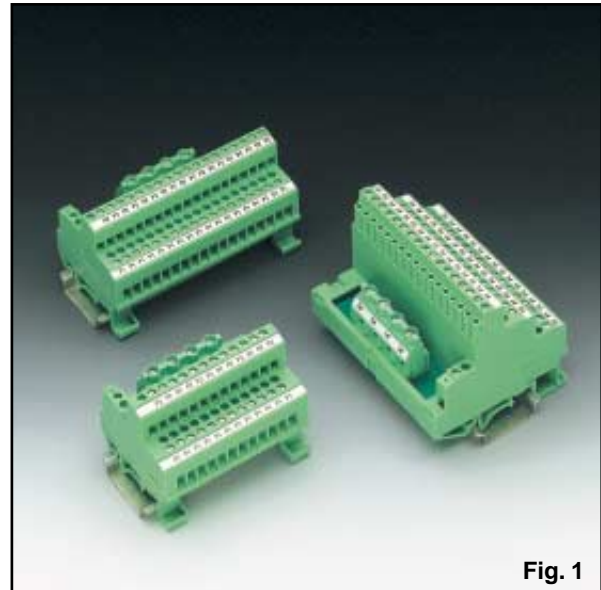


Fig. 1

Connection scheme
FLK-PVB 2/...

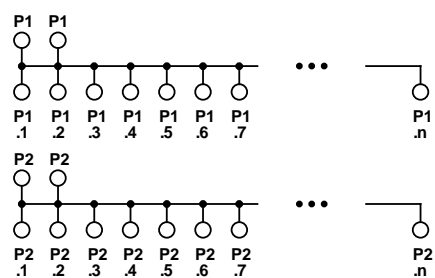


Fig. 2

Dimensional drawing FLK-PVB 2/24

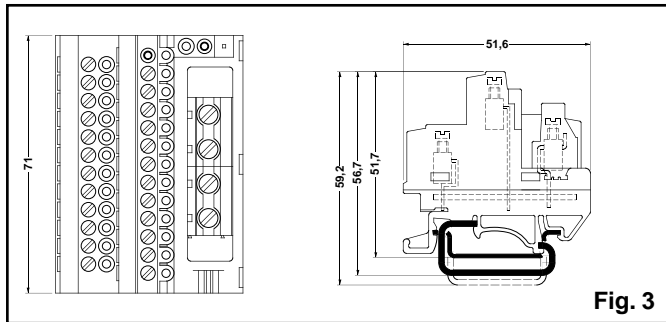


Fig. 3

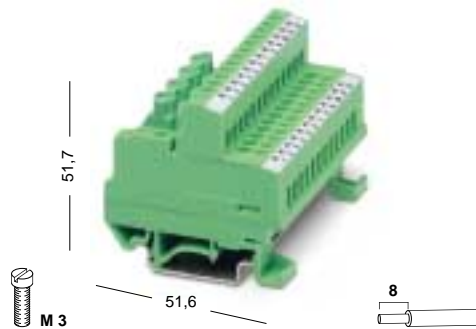


Fig. 4

2. Technical data

FLK-PVB 2/24

Potential distribution block

		(IEC) [mm ²]	rigid solid	flexible stranded	I AWG	U [V]
		Connection data:				
		Supply	0.2-6	0.2-4	24-10	30* 250
		Distribution	0.2-4	0.2-2.5	24-12	30* 250
2.1. Description	Module width [mm]	Type		Order No.	Pcs. Pkt.	
VARIOFACE modules, with two common busbars for potential distribution, mounting on standard DIN-rail	71.0	FLK-PVB 2/24		22 95 65 1	1	
2.2. General data		250 V AC/DC 30 A* -20 °C to +50 °C any 0.2-4 mm ² (24-12AWG) 0.2-2.5 mm ² (24-14AWG) 2 input terminal blocks/12 distributor terminal blocks 2 input terminal blocks/12 distributor terminal blocks Polyamide PA non-reinforced (green) PVC				
Max. perm. operating voltage (between two contacts)						
Max. permissible current per potential						
Perm. ambient temperature						
Installation position						
Connection cross section	supply					
	distribution					
Potential connections	P1					
	P2					
Input terminal blocks						
Housing (distributor terminal blocks)						
2.3. Standards/regulations		IEC 60 664 (1980)/IEC 60 664A (1981) DIN VDE 0110 /(1.89) contamination class 2 surge voltage category III				
Air and creepage distances						

* max. residual current per potential, however no more than 16 A per distributor terminal block

Dimensional drawing FLK-PVB 2/36

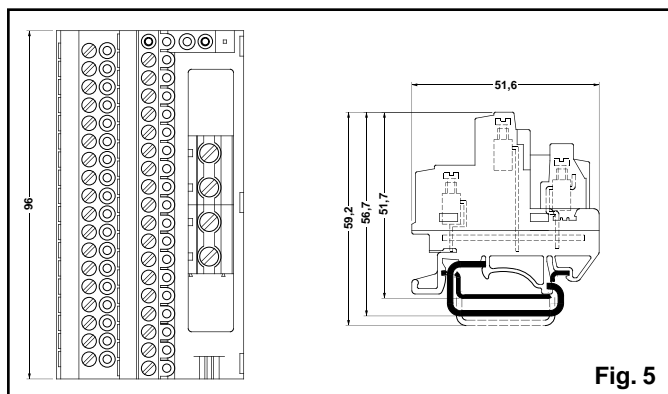


Fig. 5

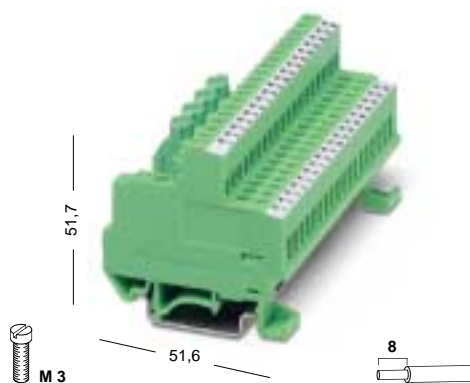


Fig. 6

3. Technical data

FLK-PVB 2/36 Potential distribution block

		(IEC) [mm ²]	rigid solid	flexible stranded	AWG	I [A]	U [V]
Connection data:							
Supply		0.2-6	0.2-4	24-10	30*	250	
Distribution		0.2-4	0.2-2.5	24-12	30*	250	
3.1. Description	Module width [mm]	Type		Order No.	Pcs. Pkt.		
VARIOFACE modules, with two common busbars for potential distribution, mounting on standard DIN-rail	96.0	FLK-PVB 2/36		22 95 66 4	1		
3.2. General data	Max. perm. operating voltage (between two contacts)		250 V AC/DC				
	Max. perm. current per potential		30 A*				
	Perm. ambient temperature		-20 °C to +50 °C				
	Installation position		any				
	Connection cross section		supply	0.2-4 mm ² (24-12AWG)			
		distribution	0.2-2.5 mm ² (24-14AWG)				
	Potential connections		P1	2 input terminal blocks/18 distributor terminal blocks			
		P2	2 input terminal blocks/18 distributor terminal blocks				
	Input terminal blocks		Polyamide PA non-reinforced (green)				
	Housing (distributor terminal blocks)		PVC				
3.3. Standards/regulations	Air and creepage distances		IEC 60 664 (1980)/IEC 60 664A (1981) DIN VDE 0110 /(1.89) contamination class 2 surge voltage category III				

* max. residual current per potential, however no more than 16 A per distributor terminal block

Dimensional drawing FLK-PVB 2/48

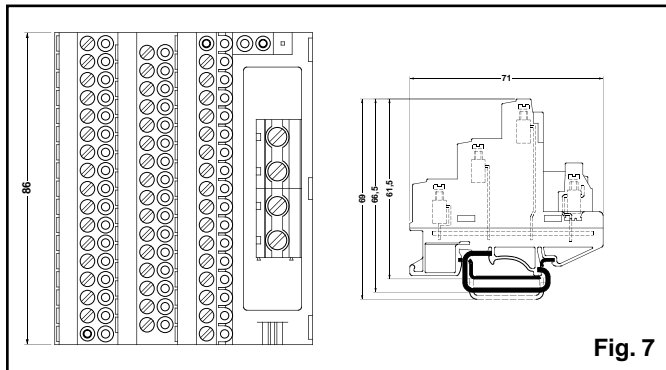


Fig. 7

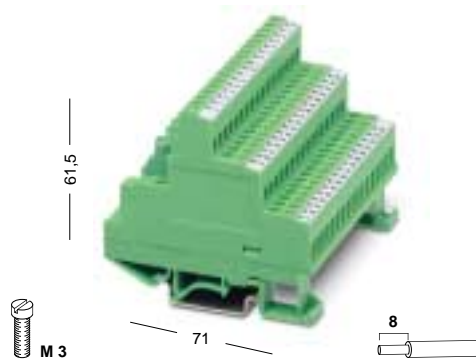


Fig. 8

4. Technical data

FLK-PVB 2/48

Potential distribution block

		(IEC) [mm ²]	rigid solid	flexible stranded	I AWG	U [V]
		Connection data:				
		Supply	0.2-6	0.2 -4	24-10	30* 250
		Distribution	0.2-4	0.2-2.5	24-12	30* 250
4.1. Description	Module width [mm]	Type		Order No.	Pcs. Pkt.	
VARIOFACE modules, with two common busbars for potential distribution, mounting on standard DIN-rail	86.0	FLK-PVB 2/48		22 95 67 7	1	
4.2. General data		Max. perm. operating voltage (between two contacts) 250 V AC/DC Max. permissible current per potential 30 A* Perm. ambient temperature -20 °C to +50 °C Installation position any Connection cross section supply 0.2-4 mm ² (24-12AWG) distribution 0.2-2.5 mm ² (24-14AWG) Potential connections P1 2 input terminal blocks/24 distributor terminal blocks P2 2 input terminal blocks/24 distributor terminal blocks Input terminal blocks Polyamide PA non-reinforced (green) Housing (distributor terminal blocks) PVC				
4.3. Standards/regulations		Air and creepage distances IEC 60 664 (1980)/IEC 60 664A (1981) DIN VDE 0110 /(1.89) contamination class 2 surge voltage category III				

* max. residual current per potential, however no more than 16 A per distributor terminal block