

- 1
- 2
- 3
- 4
- 5
- 6
- 7
- 8
- 9
- 10
- 11
- 12
- 13
- 14
- 15
- 16
- 17
- 18

MATERIAL

High-strength, reinforced phenolic based (PF) Duroplast, black colour, glossy finish.

REVOLVING HANDLE

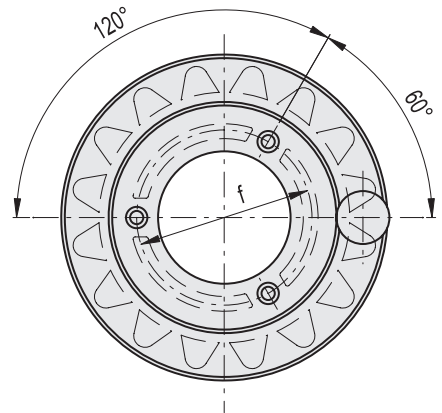
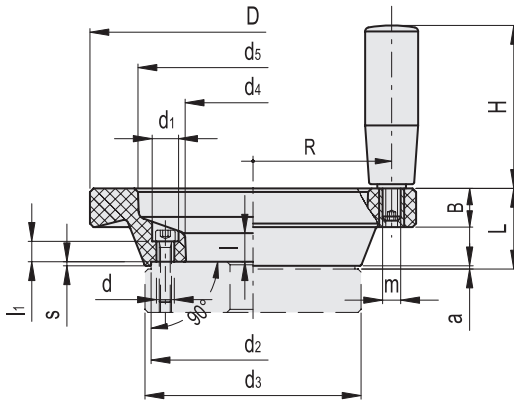
I.301+x (see page 664) in Duroplast.

FEATURES

This handwheel for metal flanges consists of a rim with rear finger grips and it can be coupled to a metal disc cut from rolled section. The handwheel is fitted to the metal disc by means of a centring shoulder (d2) and three cylindrical-head screws with hexagon socket.



ELESA Original design



Conversion Table

1 mm = 0.039 inch

D	
mm	inch
160	6.30
200	7.87

METRIC

Code	Description	D	d	L	B	d1	d2+0.2	d3	d4	d5	l	l1	H	m	R	a	f	s-0.2	Δ
71501	VDA.160+I	160	6.5	38	19	10.5	100	106	65	110	16	10	80	M8	68	0.5	86	2	520
71601	VDA.200+I	200	6.5	48	24	10.5	142.5	152	108	147	16	13	90	M10	87	0.5	127	2.5	900