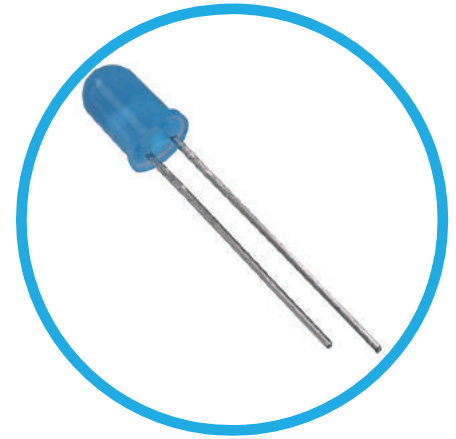
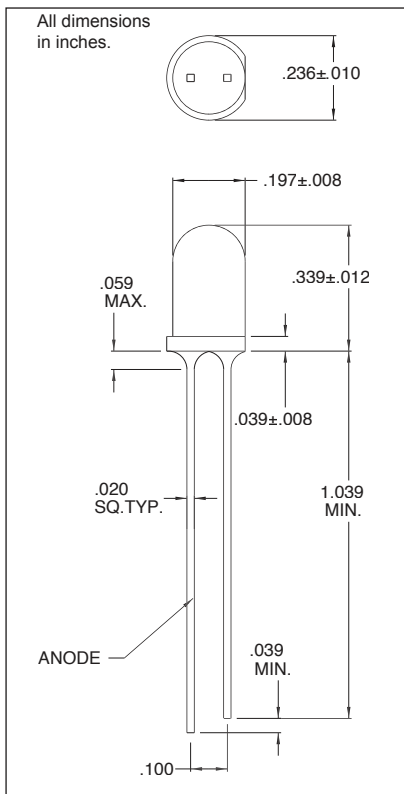




4304H6 Solid State LED Lamps High Brightness T-1 3/4 (5mm)



Description and Features



- T-1 3/4 LED
- Emitting Color: 466nm Blue
- Gallium Nitride
- White diffused lens
- High brightness

Electro-Optical Characteristics and Ratings

PART NUMBER	4304H6
Output Color	Super Blue
Diffusion	Diffused
Package Color	Clear
Rated Current (mA)	20
Forward Voltage Typ. (V)	3.8
Forward Voltage Max. (V)	4.5
Luminous Intensity Typ. (mcd)	500
Peak Wavelength (nm)	428
Dominant Wavelength (nm)	466
Viewing Angle 2θ 1/2 (degrees)	30
Power Dissipation (mW)	132
Forward Current (mA)	30
Reverse Breakdown Voltage (V)	5