

**COVERING WITH TREAD**

Vulcanised rubber; hardness 83 Shore A.

**WHEEL CENTRE BODY**

Consisting of two zinc-plated and riveted plate disks.

**ROLLING ACTION**

Polyamide-based technopolymer (PA) hub and boss, integral to the wheel centre body.

**FIXED PLATE BRACKET**

Zinc-plated steel sheet, the bracket is designed to withstand loads up to 2300N.

**TURNING PLATE BRACKET**

Zinc-plated steel sheet, the bracket is designed to withstand loads up to 2300N. The presence of a double ball race and direct contact between the plate and the ball race ring with built-in pin ensure excellent manoeuvrability. Does not require maintenance.

It consists of (see Fig.1):

1. fitting plate: electrolytically zinc-plated steel plate;
2. fork: electrolytically zinc-plated steel plate;
3. ball race ring: electrolytically zinc-plated steel plate;
4. central pin: incorporated in the plate, cold reflanged;
5. rotation system: dual grease-lubricated ball race;
6. dust seal: RAL 7015 dark grey technopolymer.

**BRAKE**

Total brake that locks the wheel and bracket rotation.

The optimised dimensions and the retractable pedal ensure minimal space occupied and maximum actuation ease.

Hardened carbon steel spring.

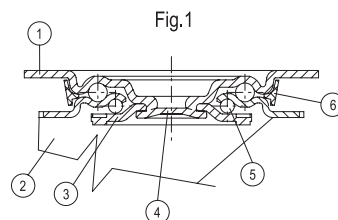
**STANDARD EXECUTIONS (BORE WITH PLAIN BEARING)**

- **PBL-N**: fixed plate bracket, without brake.
- **SBL-N**: turning plate bracket, without brake.
- **SBF-N**: turning plate bracket, with brake.
- **FBL-N**: turning plate bracket and centre pass-through hole, without brake.
- **FBF-N**: turning plate bracket and centre pass-through hole, with brake.

**APPLICATIONS**

RE.E3 wheels may be mounted on different kind of trolleys, with medium-light loads; they are also suitable for outdoor use. Typical applications: trolleys for industrial moving, for outdoor use also, waste dumpsters.

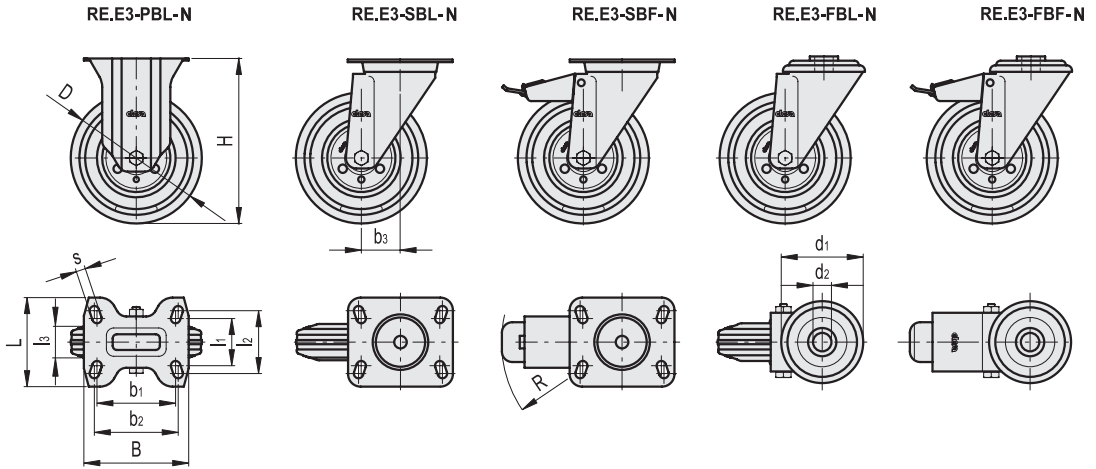
For further information see wheel technical data sheet RE.E3 (see page 1862).



- 1
- 2
- 3
- 4
- 5
- 6
- 7
- 8
- 9
- 10
- 11
- 12
- 13
- 14
- 15
- 16
- 17
- 18

**Conversion Table**  
1 mm = 0,039 inch

D	
mm	inch
80	3.15
100	3.94
125	4.92
150	5.91
180	7.09
200	7.87



**METRIC**

Code	Description	D	d1	d2	b1	l1	b2	l2	l3	H	B	L	s	b3	R	Rolling resistance# [N]	Dynamic carrying capacity# [N]	
450151	RE.E3-080-PBL-N	80	-	-	75	45	80	60	25	107	100	85	9	-	-	600	650	490
450156	RE.E3-100-PBL-N	100	-	-	75	45	80	60	30	128	100	85	9	-	-	750	800	620
450161	RE.E3-125-PBL-N	125	-	-	75	45	80	60	37.5	156	100	85	9	-	-	850	1300	920
450166	RE.E3-150-PBL-N	150	-	-	75	45	80	60	40	182	100	85	9	-	-	1000	1700	1220
450171	RE.E3-200-PBL-N	200	-	-	105	73	105	85	50	240	140	114	11	-	-	1400	2300	2890
450051	RE.E3-080-SBL-N	80	-	-	75	45	80	60	25	107	100	85	9	39	-	600	650	690
450056	RE.E3-100-SBL-N	100	-	-	75	45	80	60	30	128	100	85	9	35	-	750	800	820
450061	RE.E3-125-SBL-N	125	-	-	75	45	80	60	37.5	156	100	85	9	37	-	850	1300	1180
450066	RE.E3-150-SBL-N	150	-	-	75	45	80	60	40	182	100	85	9	37	-	1000	1700	1400
450071	RE.E3-200-SBL-N	200	-	-	105	73	105	87	50	240	140	110	11	56	-	1400	2300	3250
450101	RE.E3-080-SBF-N	80	-	-	75	45	80	60	25	107	100	85	9	39	120	600	650	870
450106	RE.E3-100-SBF-N	100	-	-	75	45	80	60	30	128	100	85	9	35	120	750	800	1000
450111	RE.E3-125-SBF-N	125	-	-	75	45	80	60	37.5	156	100	85	9	37	120	850	1300	1300
450116	RE.E3-150-SBF-N	150	-	-	75	45	80	60	40	182	100	85	9	37	120	1000	1700	1570
450121	RE.E3-200-SBF-N	200	-	-	105	73	105	87	50	240	140	110	11	56	156	1400	2300	3390
450201	RE.E3-080-FBL-N	80	73	12	-	-	-	-	25	107	-	-	-	39	-	600	650	690
450206	RE.E3-100-FBL-N	100	73	12	-	-	-	-	30	128	-	-	-	35	-	750	800	820
450211	RE.E3-125-FBL-N	125	73	12	-	-	-	-	37.5	156	-	-	-	37	-	850	1300	1180
450216	RE.E3-150-FBL-N	150	73	12	-	-	-	-	40	182	-	-	-	37	-	1000	1700	1400
450221	RE.E3-200-FBL-N	200	102	20	-	-	-	-	50	236	-	-	-	56	-	1400	2300	3250
450251	RE.E3-080-FBF-N	80	73	12	-	-	-	-	25	107	-	-	-	39	120	600	650	870
450256	RE.E3-100-FBF-N	100	73	12	-	-	-	-	30	128	-	-	-	35	120	750	800	1000
450261	RE.E3-125-FBF-N	125	73	12	-	-	-	-	37.5	156	-	-	-	37	120	850	1300	1300
450266	RE.E3-150-FBF-N	150	73	12	-	-	-	-	40	182	-	-	-	37	120	1000	1700	1570
450271	RE.E3-200-FBF-N	200	102	20	-	-	-	-	50	236	-	-	-	56	156	1400	2300	3390