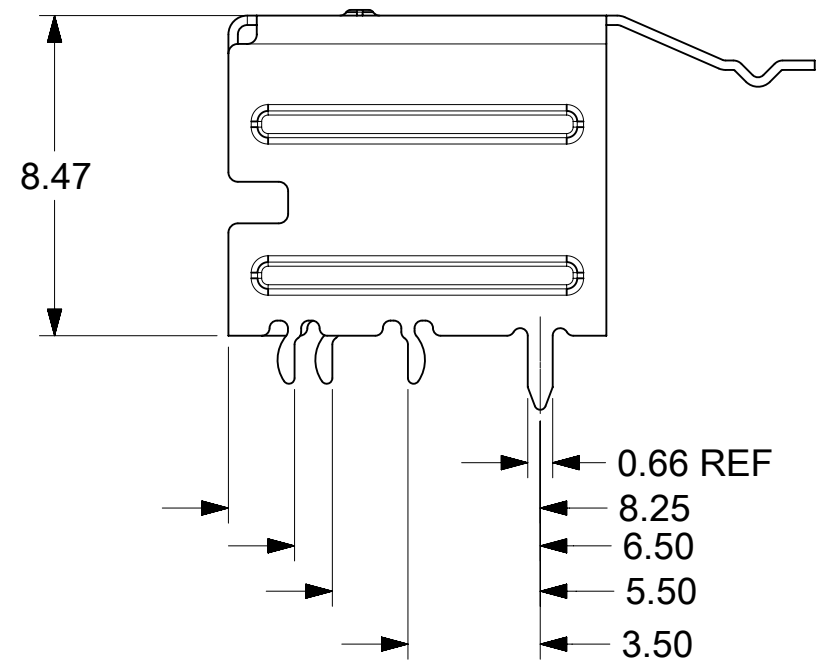
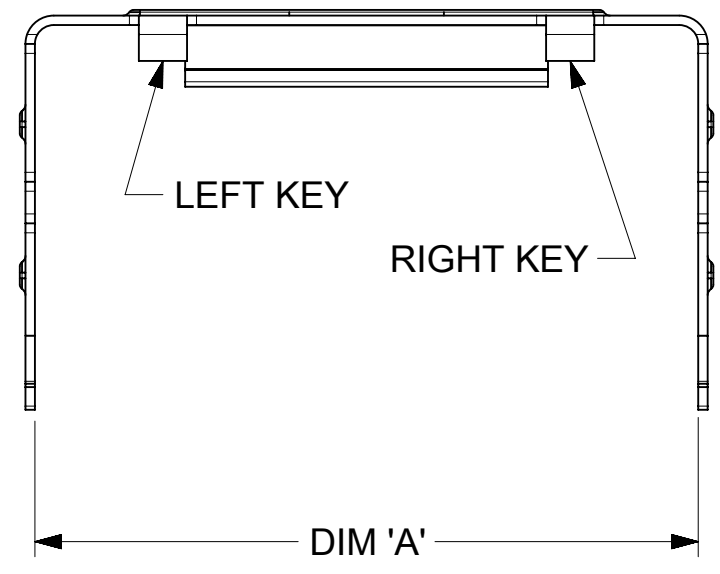
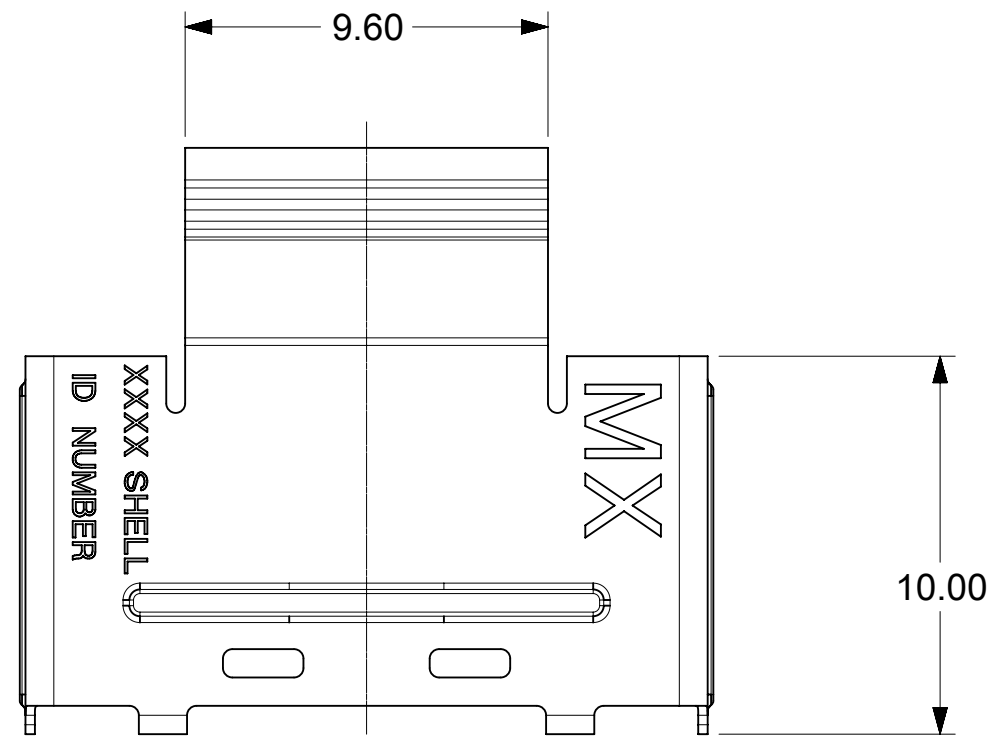
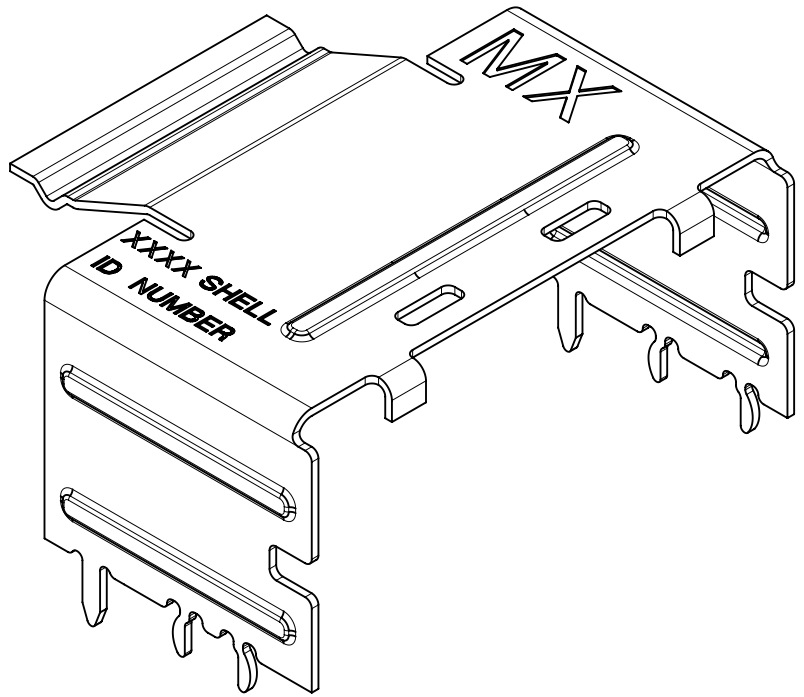


RETENTION FIT SHELL



ITEM NUMBER	CIRCUIT SIZE	DIM 'A'	KEY
76010-5000	26	13.55	LEFT
76010-5010	26	13.55	RIGHT
76010-5020	26	13.55	DUAL
76010-5100	36	17.55	LEFT
76010-5110	36	17.55	RIGHT
76010-5120	36	17.55	DUAL
76010-5030	26	13.55	UNIVERSAL
76010-5130	36	17.55	UNIVERSAL
76010-5200	50	23.15	LEFT
76010-5210	50	23.15	RIGHT
76010-5220	50	23.15	DUAL
76010-5300	68	30.35	LEFT
76010-5310	68	30.35	RIGHT
76010-5320	68	30.35	DUAL
76010-5230	50	23.15	UNIVERSAL
76010-5330	68	30.35	UNIVERSAL

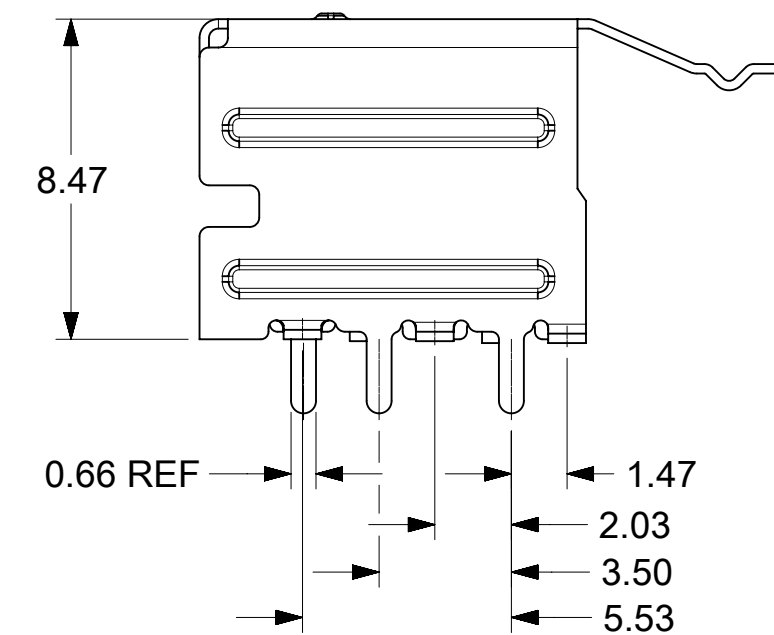
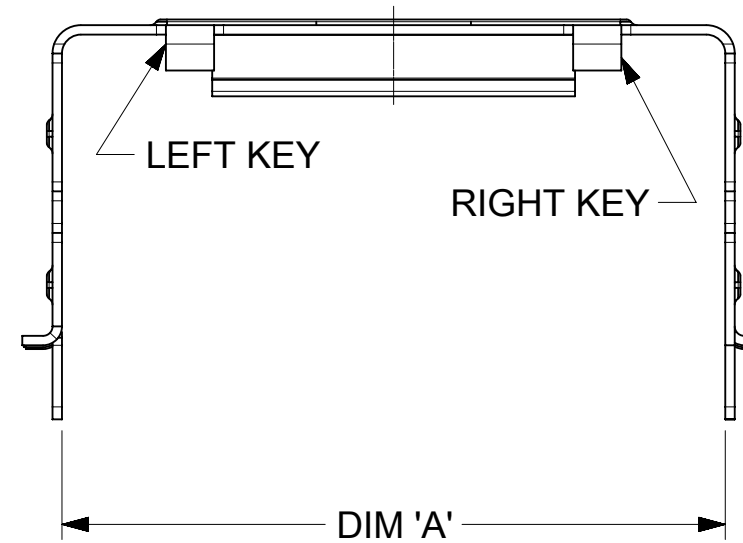
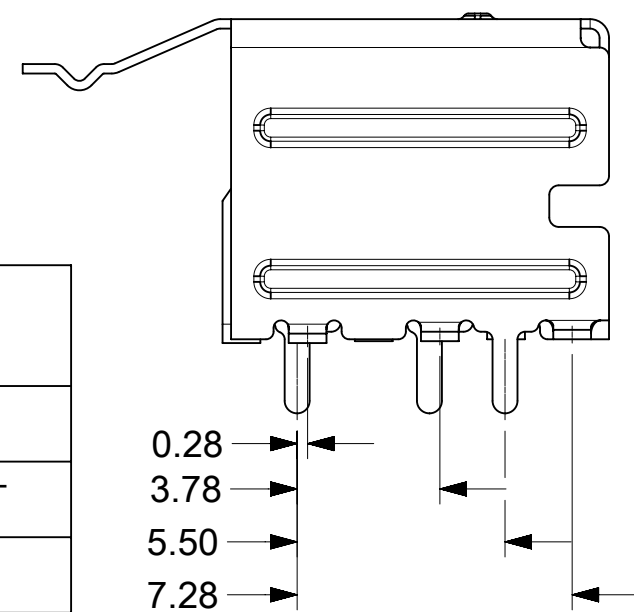
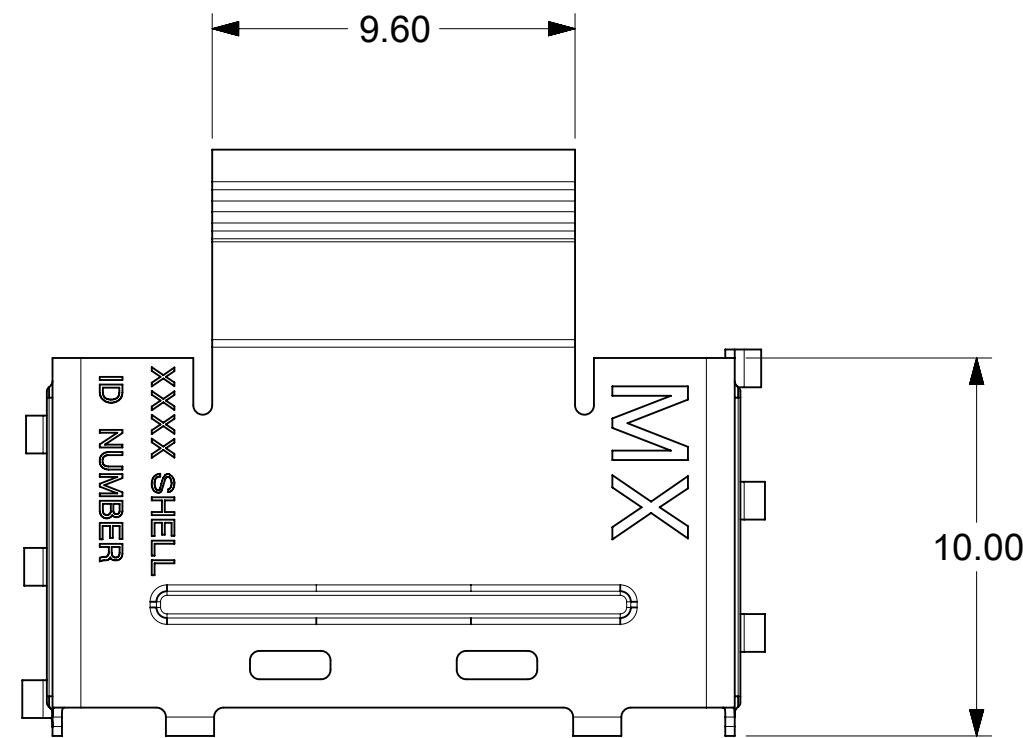
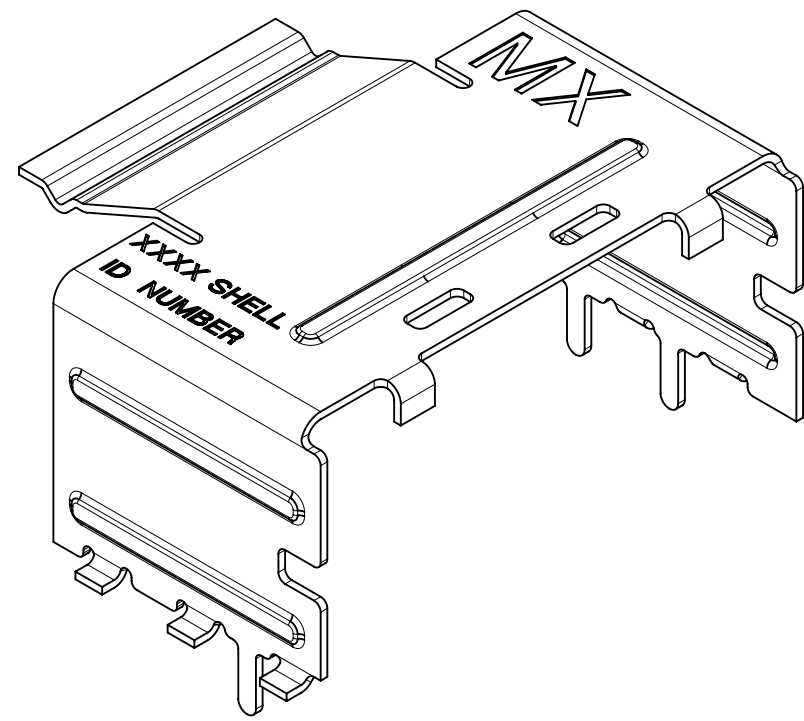
UNIVERSAL = NO KEY

- NOTES:
1. MATERIAL: SILVER NICKEL, THICKNESS: 0.250/0.254
 2. TO BE USED WITH CONNECTOR SERIES 75586, CABLE SERIES 79575/74563/79576/74573/79536/74562/74569/74586
 3. PACKAGED PER PACKAGING SPECIFICATION PK-76010-001
 4. DATE CODE WILL APPEAR ON SHIPPING CARTON ONLY

iPass™ IS A TRADEMARK OF MOLEX

THIS DRAWING CONTAINS INFORMATION THAT IS PROPRIETARY TO MOLEX ELECTRONIC TECHNOLOGIES, LLC AND SHOULD NOT BE USED WITHOUT WRITTEN PERMISSION			
DIMENSION UNITS		SCALE	
MM		5:1	
CURRENT REV DESC:			
GENERAL TOLERANCES (UNLESS SPECIFIED)		EC NO: 620216	
		DRWN: AKUMAR19 2018/06/21	
		CHK'D: GGA 2019/07/09	
		APPR: GGA 2019/07/09	
		INITIAL REVISION:	
		DRWN: JLSWENSON 2006/02/16	
		APPR: MBANAKIS 2006/02/16	
ANGULAR TOL ± 0.5°		THIRD ANGLE PROJECTION	
DRAFT WHERE APPLICABLE MUST REMAIN WITHIN DIMENSIONS		DRAWING SERIES	
		C-SIZE 76010	
DOCUMENT NUMBER		DOC TYPE DOC PART REVISION	
SD-76010-001		PSD 001 D	
MATERIAL NUMBER		CUSTOMER	
SEE TABLE		GENERAL MARKET	
SHEET NUMBER		1 OF 7	

SMT SHELL



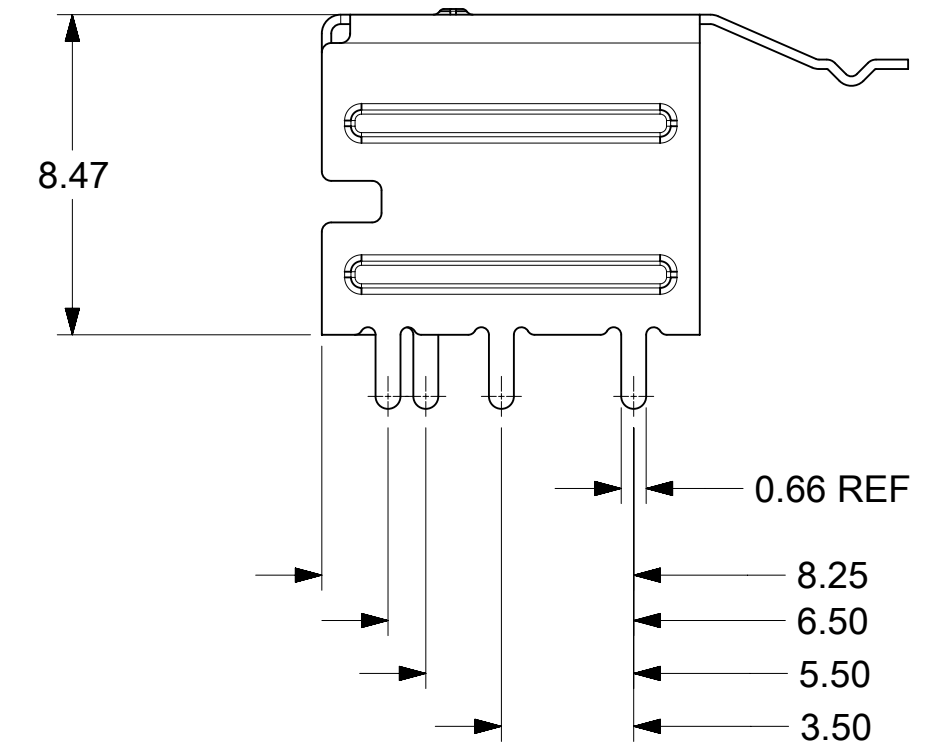
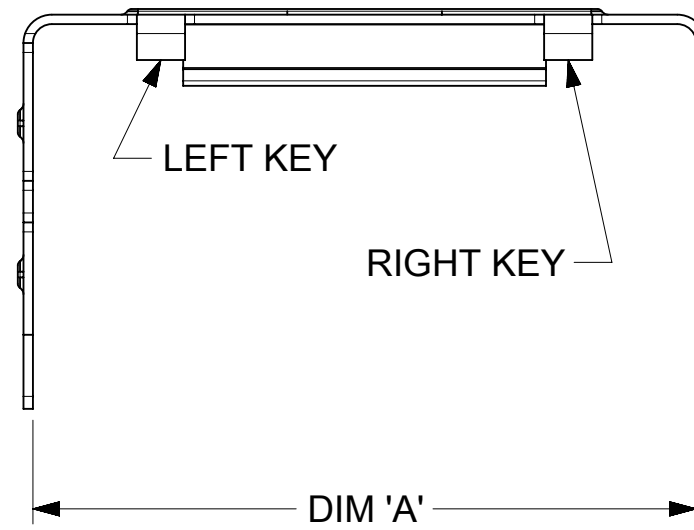
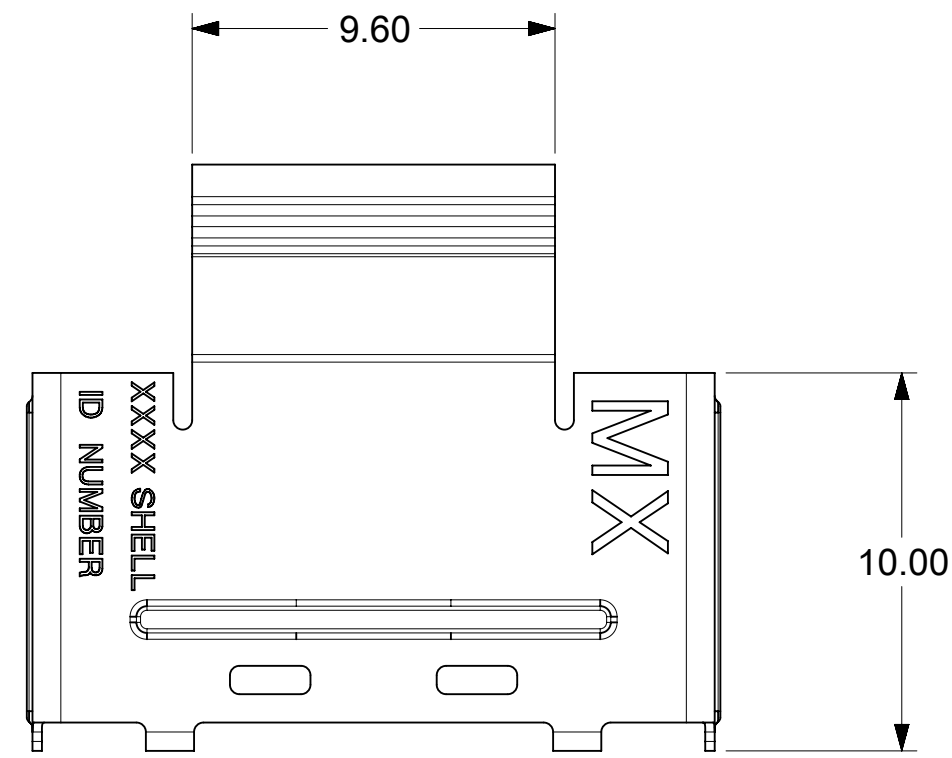
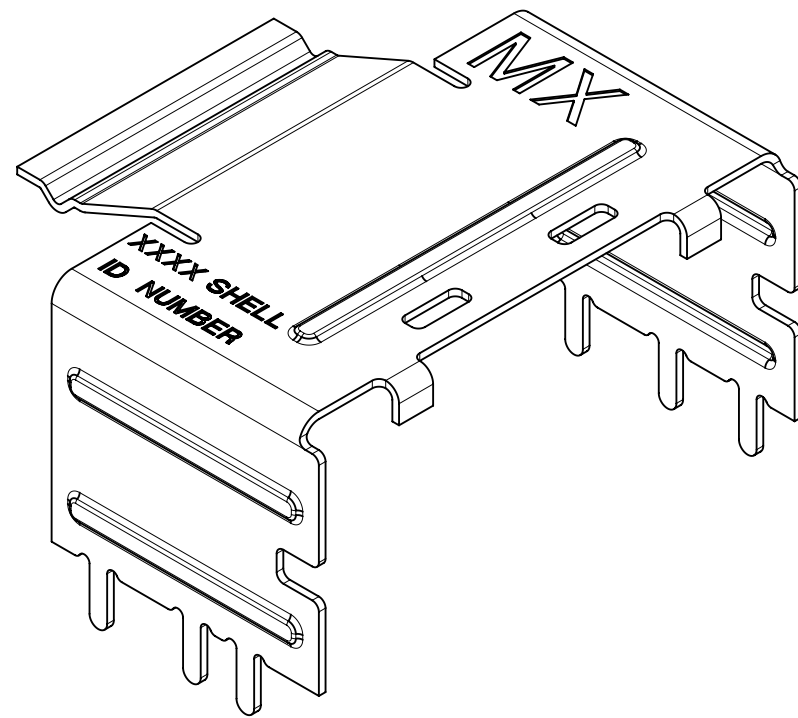
ITEM NUMBER	CIRCUIT SIZE	DIM 'A'	KEY
76010-5001	26	13.55	LEFT
76010-5011	26	13.55	RIGHT
76010-5021	26	13.55	DUAL
76010-5101	36	17.55	LEFT
76010-5111	36	17.55	RIGHT
76010-5121	36	17.55	DUAL
76010-5131	36	17.55	UNIVERSAL
76010-5201	50	23.15	LEFT
76010-5211	50	23.15	RIGHT
76010-5221	50	23.15	DUAL
76010-5301	68	30.35	LEFT
76010-5311	68	30.35	RIGHT
76010-5321	68	30.35	DUAL
76010-5231	50	23.15	UNIVERSAL
76010-5331	68	30.35	UNIVERSAL

UNIVERSAL = NO KEY

iPass™ IS A TRADEMARK OF MOLEX

THIS DRAWING CONTAINS INFORMATION THAT IS PROPRIETARY TO MOLEX ELECTRONIC TECHNOLOGIES, LLC AND SHOULD NOT BE USED WITHOUT WRITTEN PERMISSION											
DIMENSION UNITS		SCALE		CURRENT REV DESC:							
MM		5:1									
GENERAL TOLERANCES (UNLESS SPECIFIED)				EC NO: 620216		DRWN: AKUMAR19		2018/06/21		I-PASS SHELL RIGHT ANGLE INTERNAL CABLE	
				CHK'D: GGA		2019/07/09					
4 PLACES ±				APPR: GGA		2019/07/09		PRODUCT CUSTOMER DRAWING			
3 PLACES ± 0.13				INITIAL REVISION:		DRWN: JLSWENSON		2006/02/16		DOCUMENT NUMBER	
2 PLACES ± 0.13				APPR: MBANAKIS		2006/02/16		SD-76010-001		DOC TYPE DOC PART REVISION	
1 PLACE ± 0.25				THIRD ANGLE PROJECTION		DRAWING		SERIES		MATERIAL NUMBER	
0 PLACES ±				DRAFT WHERE APPLICABLE MUST REMAIN WITHIN DIMENSIONS		C-SIZE		76010		CUSTOMER	
ANGULAR TOL ± 0.5°										SHEET NUMBER	
										GENERAL MARKET	
										2 OF 7	

THROUGH HOLE SHELL (PART NUMBERS ON SHEET 4)



iPass™ IS A TRADEMARK OF MOLEX

THIS DRAWING CONTAINS INFORMATION THAT IS PROPRIETARY TO MOLEX ELECTRONIC TECHNOLOGIES, LLC AND SHOULD NOT BE USED WITHOUT WRITTEN PERMISSION													
DIMENSION UNITS		SCALE		CURRENT REV DESC:									
MM		5:1		molex I-PASS SHELL RIGHT ANGLE INTERNAL CABLE PRODUCT CUSTOMER DRAWING									
GENERAL TOLERANCES (UNLESS SPECIFIED)										EC NO: 620216		2018/06/21	
4 PLACES		±								DRWN: AKUMAR19		2019/07/09	
3 PLACES		± 0.13								CHK'D: GGA		2019/07/09	
2 PLACES		± 0.13								APPR: GGA		2019/07/09	
1 PLACE		± 0.25		INITIAL REVISION:									
0 PLACES		±		DRWN: JLSWENSON		2006/02/16		DOCUMENT NUMBER					
ANGULAR TOL		± 0.5 °		APPR: MBANAKIS		2006/02/16		SD-76010-001					
DRAFT WHERE APPLICABLE MUST REMAIN WITHIN DIMENSIONS				THIRD ANGLE PROJECTION		DRAWING		SERIES					
						C-SIZE		76010					
								MATERIAL NUMBER					
								SEE TABLE					
								CUSTOMER					
								GENERAL MARKET					
								SHEET NUMBER					
								3 OF 7					

DOCUMENT STATUS	P1	RELEASE DATE	2019/07/09	04:16:27
-----------------	----	--------------	------------	----------


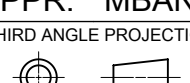
THROUGH HOLE SHELL (PART NUMBERS)

ITEM NUMBER	CIRCUIT SIZE	DIM 'A'	DIM 'B'	KEY
76010-5002	26	13.55	1.96	LEFT
76010-5012	26	13.55	1.96	RIGHT
76010-5022	26	13.55	1.96	DUAL
76010-5102	36	17.55	1.96	LEFT
76010-5112	36	17.55	1.96	RIGHT
76010-5122	36	17.55	1.96	DUAL
76010-5132	36	17.55	1.96	UNIVERSAL
76010-5103	36	17.55	2.79	LEFT
76010-5113	36	17.55	2.79	RIGHT
76010-5123	36	17.55	2.79	DUAL
76010-5133	36	17.55	2.79	UNIVERSAL
76010-5104	36	17.55	3.18	LEFT
76010-5114	36	17.55	3.18	RIGHT
76010-5124	36	17.55	3.18	DUAL
76010-5134	36	17.55	3.18	UNIVERSAL
76010-5141	36	17.55	3.56	LEFT
76010-5151	36	17.55	3.56	RIGHT
76010-5161	36	17.55	3.56	DUAL
76010-5171	36	17.55	3.56	UNIVERSAL
76010-5202	50	23.15	1.96	LEFT
76010-5212	50	23.15	1.96	RIGHT
76010-5222	50	23.15	1.96	DUAL
76010-5302	68	30.35	1.96	LEFT
76010-5312	68	30.35	1.96	RIGHT
76010-5322	68	30.35	1.96	DUAL
76010-5232	50	23.15	1.96	UNIVERSAL
76010-5332	68	30.35	1.96	UNIVERSAL

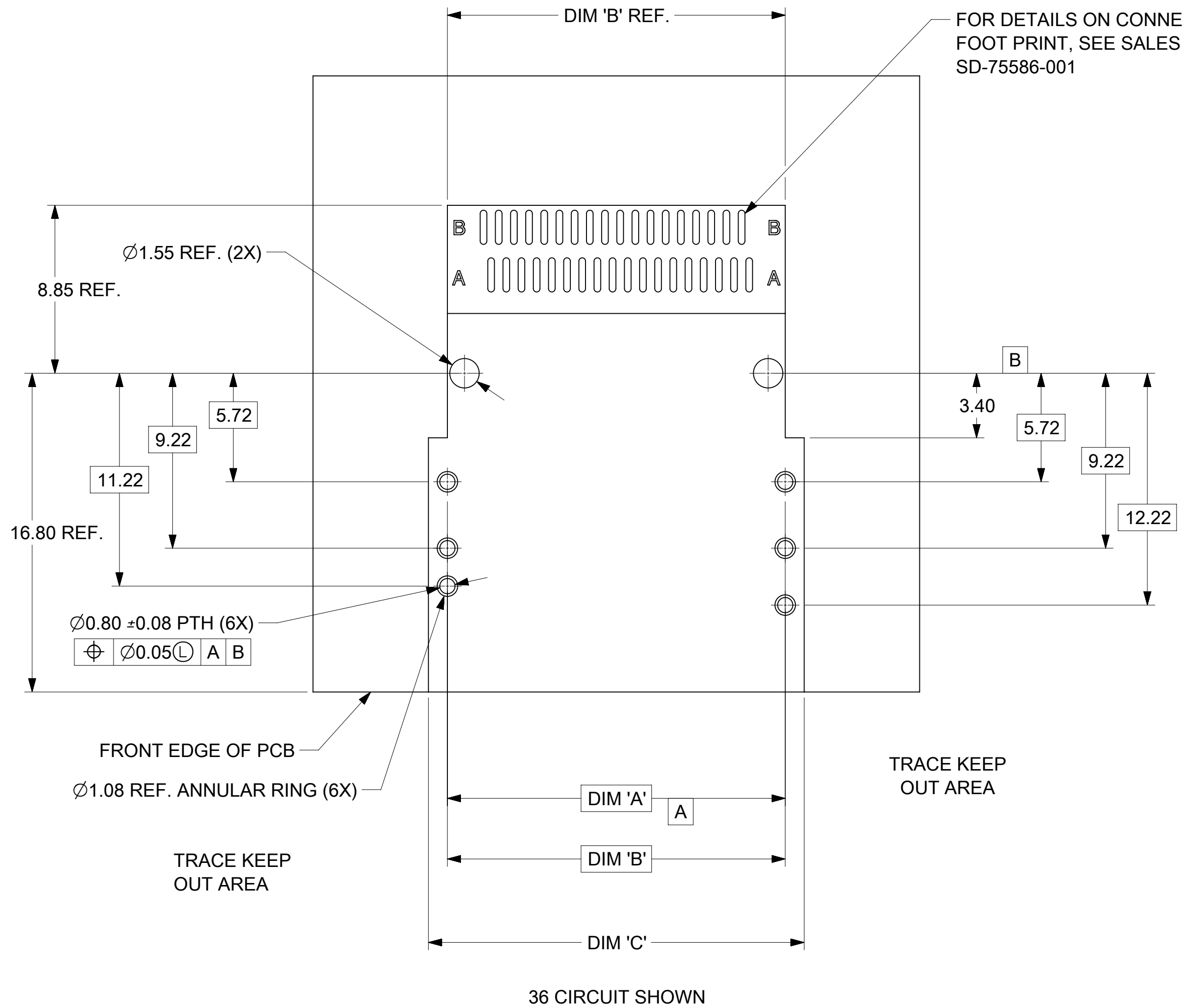
ITEM NUMBER	CIRCUIT SIZE	DIM 'A'	DIM 'B'	KEY
76010-5003	26	13.55	2.79	LEFT
76010-5013	26	13.55	2.79	RIGHT
76010-5023	26	13.55	2.79	DUAL
76010-5033	26	13.55	2.79	UNIVERSAL
76010-5004	26	13.55	3.18	LEFT
76010-5014	26	13.55	3.18	RIGHT
76010-5024	26	13.55	3.18	DUAL
76010-5034	26	13.55	3.18	UNIVERSAL
76010-5203	50	23.15	2.79	LEFT
76010-5213	50	23.15	2.79	RIGHT
76010-5223	50	23.15	2.79	DUAL
76010-5233	50	23.15	2.79	UNIVERSAL
76010-5204	50	23.15	3.18	LEFT
76010-5214	50	23.15	3.18	RIGHT
76010-5224	50	23.15	3.18	DUAL
76010-5234	50	23.15	3.18	UNIVERSAL
76010-5303	68	30.35	2.79	LEFT
76010-5313	68	30.35	2.79	RIGHT
76010-5323	68	30.35	2.79	DUAL
76010-5333	68	30.35	2.79	UNIVERSAL
76010-5304	68	30.35	3.18	LEFT
76010-5314	68	30.35	3.18	RIGHT
76010-5324	68	30.35	3.18	DUAL
76010-5334	68	30.35	3.18	UNIVERSAL

UNIVERSAL = NO KEY

iPass™ IS A TRADEMARK OF MOLEX

THIS DRAWING CONTAINS INFORMATION THAT IS PROPRIETARY TO MOLEX ELECTRONIC TECHNOLOGIES, LLC AND SHOULD NOT BE USED WITHOUT WRITTEN PERMISSION									
DIMENSION UNITS		SCALE		CURRENT REV DESC:					
MM		1:1							
GENERAL TOLERANCES (UNLESS SPECIFIED)				EC NO: 620216		2018/06/21		I-PASS SHELL RIGHT ANGLE INTERNAL CABLE PRODUCT CUSTOMER DRAWING	
4 PLACES		±		DRWN: AKUMAR19		2019/07/09			
3 PLACES		± 0.13		CHK'D: GGA		2019/07/09			
2 PLACES		± 0.13		APPR: GGA		2019/07/09		DOCUMENT NUMBER	
1 PLACE		± 0.25		INITIAL REVISION:				SD-76010-001	
0 PLACES		±		DRWN: JLSWENSON		2006/02/16		DOC TYPE	
ANGULAR TOL		± 0.5 °		APPR: MBANAKIS		2006/02/16		DOC PART	
DRAFT WHERE APPLICABLE MUST REMAIN WITHIN DIMENSIONS				THIRD ANGLE PROJECTION		DRAWING		REVISION	
						C-SIZE		SERIES	
						76010		MATERIAL NUMBER	
								CUSTOMER	
								GENERAL MARKET	
								SHEET NUMBER	
								4 OF 7	

RIGHT ANGLE RETENTION FIT AND THROUGH HOLE SHELL PCB FOOT PRINT

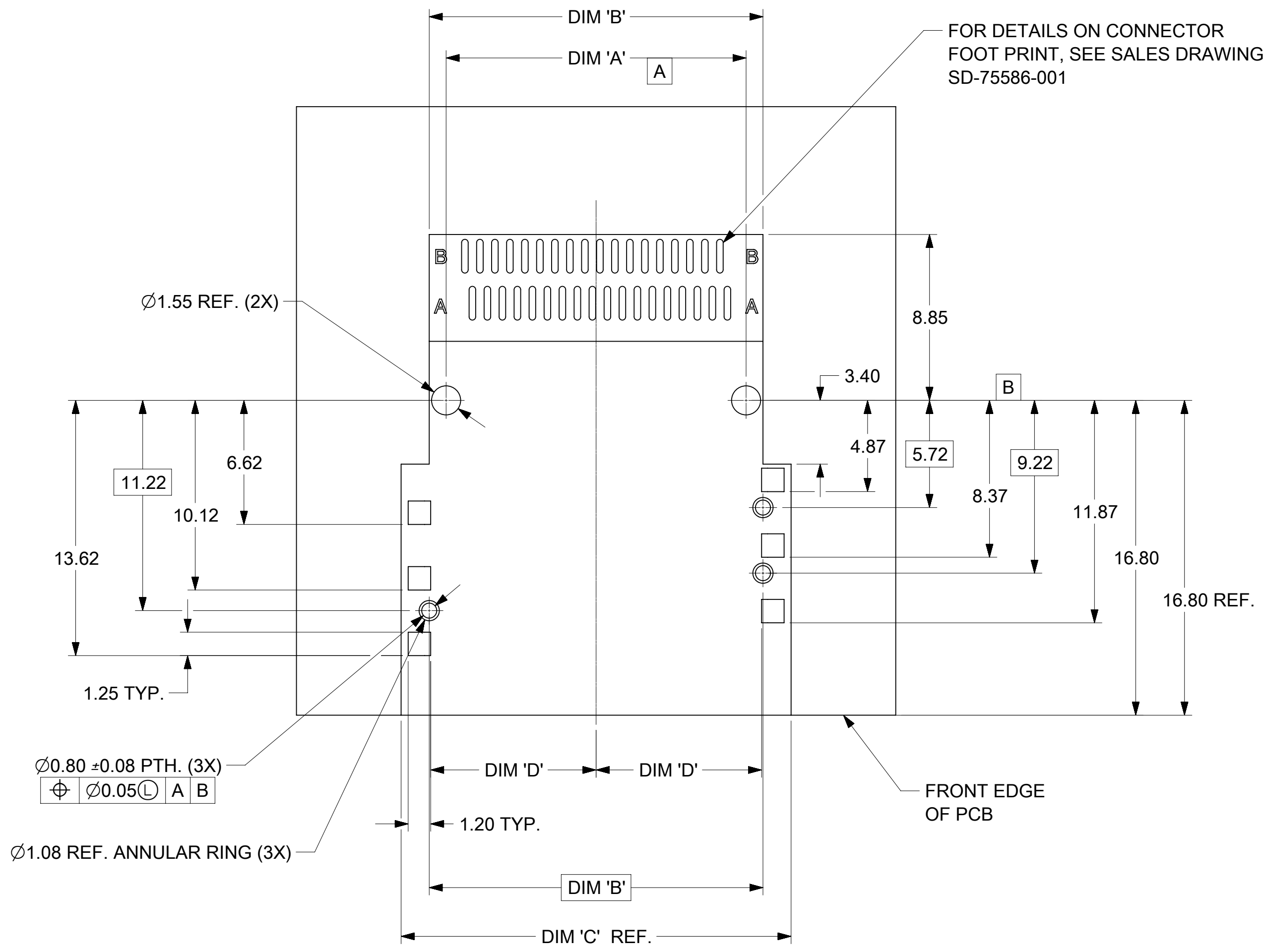


CIRCUIT SIZE	CONNECTOR PEG TO PEG		
	DIM 'A'	DIM 'B'	DIM 'C'
26	12.00	13.80	16.80
36	16.00	17.80	20.80
50	21.60	23.40	25.40
68	28.80	30.60	32.60

iPass™ IS A TRADEMARK OF MOLEX

THIS DRAWING CONTAINS INFORMATION THAT IS PROPRIETARY TO MOLEX ELECTRONIC TECHNOLOGIES, LLC AND SHOULD NOT BE USED WITHOUT WRITTEN PERMISSION												
DIMENSION UNITS	SCALE	CURRENT REV DESC:										
MM	5:1	molex										
GENERAL TOLERANCES (UNLESS SPECIFIED)		I-PASS SHELL RIGHT ANGLE INTERNAL CABLE										
		PRODUCT CUSTOMER DRAWING										
4 PLACES	±	EC NO: 620216		2018/06/21		DOCUMENT NUMBER		DOC TYPE		DOC PART		REVISION
3 PLACES	±	DRWN: AKUMAR19		2019/07/09		SD-76010-001		PSD		001		D
2 PLACES	±	CHK'D: GGA		2019/07/09		MATERIAL NUMBER		CUSTOMER		SHEET NUMBER		
1 PLACE	±	APPR: GGA		2019/07/09		SEE TABLE		GENERAL MARKET		5 OF 7		
0 PLACES	±	INITIAL REVISION:		2006/02/16		DRAWING		SERIES				
ANGULAR TOL	±	DRWN: JLSWENSON		2006/02/16		C-SIZE		76010				
		APPR: MBANAKIS				THIRD ANGLE PROJECTION						
DRAFT WHERE APPLICABLE MUST REMAIN WITHIN DIMENSIONS		THIRD ANGLE PROJECTION		DRAWING		SERIES						

RIGHT ANGLE SMT SHELL PCB FOOT PRINT



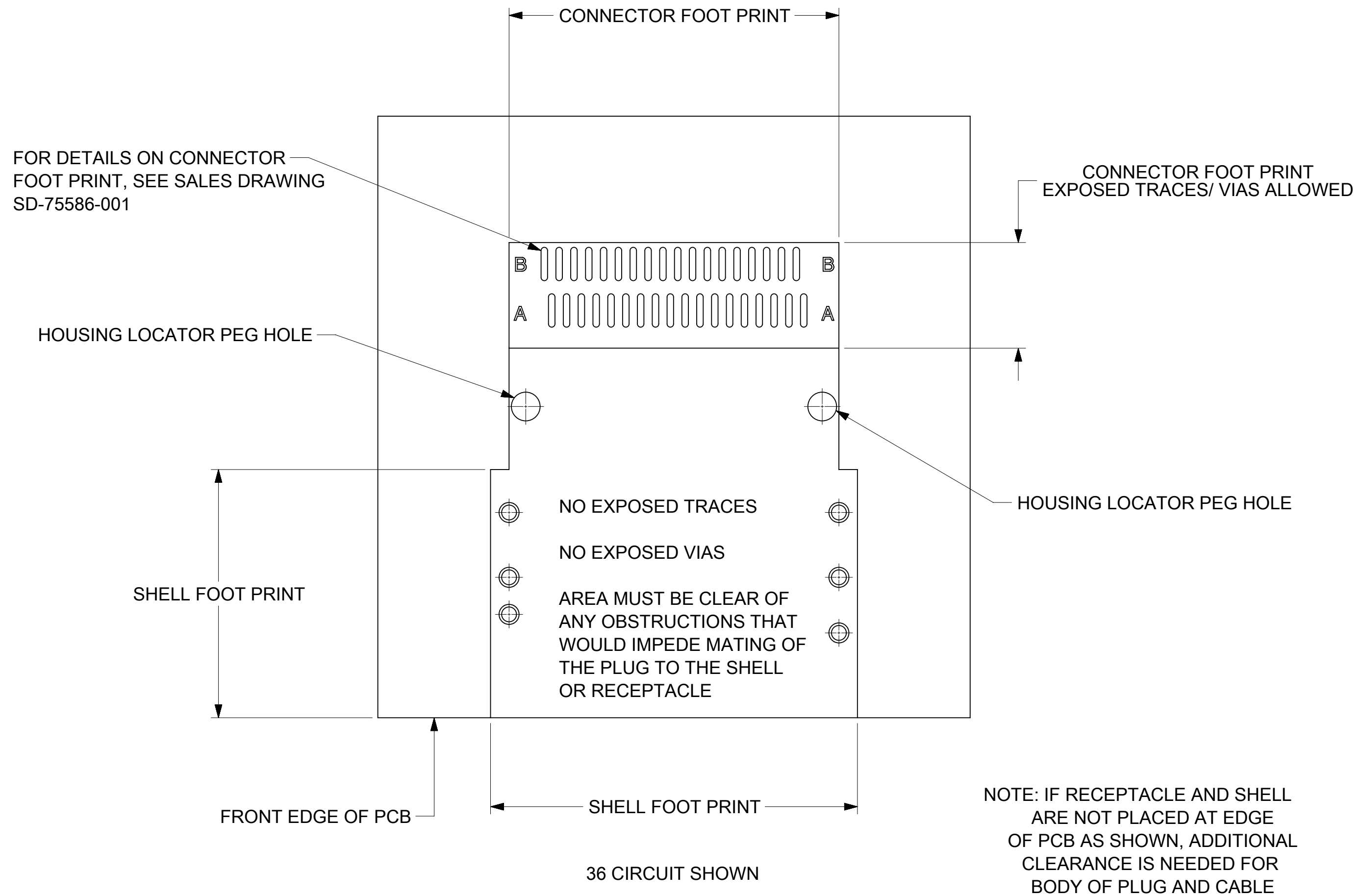
CIRCUIT SIZE	DIMENSIONS			
	CONNECTOR PEG TO PEG	SHELL PEG TO PEG	SHELL FOOT PRINT WIDTH	CENTERLINE TO PAD EDGE
26	DIM 'A'	DIM 'B'	DIM 'C'	DIM 'D'
36	12.00	13.80	16.80	6.825
50	16.00	17.80	20.80	8.825
68	21.60	23.40	26.40	11.625

36 CIRCUIT SHOWN

iPass™ IS A TRADEMARK OF MOLEX

THIS DRAWING CONTAINS INFORMATION THAT IS PROPRIETARY TO MOLEX ELECTRONIC TECHNOLOGIES, LLC AND SHOULD NOT BE USED WITHOUT WRITTEN PERMISSION									
DIMENSION UNITS MM		SCALE 5:1		CURRENT REV DESC:				molex	
GENERAL TOLERANCES (UNLESS SPECIFIED)				EC NO: 620216					
				DRWN: AKUMAR19		2018/06/21		I-PASS SHELL RIGHT ANGLE INTERNAL CABLE	
				CHK'D: GGA		2019/07/09			
				APPR: GGA		2019/07/09		PRODUCT CUSTOMER DRAWING	
				INITIAL REVISION:					
				DRWN: JLSWENSON		2006/02/16		DOCUMENT NUMBER SD-76010-001	
				APPR: MBANAKIS		2006/02/16			
				THIRD ANGLE PROJECTION		DRAWING		DOC TYPE PSD	
				C-SIZE		SERIES 76010			
DRAFT WHERE APPLICABLE MUST REMAIN WITHIN DIMENSIONS				MATERIAL NUMBER SEE TABLE		CUSTOMER GENERAL MARKET		DOC PART 001	
				SHEET NUMBER 6 OF 7				REVISION D	

RIGHT ANGLE SHELL PCB FOOT PRINT DESCRIPTIONS



iPass™ IS A TRADEMARK OF MOLEX

THIS DRAWING CONTAINS INFORMATION THAT IS PROPRIETARY TO MOLEX ELECTRONIC TECHNOLOGIES, LLC AND SHOULD NOT BE USED WITHOUT WRITTEN PERMISSION									
DIMENSION UNITS	SCALE		CURRENT REV DESC:					molex	
MM	5:1								
GENERAL TOLERANCES (UNLESS SPECIFIED)					EC NO: 620216 DRWN: AKUMAR19 2018/06/21 CHK'D: GGA 2019/07/09 APPR: GGA 2019/07/09 INITIAL REVISION: DRWN: JLSWENSON 2006/02/16 APPR: MBANAKIS 2006/02/16			I-PASS SHELL RIGHT ANGLE INTERNAL CABLE	
4 PLACES	±		MM	INCH				PRODUCT CUSTOMER DRAWING	
3 PLACES	±	0.13						DOCUMENT NUMBER	
2 PLACES	±	0.13						SD-76010-001	
1 PLACE	±	0.25						DOC TYPE	
0 PLACES	±							PSD	
ANGULAR TOL ± 0.5°					DOC PART		REVISION		
DRAFT WHERE APPLICABLE MUST REMAIN WITHIN DIMENSIONS			THIRD ANGLE PROJECTION		DRAWING		SERIES		
			C-SIZE		76010		SHEET NUMBER		
					MATERIAL NUMBER		CUSTOMER		
					SEE TABLE		GENERAL MARKET		
					7 OF 7				