



# T1 TIMER (Delay On Make)

T1K-AVGTMR-xxx

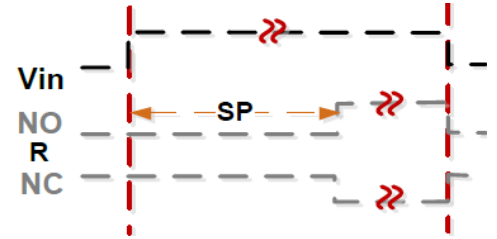


## Timer Features:

- Microcontroller based timing
- Remaining/Elapsed Time Display
- Optional Password protection for unit/range
- Set time range from 0.01 sec to 999 hours
- Digital setting with 1% resolution, 1% Absolute Accuracy, and 1% Repeat Accuracy

## Timer Function:

When input power is applied, the programmed timer delay (SP) begins. At the end of the time delay, the Relay (R) energizes (contacts transfer) and remains energized as long as input power is supplied. The timer and the Relay are reset on loss of power.



## TECHNICAL DATA

### TIME DELAY

**Range:** Depends on the Time Unit

- S\_EC* 0.01 - 9.99 seconds
- SEC* 1-999 seconds
- min* 1-999 minutes
- Hr* 1-999 hours

**Repeat Accuracy:** +/-1% or 20 ms, whichever is greater

**Reset Time:** 5 ms max. (2 ms typical)

### INPUT

#### Operating Voltage:

120, 240 VAC; 12, 24 VDC ±10%  
(Unfiltered input voltage to DC Models must be full-wave rectified)

**Power Consumption:** 3 VA max.

**Frequency:** 50/60 Hz

### OUTPUT

**Type:** Relay contacts

**Form:** DPDT (Double Pole Double Throw), 2 form C

**Rating:** 7A max. Resistive at 250 VAC; 100 mA at 5 VDC min. load current

**Life (Number of Operations):**

- Mechanical: 1 x 10<sup>7</sup>
- Electrical: 1 x 10<sup>5</sup>

## ENVIRONMENTAL

**Storage Temperature:** -50°C to 150°C

**Operating Temperature:** -20°C to 60°C

### PROTECTION

**Dielectric Breakdown:** 2000 VAC, RMS min. at 60 Hz between input and outputs and 1000VAC between outputs

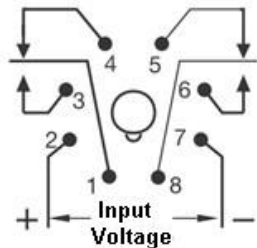
**Polarity:** DC units are reverse polarity protected

## MECHANICAL DATA – WIRING AND DIMENSIONS

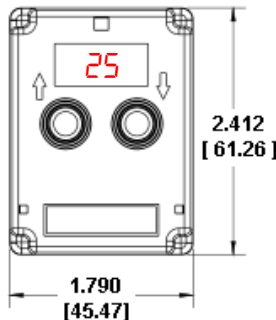
**Termination:** 8-pin plug

**Mounting type:** Socket Mount

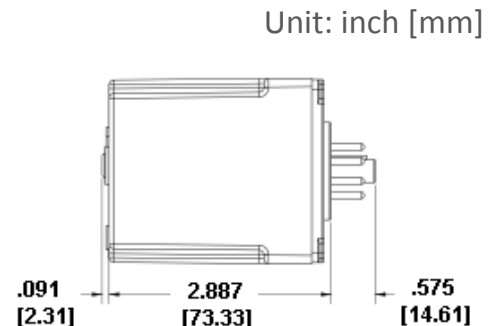
**Dimensions:** 1.790 x 2.887 x 2.412 in.



8-PIN CONFIGURATION



FRONT VIEW



SIDE VIEW

Unit: inch [mm]

## HOW TO ORDER

Timers

**12 VDC Input:**

**T1K-AVGTMR-466**

**24 VDC Input:**

**T1K-AVGTMR-462**

**120 VAC Input:**

**T1K-AVGTMR-461**

**240 VAC Input:**

**T1K-AVGTMR-465**



Socket: All models require an 8-pin socket listed below:

**8 Pin Socket:**

**AVG-TMRSKT-8PIN**





# T1 TIMER (Delay On Make)

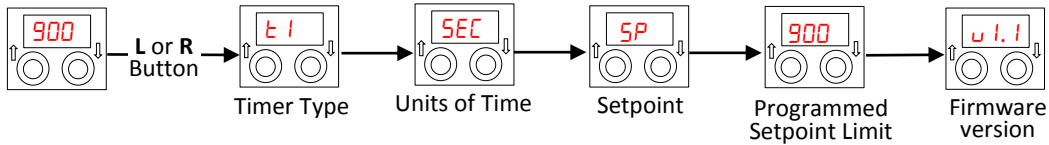
T1K-AVGTMR-xxx

## Operation and Programming

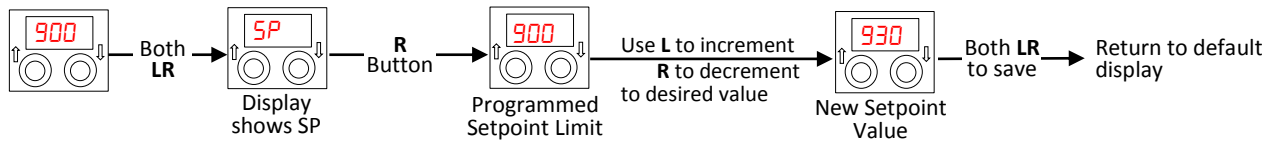
Timer has two buttons and a 3 digit display for programming. The following button actions are used in programming:

- Pressing Left (L) or ↑ button increments a value or moves from one parameter to another.
- Pressing Right (R) or ↓ button decrements a value or selects a parameter to edit.
- Pressing Both Left and Right (LR) button saves the displayed value and/or advances timer to next parameter.
- Pressing Left (L) or Right (R) from the default display will prompt timer to scroll through programmed values.

### View Programmed Values:



### Adjust Setpoint:



### Programming Mode:

