

LTCC Bandpass Filter

BFCN-3085A+

50Ω 2800 to 3400 MHz

The Big Deal

- Small size 3.2mm x 1.6mm
- Pass band (2800-3400 MHz)
- Low Insertion Loss (1.5 dB typical)
- Over 50 dB rejection up to 500 MHz



CASE STYLE: FV1206

Product Overview

The BFCN-3085A+ LTCC Band Pass Filter is constructed with multiple layers in order to achieve a miniature size and high repeatability of performance. Wrap-around terminations minimize variations in performance due to parasitics. Covering 600 MHz passband, these units offer low insertion loss and good rejection.

Key Features

Feature	Advantages
Small Size (3.20mm x1.6 mm)	Allows for high layout density of circuit boards, while minimizing affects of parasitics.
Wrap around termination	Provides excellent solderability and easy visual inspection capability.
LTCC construction	Provides a rugged package that is well suited for tough environments including high humidity and high temperature extremes.

Notes

- A. Performance and quality attributes and conditions not expressly stated in this specification document are intended to be excluded and do not form a part of this specification document.
B. Electrical specifications and performance data contained in this specification document are based on Mini-Circuit's applicable established test performance criteria and measurement instructions.
C. The parts covered by this specification document are subject to Mini-Circuits standard limited warranty and terms and conditions (collectively, "Standard Terms"); Purchasers of this part are entitled to the rights and benefits contained therein. For a full statement of the Standard Terms and the exclusive rights and remedies thereunder, please visit Mini-Circuits' website at www.minicircuits.com/MCLStore/terms.jsp



Bandpass Filter

BFCN-3085A+

50Ω 2800 to 3400 MHz



CASE STYLE: FV1206

Maximum Ratings

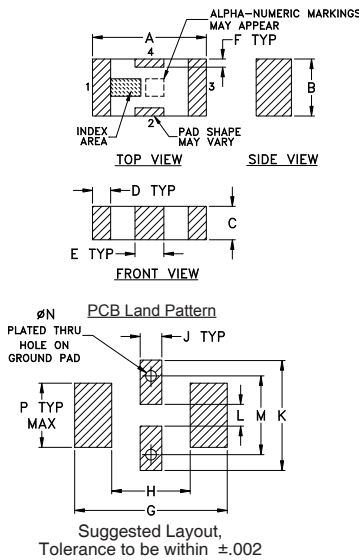
Operating Temperature	-55°C to 100°C
Storage Temperature	-55°C to 100°C
RF Power Input*	1.5W max. at 25°C

*Passband rating, derate linearly to 0.25W at 100°C ambient
Permanent damage may occur if any of these limits are exceeded.

Pad Connections

RF IN	1
RF OUT	3
GROUND	2,4

Outline Drawing

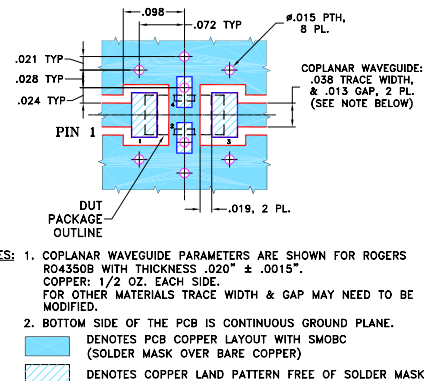


Outline Dimensions (inch/mm)

A	B	C	D	E	F	G
.126	.063	.037	.020	.032	.009	.169
3.20	1.60	0.94	0.51	0.81	0.23	4.29

H	J	K	L	M	N	P	wt
.087	.024	.122	.024	.087	.012	.071	grams
2.21	0.61	3.10	0.61	2.21	0.30	1.80	.020

Demo Board MCL P/N: TB-270 Suggested PCB Layout (PL-137)



Features

- Small size (0.126"x0.063"x0.037")
- Temperature stable
- Hermetically sealed
- LTCC construction

Applications

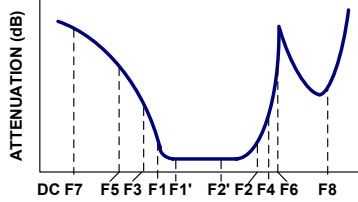
- Harmonic Rejection
- Transmitters / Receivers
- Military and Avionics

Electrical Specifications^{1,2} at 25°C

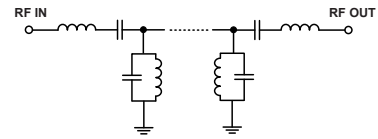
Parameter	F#	Frequency (MHz)	Min.	Typ.	Max.	Unit	
Pass Band	Center Frequency	—	—	3085	—	MHz	
	Insertion Loss	F1-F2	2800-3400	—	1.5	2.5	dB
	VSWR	F1'-F2'	3050-3350	—	1.85	3.0	:1
Stop Band, Lower	Insertion Loss	DC-F7	DC-500	50	68	—	dB
		DC-F5	DC-2000	12	—	—	—
	VSWR	DC-F5	DC-1750	—	40	—	:1
Stop Band, Upper	Insertion Loss	F6-F8	4210-7800	20	34	—	dB
		F4-F8	4000-7800	12	—	—	—
	VSWR	F6-F8	4210-7800	—	24	—	:1

1. Measured on Mini-Circuits Characterization Test Board TB-270.
2. This filter is not intended for use as a DC Blocking circuit element. In Application where DC voltage is present at either input or output ports, blocking capacitors are required at the corresponding RF port.

Typical Frequency Response

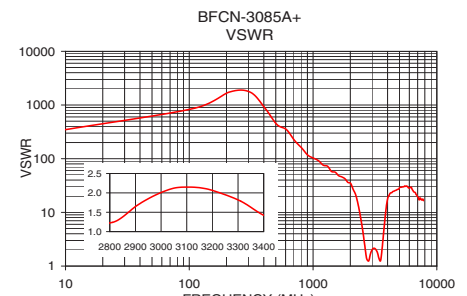
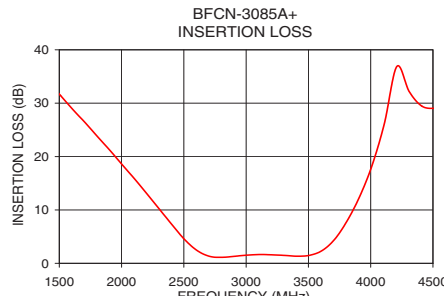
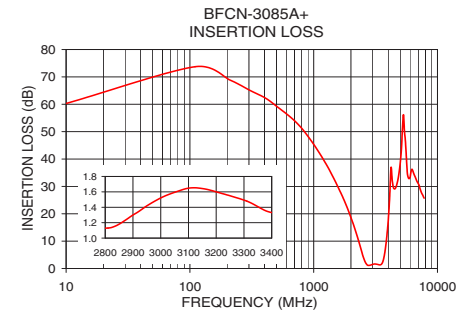


Functional Schematic



Typical Performance Data at 25°C

Frequency (MHz)	Insertion Loss (dB)	VSWR (:1)
10.00	60.29	347.44
100.00	74.29	434.30
500.00	59.20	579.06
1750.00	25.22	43.44
2000.00	18.63	35.46
2350.00	8.81	11.85
2550.00	3.46	3.73
2800.00	1.11	1.19
2900.00	1.31	1.65
3050.00	1.60	2.13
3085.00	1.63	2.15
3350.00	1.40	1.63
3400.00	1.35	1.44
3650.00	3.06	2.69
4000.00	17.57	17.93
4210.00	36.88	22.87
5300.00	56.71	30.49
7800.00	25.70	16.56



Notes

- A. Performance and quality attributes and conditions not expressly stated in this specification document are intended to be excluded and do not form a part of this specification document.
B. Electrical specifications and performance data contained in this specification document are based on Mini-Circuit's applicable established test performance criteria and measurement instructions.
C. The parts covered by this specification document are subject to Mini-Circuits standard limited warranty and terms and conditions (collectively, "Standard Terms"); Purchasers of this part are entitled to the rights and benefits contained therein. For a full statement of the Standard Terms and the exclusive rights and remedies thereunder, please visit Mini-Circuits' website at www.minicircuits.com/MCLStore/terms.jsp

