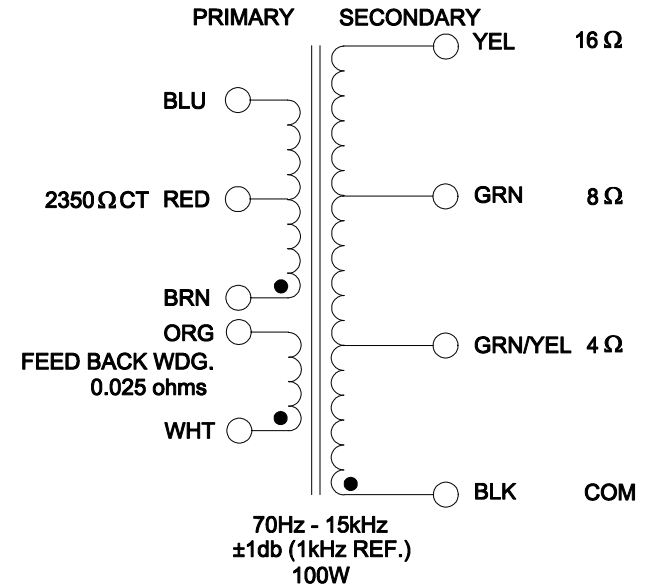
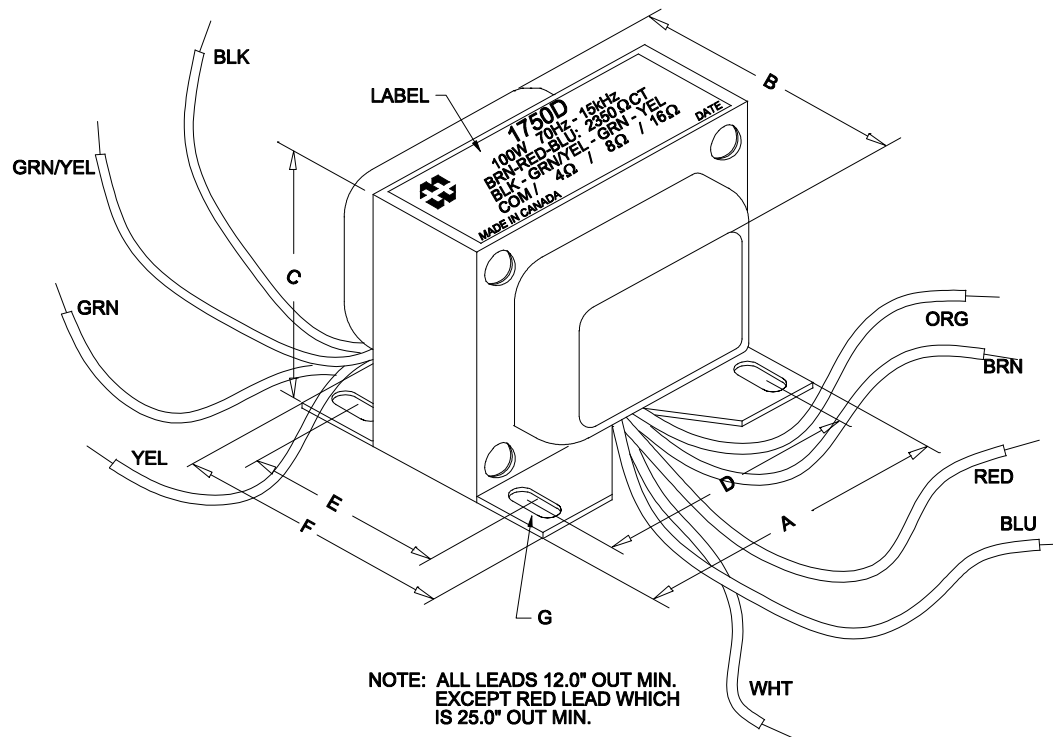


| DIMENSIONS: |                        |
|-------------|------------------------|
| A           | 4.050" ±0.063          |
| B           | 3.715" ±0.125          |
| C           | 3.500" ±0.063          |
| D           | 3.500" ±0.063          |
| E           | 2.500" ±0.063          |
| F           | 3.020" ±0.063          |
| G           | 0.187" x 0.300" ±0.015 |



| ELECTRICAL DATA: |                         |                     |
|------------------|-------------------------|---------------------|
| TESTS            | CONDITIONS              | ACCEPTANCE CRITERIA |
| Iex              | @ 240V, 60Hz, BRN - BLU | 3.4mA Max.          |
| Sec. N.L.V       | @ 240V, 60Hz, BRN - BLU |                     |
|                  | BRN - RED = RED - BLU = | 120.0V ±2%          |
|                  | BLK - GRN/YEL =         | 10.09V ±2%          |
|                  | BLK - GRN =             | 14.28V ±2%          |
|                  | BLK - YEL =             | 20.18V ±2%          |
|                  | WHT - ORG =             | 0.776V ±2%          |
| POLARITY         | BRN, WHT, BLK           | ADDITIVE            |
| DCR              | @ 20°C, BRN - RED =     | 33.09 Ω ±20%        |
|                  | @ 20°C, RED - BLU =     | 34.82 Ω ±20%        |
|                  | @ 20°C, WHT - ORG =     | 0.370 Ω ±20%        |
|                  | @ 20°C, BLK - GRN/YEL = | 0.300 Ω ±20%        |
|                  | @ 20°C, BLK - GRN =     | 0.690 Ω ±20%        |
|                  | @ 20°C, BLK - YEL =     | 0.860 Ω ±20%        |
| HIPOT            | PRIMARY - SECONDARY     | 2000V, 60Hz, 1 SEC  |

| REV.# | REVISION  | DATE     | HAMMOND ELECTRONIC DIVISION |                         | 52 RANKIN PLACE,<br>WATERLOO, ONTARIO, N2J 3Z5 | PH # (519) 886-6181<br>FAX # (519) 886-9540 |
|-------|-----------|----------|-----------------------------|-------------------------|--|---|
| 0     | RELEASED. | 05/10/11 | MANUFACTURING™              |                         |  |   |
|       |           |          | DWG. BY: C. ILIE            | CHK'D BY:               | TITLE: 1750D                                   | DWG. NO.                                    |
|       |           |          | DATE: 05/10/11              | APP'D. BY:              | TRANSFORMER                                    | 1750D                                       |
|       |           |          |                             | DIMENSIONS: IN(X) MM( ) |  |   |