

10 9 8 7 6 5 4 3 2 1

F

E

D

C

B

A

F

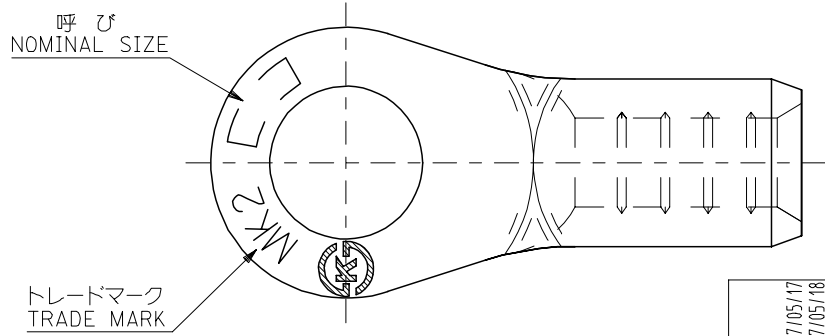
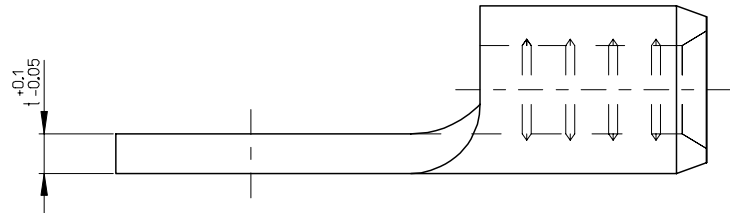
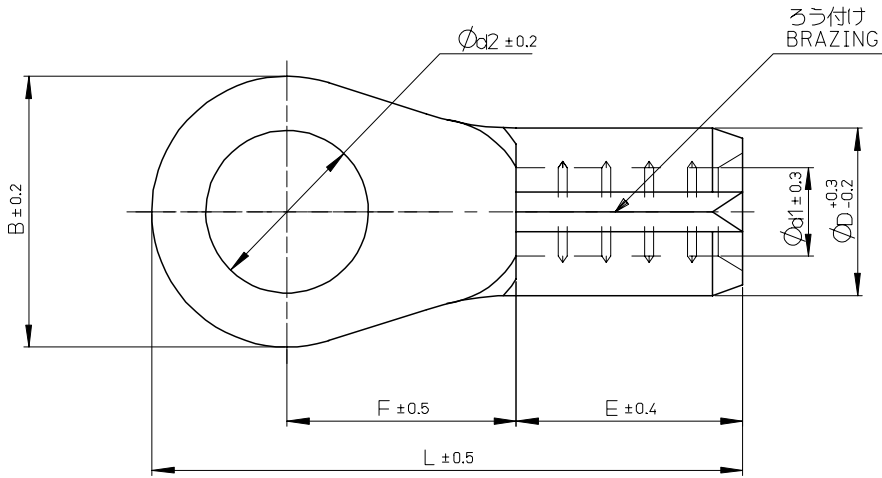
E

D

C

B

A



注記 NOTES

- 1 材質 MATERIAL
 端子：無酸素銅、錫めっき
 TERMINAL: OXYGEN-FREE COPPER, TIN PLATING
 ろう付け部：りん銅ろう
 PART OF BRAZING : COPPER PHOSPHORUS BRAZING FILLER METALS
- 2 適用電線 APPLICABLE WIRE RANGE

単線 SOLID WIRE	撚線 STRANDED WIRE
1.82-2.89 mm	2.63-6.64 mm ²

1	21	48	25.7	6.5	3.5	5.6	5.5	20	50856-7912
	17							16	50856-7812
	15							14	50856-7712
	5.3	12	L5					50856-7612	
	4.3	8	S5					50856-7512	
		7.1	M4					50856-7412	
	3.7	7.2	M3.5					50856-7312	
		7.1	S3.5					50856-7212	
3.2	7.2	M3	50856-7112						
	7.1	S3	50856-7012						
t	Ød2	L	F	E	Ød1	ØD	B	呼び NOMINAL SIZE	ENG. NO.

RELEASED EC NO: J2007-0312 DRW: H.YAJIMA 2007/05/17 CHK: K.KASAHARA 2007/05/18 APPR: NUKITA 2007/05/18	GENERAL TOLERANCES (UNLESS SPECIFIED)		DIMENSION STYLE MM ONLY		SCALE ---	DESIGN UNITS METRIC	THIRD ANGLE PROJECTION		
	10 UNDER	± ---	DRAWN BY H. YAJIMA	DATE '06/08/23	TITLE RING TERMINAL				
	10 OVER 30 UNDER	± ---	CHECKED BY K. KASAHARA	DATE '06/08/23	MOLEX INCORPORATED MATERIAL NO. SEE CHART DOCUMENT NO. SD-50856-001 SHEET NO. 1 OF 1				
	30 OVER	± ---	APPROVED BY N. UKITA	DATE '06/08/23					
	ANGULAR	± --- °	DRAFT WHERE APPLICABLE MUST REMAIN WITHIN DIMENSIONS						