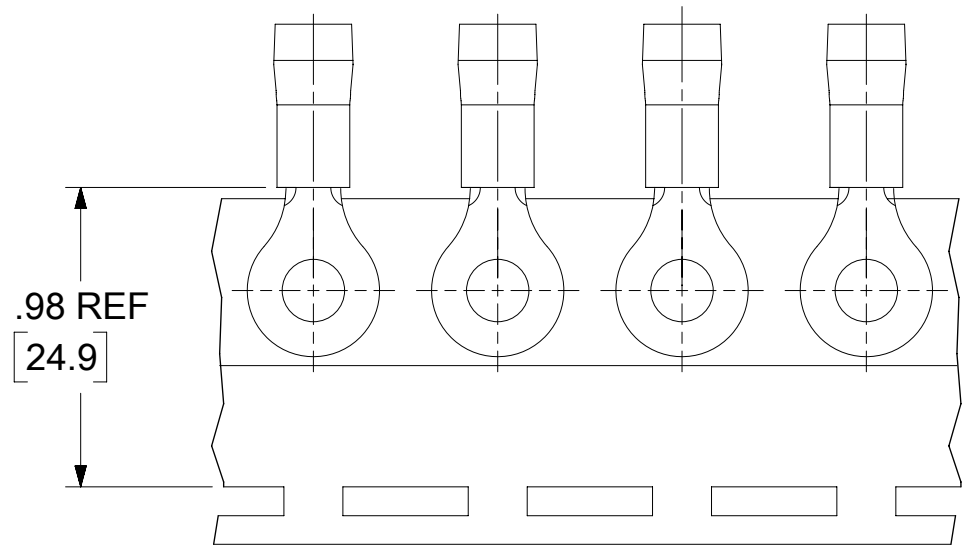
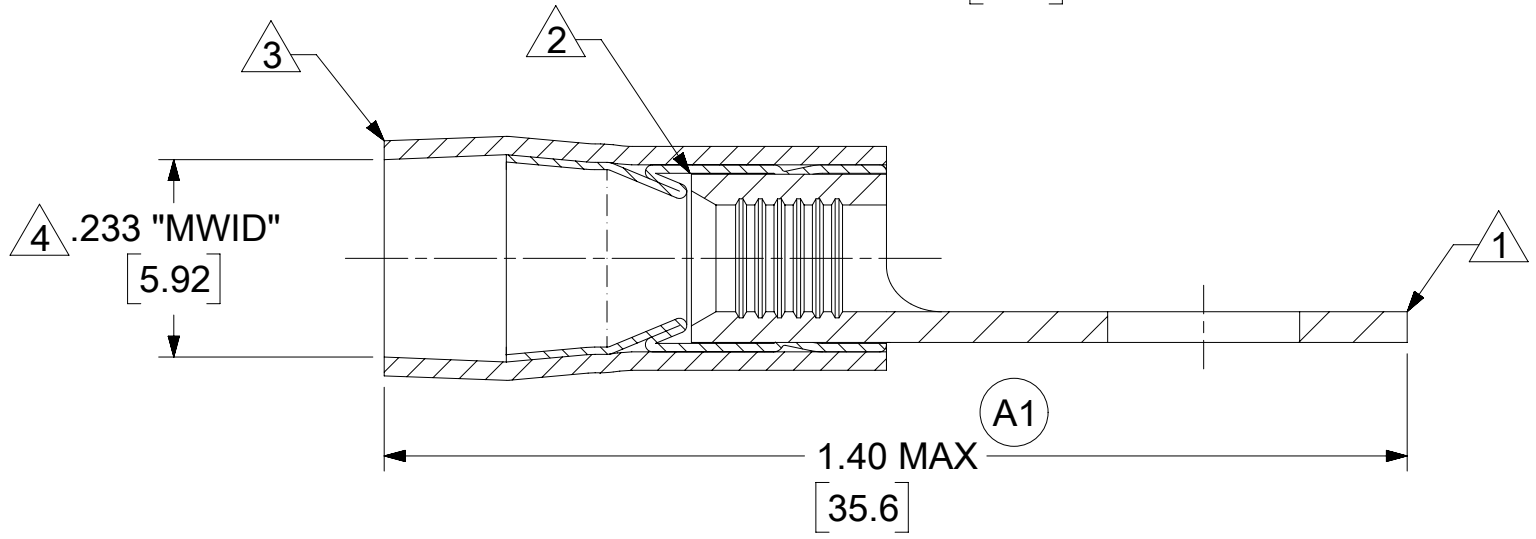
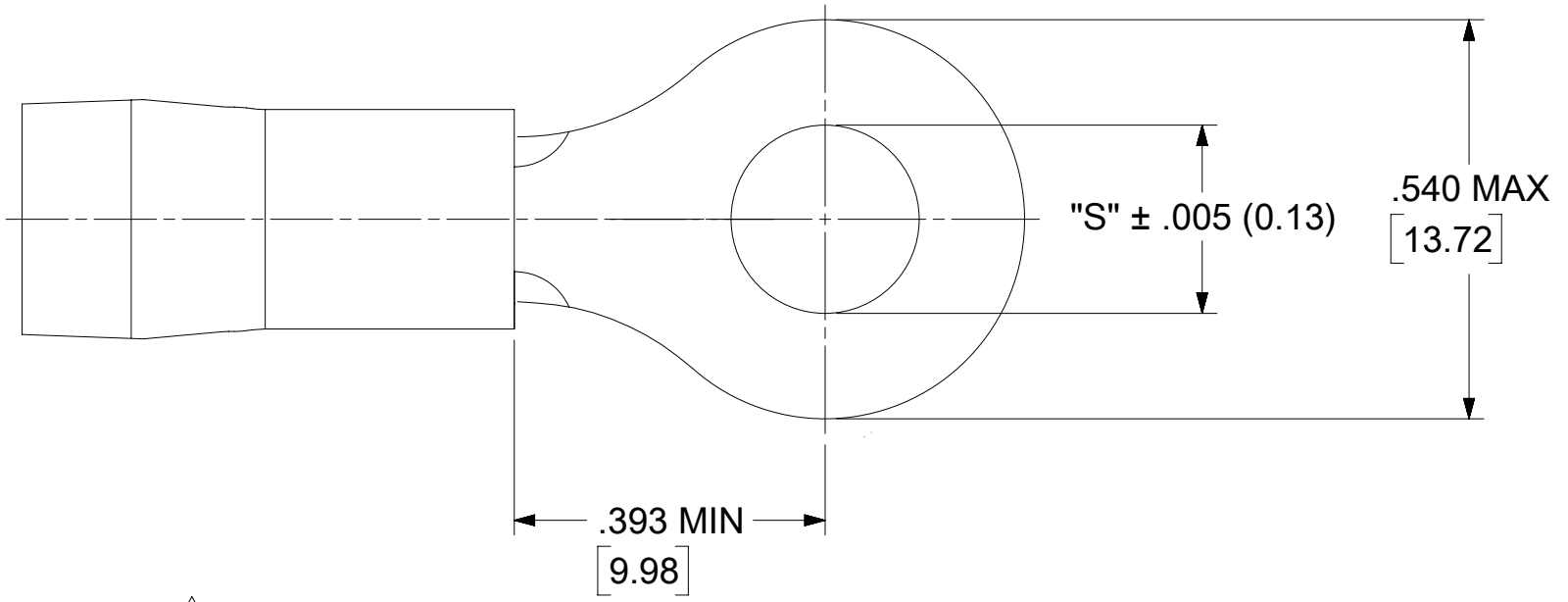


MATERIAL NO.	ENG NO.	MATERIAL NO. (TAPE)	ENG NO. (TAPE)	STUD SIZE	"S" ± .005 (0.13)
190730182	C-830-10XLBK	----	----	10	.198 (5.03)
190730192	C-830-14XLBK	190730193	C-830-14XLBKT	1/4	.265 (6.73)
190730203	C-830-56XLBK	----	----	5/16	.328 (8.33)

(A1)



TAPE MOUNTING LOCATION

NOTE(S):

- 1 TERMINAL MATERIAL: COPPER  
FINISH: ELECTRO-TIN
- 2 FERRULE MATERIAL: BRASS  
FINISH: ELECTRO-TIN
- 3 INSULATION MATERIAL: BLACK NYLON
- 4 "MWID" = MAXIMUM WIRE INSULATION DIAMETER
- 5. PARTS ARE RoHS COMPLIANT

THIS DRAWING CONTAINS INFORMATION THAT IS PROPRIETARY TO MOLEX ELECTRONIC TECHNOLOGIES, LLC AND SHOULD NOT BE USED WITHOUT WRITTEN PERMISSION																																	
FUNCTIONAL SYMBOLS	DIMENSION UNITS	SCALE	CURRENT REV DESC: RMV OBSO PN'S: C-830-10XXBK, -14XXBK, -56XXBK, -10XX, -14XX, -56XX, -10XXBKT, -14XXBKT, & -56XXBKT																														
$\nabla_A = 0$	INCH/MM	NTS	<table border="1"> <tr> <th colspan="3">GENERAL TOLERANCES (UNLESS SPECIFIED)</th> </tr> <tr> <th></th> <th>MM</th> <th>INCH</th> </tr> <tr> <td>4 PLACES</td> <td>±</td> <td>±</td> </tr> <tr> <td>3 PLACES</td> <td>±</td> <td>±</td> </tr> <tr> <td>2 PLACES</td> <td>±</td> <td>±</td> </tr> <tr> <td>1 PLACE</td> <td>±</td> <td>±</td> </tr> <tr> <td>0 PLACES</td> <td>±</td> <td>±</td> </tr> <tr> <td colspan="3">ANGULAR TOL ± °</td> </tr> </table>							GENERAL TOLERANCES (UNLESS SPECIFIED)				MM	INCH	4 PLACES	±	±	3 PLACES	±	±	2 PLACES	±	±	1 PLACE	±	±	0 PLACES	±	±	ANGULAR TOL ± °		
GENERAL TOLERANCES (UNLESS SPECIFIED)																																	
	MM	INCH																															
4 PLACES	±	±																															
3 PLACES	±	±																															
2 PLACES	±	±																															
1 PLACE	±	±																															
0 PLACES	±	±																															
ANGULAR TOL ± °																																	
$\nabla_E = 0$																																	
$\nabla_P = 0$																																	
DIVISIONAL SYMBOLS			EC NO: 676073	2021/08/30	<table border="1"> <tr> <th colspan="3">molex</th> </tr> <tr> <td colspan="3">RAILROAD TERMINAL 12-10 RING TONGUE TERMINALS</td> </tr> <tr> <td colspan="3">PRODUCT CUSTOMER DRAWING</td> </tr> <tr> <td>DOCUMENT NUMBER</td> <td>DOC TYPE</td> <td>DOC PART</td> <td>REVISION</td> </tr> <tr> <td>SD-19058-006</td> <td>PSD</td> <td>001</td> <td>A1</td> </tr> </table>					molex			RAILROAD TERMINAL 12-10 RING TONGUE TERMINALS			PRODUCT CUSTOMER DRAWING			DOCUMENT NUMBER	DOC TYPE	DOC PART	REVISION	SD-19058-006	PSD	001	A1							
molex																																	
RAILROAD TERMINAL 12-10 RING TONGUE TERMINALS																																	
PRODUCT CUSTOMER DRAWING																																	
DOCUMENT NUMBER	DOC TYPE	DOC PART	REVISION																														
SD-19058-006	PSD	001	A1																														
			DRWN: DMYRICK	2021/08/31																													
			CHK'D: KBURROUGHS	2021/08/31																													
			APPR: KBURROUGHS	2021/08/31																													
			INITIAL REVISION:																														
			DRWN:																														
			APPR:																														
			DRAFT WHERE APPLICABLE MUST REMAIN WITHIN DIMENSIONS	THIRD ANGLE PROJECTION	DRAWING	SERIES	MATERIAL NUMBER	CUSTOMER	SHEET NUMBER																								
					B-SIZE	19058		GENERAL MARKET	1 OF 1																								