

FM1808B (PDIP)

256Kb Byte-wide 5V F-RAM Memory



Features

256Kbit Ferroelectric Nonvolatile RAM

- Organized as 32,768 x 8 bits
- High Endurance 1 Trillion (10^{12}) Read/Writes
- 38 year Data Retention @ +75°C
- NoDelay™ Writes
- Advanced High-Reliability Ferroelectric Process

Superior to BBSRAM Modules

- No Battery Concerns
- Monolithic Reliability
- Superior for Moisture, Shock, and Vibration
- Resistant to Negative Voltage Undershoots

SRAM & EEPROM Compatible

- JEDEC 32Kx8 SRAM & EEPROM pinout
- 70 ns Access Time
- 130 ns Cycle Time

Low Power Operation

- 15 mA Active Current
- 25 μ A (typ.) Standby Current

Industry Standard Configuration

- Extended Temperature 0°C to +85°C
- 28-pin “Green”/RoHS PDIP Package

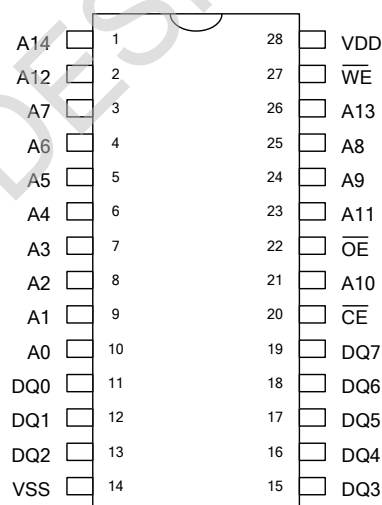
Description

The FM1808B is a 256-kilobit nonvolatile memory employing an advanced ferroelectric process. A ferroelectric random access memory or F-RAM is nonvolatile but operates in other respects as a RAM. It provides data retention for 38 years while eliminating the reliability concerns, functional disadvantages and system design complexities of battery-backed SRAM (BBSRAM). Fast write timing and high write endurance make F-RAM superior to other types of nonvolatile memory.

In-system operation of the FM1808B is very similar to other RAM devices. Minimum read- and write-cycle times are equal. The F-RAM memory, however, is nonvolatile due to its unique ferroelectric memory process. Unlike BBSRAM, the FM1808B is a truly monolithic nonvolatile memory. It provides the same functional benefits of a fast write without the disadvantages associated with modules and batteries or hybrid memory solutions.

These capabilities make the FM1808B ideal for nonvolatile memory applications requiring frequent or rapid writes in a byte-wide environment. The availability of a through-hole package allows ease of insertion and removal in systems that utilize a DIP socket. Device specifications are guaranteed over a extended temperature range of 0°C to +85°C.

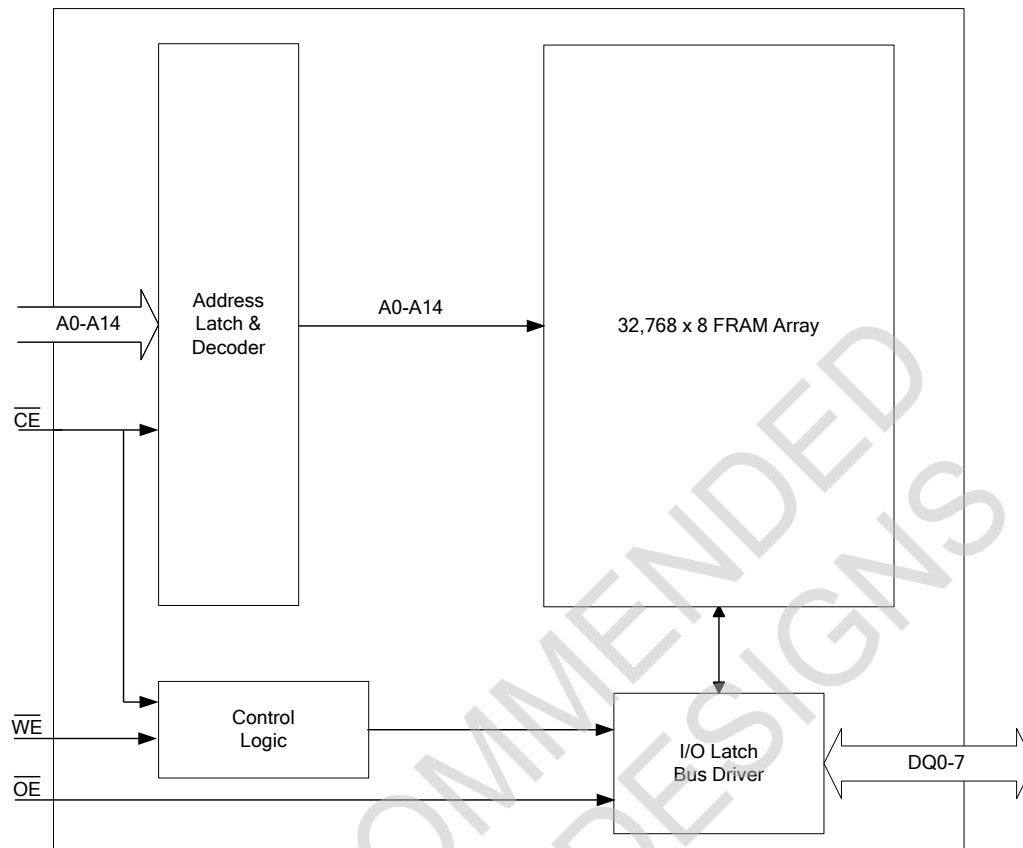
Pin Configuration



Ordering Information

FM1808B-PG	28-pin “Green”/RoHS PDIP
------------	--------------------------

This product conforms to specifications per the terms of the Ramtron standard warranty. The product has completed Ramtron's internal qualification testing and has reached production status.


Figure 1. Block Diagram
Pin Description

Pin Name	Type	Description
A(14:0)	Input	Address: The 15 address lines select one of 32,768 bytes in the F-RAM array. The address value is latched on the falling edge of /CE.
DQ(7:0)	I/O	Data: 8-bit bi-directional data bus for accessing the F-RAM array.
/CE	Input	Chip Enable: /CE selects the device when low. Asserting /CE low causes the address to be latched internally. Address changes that occur after /CE goes low will be ignored until the next falling edge occurs.
/OE	Input	Output Enable: Asserting /OE low causes the FM1808B to drive the data bus when valid data is available. Deasserting /OE high causes the DQ pins to be tri-stated.
/WE	Input	Write Enable: Asserting /WE low causes the FM1808B to write the contents of the data bus to the address location latched by the falling edge of /CE.
VDD	Supply	Supply Voltage: 5V
VSS	Supply	Ground

Functional Truth Table

/CE	/WE	Function
H	X	Standby/Precharge
↓	X	Latch Address (and Begin Write if /WE=low)
L	H	Read
L	↓	Write

Note: The /OE pin controls only the DQ output buffers.

Overview

The FM1808B is a byte-wide F-RAM memory. The memory array is logically organized as 32,768 x 8 and is accessed using an industry standard parallel interface. All data written to the part is immediately nonvolatile with no delay. Functional operation of the F-RAM memory is the same as SRAM type devices, except the FM1808B requires a falling edge of /CE to start each memory cycle.

Memory Architecture

Users access 32,768 memory locations each with 8 data bits through a parallel interface. The complete 15-bit address specifies each of the 32,768 bytes uniquely. Internally, the memory array is organized into 4096 rows of 8-bytes each. This row segmentation has no effect on operation, however the user may wish to group data into blocks by its endurance characteristics as explained on page 4.

The cycle time is the same for read and write memory operations. This simplifies memory controller logic and timing circuits. Likewise the access time is the same for read and write memory operations. When /CE is deasserted high, a precharge operation begins, and is required of every memory cycle. Thus unlike SRAM, the access and cycle times are not equal. Writes occur immediately at the end of the access with no delay. Unlike an EEPROM, it is not necessary to poll the device for a ready condition since writes occur at bus speed.

It is the user's responsibility to ensure that VDD remains within datasheet tolerances to prevent incorrect operation. Also proper voltage level and timing relationships between VDD and /CE must be maintained during power-up and power-down events. See Power Cycle Timing diagram on page 9.

Memory Operation

The FM1808B is designed to operate in a manner similar to other byte-wide memory products. For users familiar with BBSRAM, the performance is comparable but the byte-wide interface operates in a slightly different manner as described below. For users familiar with EEPROM, the obvious differences result from the higher write performance of F-RAM technology including NoDelay writes and much higher write endurance.

Read Operation

A read operation begins on the falling edge of /CE. At this time, the address bits are latched and a memory cycle is initiated. Once started, a full

memory cycle must be completed internally even if /CE goes inactive. Data becomes available on the bus after the access time has been satisfied.

After the address has been latched, the address value may be changed upon satisfying the hold time parameter. Unlike an SRAM, changing address values will have no effect on the memory operation after the address is latched.

The FM1808B will drive the data bus when /OE is asserted low. If /OE is asserted after the memory access time has been satisfied, the data bus will be driven with valid data. If /OE is asserted prior to completion of the memory access, the data bus will not be driven until valid data is available. This feature minimizes supply current in the system by eliminating transients caused by invalid data being driven onto the bus. When /OE is inactive the data bus will remain tri-stated.

Write Operation

Writes occur in the FM1808B in the same time interval as reads. The FM1808B supports both /CE- and /WE-controlled write cycles. In all cases, the address is latched on the falling edge of /CE.

In a /CE controlled write, the /WE signal is asserted prior to beginning the memory cycle. That is, /WE is low when /CE falls. In this case, the part begins the memory cycle as a write. The FM1808B will not drive the data bus regardless of the state of /OE.

In a /WE controlled write, the memory cycle begins on the falling edge of /CE. The /WE signal falls after the falling edge of /CE. Therefore, the memory cycle begins as a read. The data bus will be driven according to the state of /OE until /WE falls. The timing of both /CE- and /WE-controlled write cycles is shown in the electrical specifications.

Write access to the array begins asynchronously after the memory cycle is initiated. The write access terminates on the rising edge of /WE or /CE, whichever is first. Data set-up time, as shown in the electrical specifications, indicates the interval during which data cannot change prior to the end of the write access.

Unlike other truly nonvolatile memory technologies, there is no write delay with F-RAM. Since the read and write access times of the underlying memory are the same, the user experiences no delay through the bus. The entire memory operation occurs in a single bus cycle. Therefore, any operation including read or write can occur immediately following a write. Data

polling, a technique used with EEPROMs to determine if a write is complete, is unnecessary.

Precharge Operation

The precharge operation is an internal condition that prepares the memory for a new access. All memory cycles consist of a memory access and a precharge. The precharge is initiated by deasserting the /CE pin high. It must remain high for at least the minimum precharge time t_{PC} .

The user determines the beginning of this operation since a precharge will not begin until /CE rises. However, the device has a maximum /CE low time specification that must be satisfied.

Endurance

Internally, a F-RAM operates with a read and restore mechanism. Therefore, each read and write cycle involves a change of state. The memory architecture is based on an array of rows and columns. Each read or write access causes an endurance cycle for an entire row. In the FM1808B, a row is 64 bits wide. Every 8-byte boundary marks the beginning of a new row. Endurance can be optimized by ensuring frequently accessed data is located in different rows. Regardless, F-RAM offers substantially higher write endurance than other nonvolatile memories. The rated endurance limit of 10^{12} cycles will allow 3,000

accesses per second to the same row for over 10 years.

F-RAM Design Considerations

When designing with F-RAM for the first time, users of SRAM will recognize a few minor differences. First, bitwise F-RAM memories latch each address on the falling edge of chip enable. This allows the address bus to change after starting the memory access. Since every access latches the memory address on the falling edge of /CE, users cannot ground it as they might with SRAM.

Users who are modifying existing designs to use F-RAM should examine the memory controller for timing compatibility of address and control pins. Each memory access must be qualified with a low transition of /CE. In many cases, this is the only change required. An example of the signal relationships is shown in Figure 2 below. Also shown is a common SRAM signal relationship that will not work for the FM1808B.

The reason for /CE to strobe for each address is two-fold: it latches the new address and creates the necessary precharge period while /CE is high.

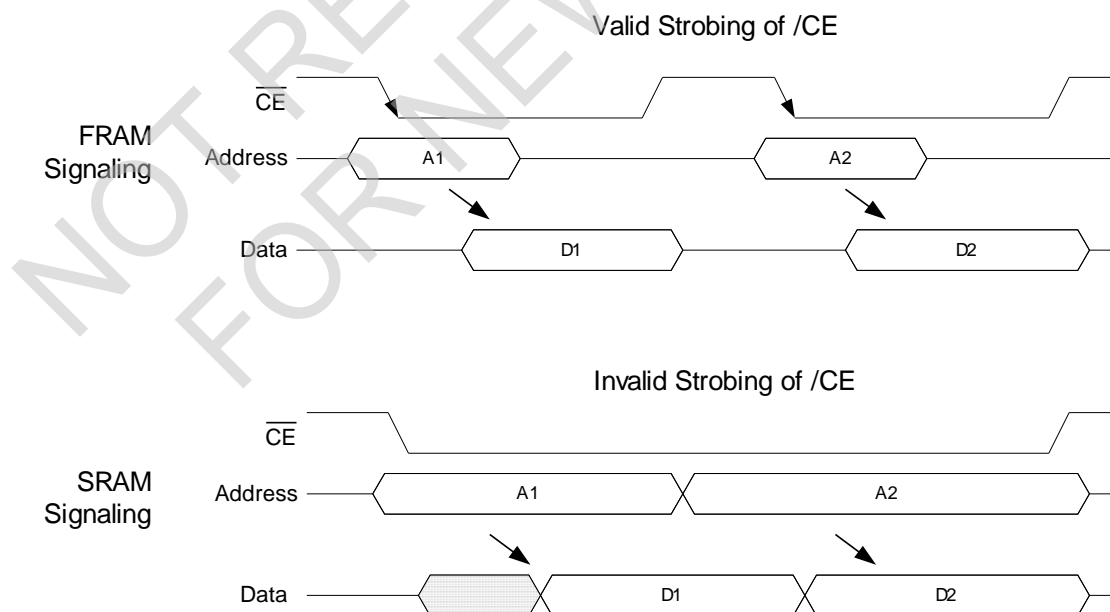


Figure 2. Chip Enable and Memory Address Relationships

A second design consideration relates to the level of V_{DD} during operation. Battery-backed SRAMs are forced to monitor V_{DD} in order to switch to battery backup. They typically block user access below a certain V_{DD} level in order to prevent loading the battery with current demand from an active SRAM. The user can be abruptly cut off from access to the nonvolatile memory in a power down situation with no warning or indication.

F-RAM memories do not need this system overhead. The memory will not block access at any V_{DD} level that complies with the specified operating range. The user should take measures to prevent the processor from accessing memory when V_{DD} is out-of-tolerance. The common design practice of holding a processor in reset during powerdown may be sufficient. It is recommended that Chip Enable is pulled high and allowed to track V_{DD} during powerup and powerdown cycles. It is the user's responsibility to ensure that chip enable is high to prevent accesses

below V_{DD} min. (4.5V). Figure 3 shows a pullup resistor on $/\text{CE}$ which will keep the pin high during power cycles assuming the MCU/MPU pin tri-states during the reset condition. The pullup resistor value should be chosen to ensure the $/\text{CE}$ pin tracks V_{DD} yet a high enough value that the current drawn when $/\text{CE}$ is low is not an issue.

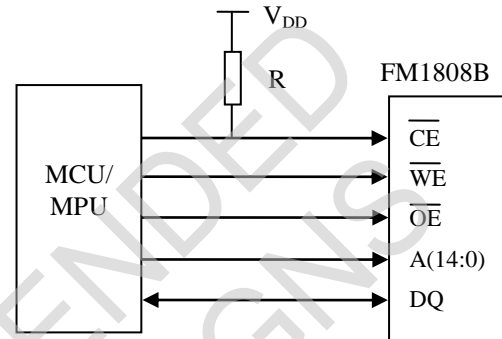


Figure 3. Use of Pullup Resistor on $/\text{CE}$

Electrical Specifications

Absolute Maximum Ratings

Symbol	Description	Ratings
V_{DD}	Power Supply Voltage with respect to V_{SS}	-1.0V to +7.0V
V_{IN}	Voltage on any pin with respect to V_{SS}	-1.0V to +7.0V and $V_{IN} < V_{DD} + 1.0V$
T_{STG}	Storage Temperature	-55°C to +125°C
T_{LEAD}	Lead Temperature (Soldering, 10 seconds)	260° C
V_{ESD}	Electrostatic Discharge Voltage - Human Body Model (AEC-Q100-002 Rev. E) - Charged Device Model (AEC-Q100-011 Rev. B) - Machine Model (AEC-Q100-003 Rev. E)	4kV 1.25kV 300V

Stresses above those listed under Absolute Maximum Ratings may cause permanent damage to the device. This is a stress rating only, and the functional operation of the device at these or any other conditions above those listed in the operational section of this specification is not implied. Exposure to absolute maximum ratings conditions for extended periods may affect device reliability.

DC Operating Conditions ($T_A = 0^\circ\text{C}$ to $+85^\circ\text{C}$, $V_{DD} = 4.5\text{V}$ to 5.5V unless otherwise specified)

Symbol	Parameter	Min	Typ	Max	Units	Notes
V_{DD}	Power Supply	4.5	5.0	5.5	V	
I_{DD}	V_{DD} Supply Current		-	15	mA	1
I_{SB1}	Standby Current (TTL)		-	1.8	mA	2
I_{SB2}	Standby Current (CMOS)		25	50	μA	3
I_{LI}	Input Leakage Current	-		± 1	μA	4
I_{LO}	Output Leakage Current	-		± 1	μA	4
V_{IH}	Input High Voltage	2.0		$V_{DD} + 0.3$	V	
V_{IL}	Input Low Voltage	-0.3		0.8	V	
V_{OH1}	Output High Voltage ($I_{OH} = -2\text{ mA}$)	2.4			V	
V_{OH2}	Output High Voltage ($I_{OH} = -100\ \mu\text{A}$)	$V_{DD} - 0.2$			V	
V_{OL1}	Output Low Voltage ($I_{OL} = 4.2\text{ mA}$)			0.4	V	
V_{OL2}	Output Low Voltage ($I_{OL} = 150\ \mu\text{A}$)			0.2	V	

Notes

- $V_{DD} = 5.5\text{V}$, /CE cycling at minimum cycle time. All inputs at CMOS levels, all outputs unloaded.
- $V_{DD} = 5.5\text{V}$, /CE at V_{IH} , All other pins at TTL levels.
- $V_{DD} = 5.5\text{V}$, /CE at V_{IH} , All other pins at CMOS levels (0.2V or $V_{DD} - 0.2\text{V}$).
- V_{IN} , V_{OUT} between V_{DD} and V_{SS} .

Read Cycle AC Parameters ($T_A = 0^\circ\text{C}$ to $+85^\circ\text{C}$, $V_{DD} = 4.5\text{V}$ to 5.5V unless otherwise specified)

Symbol	Parameter	Min	Max	Units	Notes
t_{CE}	Chip Enable Access Time (to data valid)		70	ns	
t_{CA}	Chip Enable Active Time	70		ns	
t_{RC}	Read Cycle Time	130		ns	
t_{PC}	Precharge Time	60		ns	
t_{AS}	Address Setup Time	0		ns	
t_{AH}	Address Hold Time	15		ns	
t_{OE}	Output Enable Access Time		12	ns	
t_{HZ}	Chip Enable to Output High-Z		15	ns	1
t_{OHZ}	Output Enable to Output High-Z		15	ns	1

Write Cycle AC Parameters ($T_A = 0^\circ\text{C}$ to $+85^\circ\text{C}$, $V_{DD} = 4.5\text{V}$ to 5.5V unless otherwise specified)

Symbol	Parameter	Min	Max	Units	Notes
t_{CA}	Chip Enable Active Time	70		ns	
t_{CW}	Chip Enable to Write High	70		ns	
t_{WC}	Write Cycle Time	130		ns	
t_{PC}	Precharge Time	60		ns	
t_{AS}	Address Setup Time	0		ns	
t_{AH}	Address Hold Time	15		ns	
t_{WP}	Write Enable Pulse Width	40		ns	
t_{DS}	Data Setup	30		ns	
t_{DH}	Data Hold	0		ns	
t_{WZ}	Write Enable Low to Output High Z		15	ns	1
t_{WX}	Write Enable High to Output Driven	10		ns	1
t_{HZ}	Chip Enable to Output High-Z		15	ns	1
t_{WS}	Write Enable Setup	0		ns	2
t_{WH}	Write Enable Hold	0		ns	2

Notes

- 1 This parameter is periodically sampled and not 100% tested.
- 2 The relationship between /CE and /WE determines if a /CE- or /WE-controlled write occurs. There is no timing specification associated with this relationship.

Data Retention ($T_A = 0^\circ\text{C}$ to $+85^\circ\text{C}$)

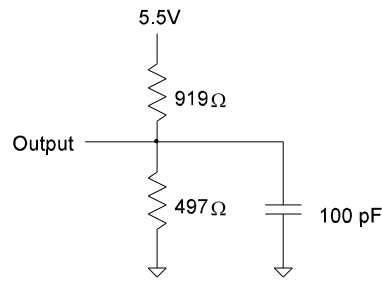
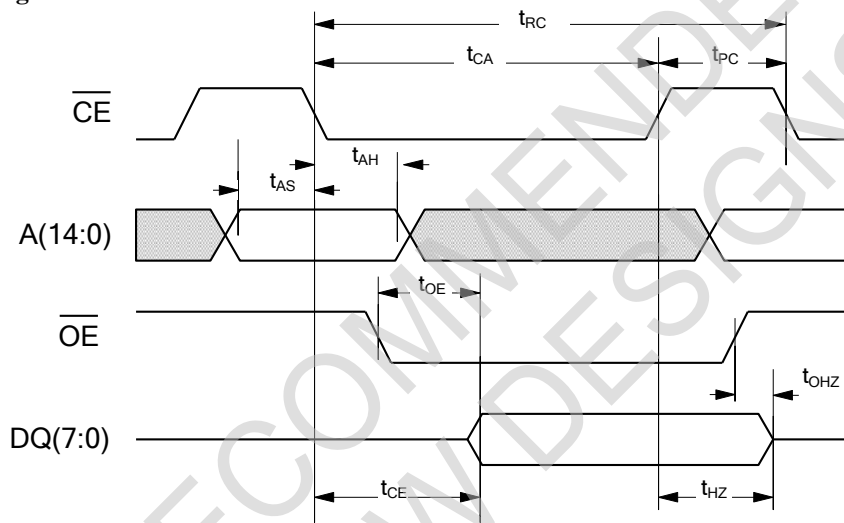
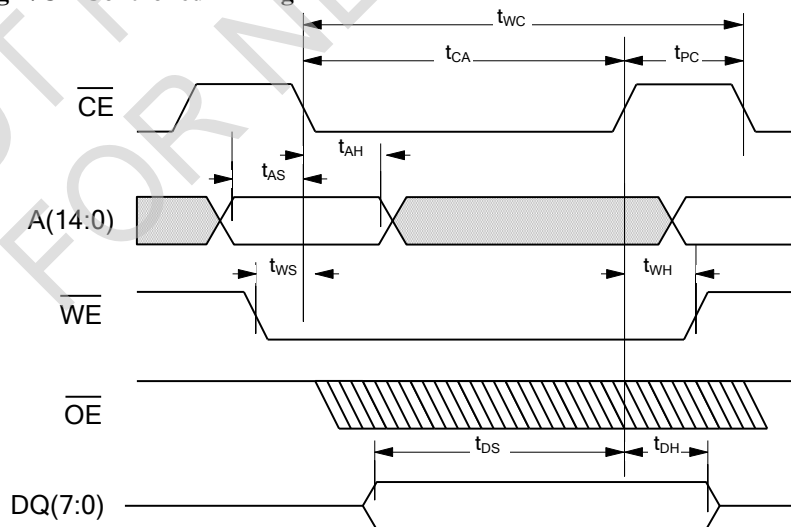
Symbol	Parameter	Min	Max	Units	Notes
T_{DR}	@ $+85^\circ\text{C}$	10	-	Years	
	@ $+80^\circ\text{C}$	19	-	Years	
	@ $+75^\circ\text{C}$	38	-	Years	

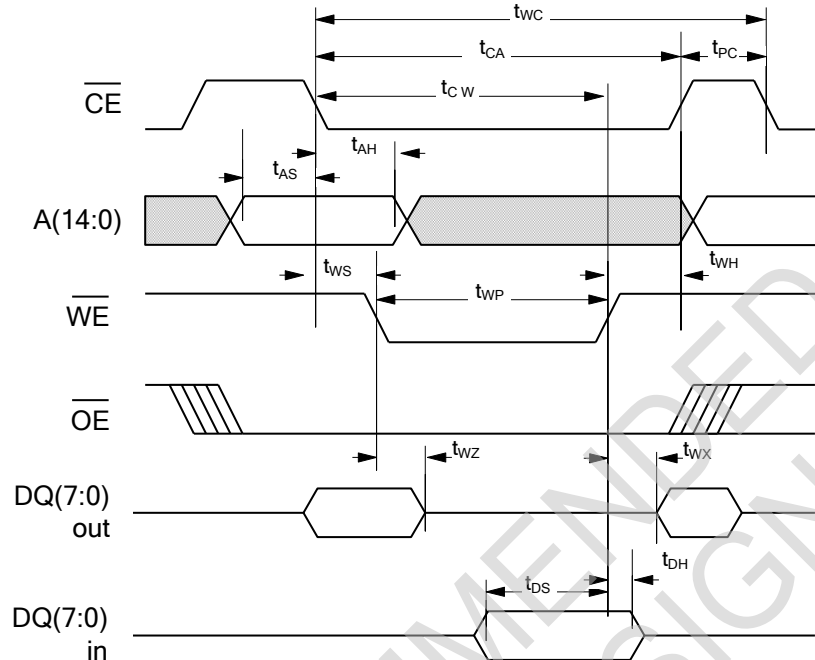
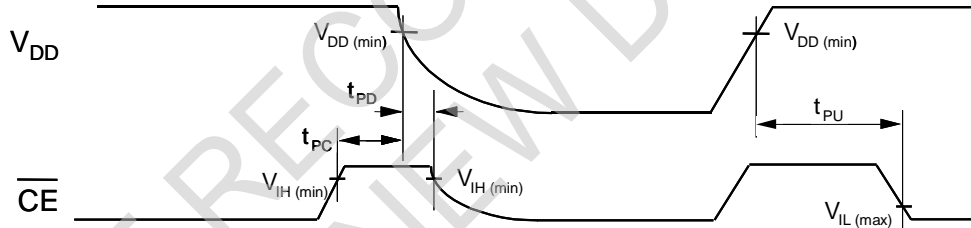
Capacitance ($T_A = 25^\circ\text{C}$, $f = 1.0\text{ MHz}$, $V_{DD} = 5\text{V}$)

Symbol	Parameter	Min	Max	Units	Notes
$C_{I/O}$	Input/Output Capacitance (DQ)	-	8	pF	
C_{IN}	Input Capacitance	-	6	pF	

AC Test Conditions

Input Pulse Levels	0 to 3V
Input rise and fall times	10 ns
Input and output timing levels	1.5V

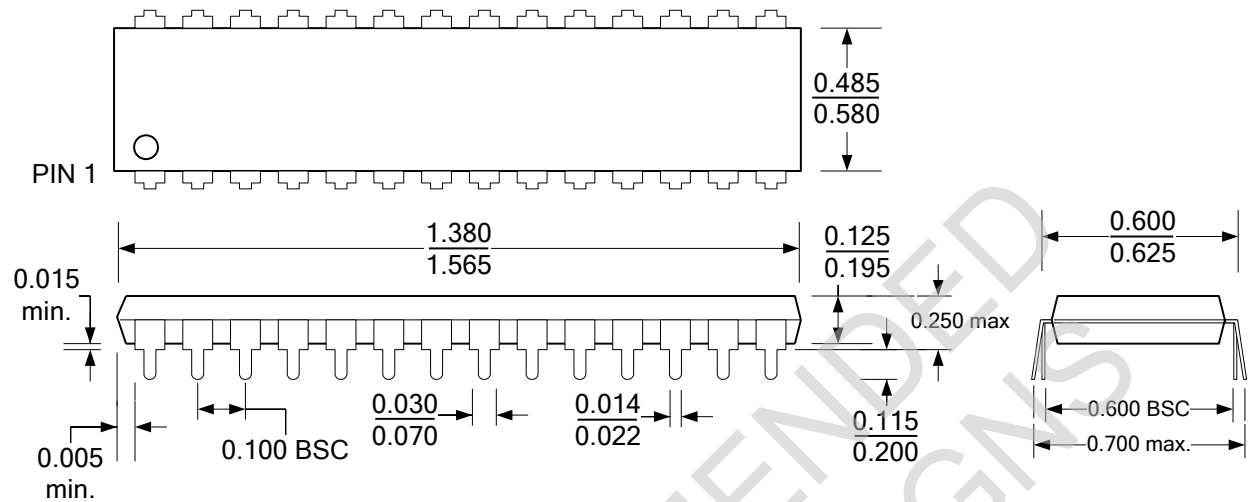
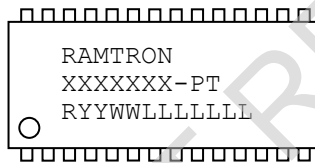
Equivalent AC Load Circuit

Read Cycle Timing

Write Cycle Timing - /CE Controlled Timing


Write Cycle Timing - /WE Controlled Timing

Power Cycle Timing

Power Cycle Timing ($T_A = 0^\circ\text{C}$ to $+85^\circ\text{C}$, $V_{DD} = 4.5\text{V}$ to 5.5V unless otherwise specified)

Symbol	Parameter	Min	Max	Units	Notes
t_{PU}	$V_{DD}(\text{min})$ to First Access Start	10	-	ms	2
t_{PD}	Last Access Complete to $V_{DD}(\text{min})$	0	-	μs	
t_{VR}	V_{DD} Rise Time	30	-	$\mu\text{s}/\text{V}$	1,2
t_{VF}	V_{DD} Fall Time	30	-	$\mu\text{s}/\text{V}$	1,2

Notes

- Slope measured at any point on V_{DD} waveform.
- This parameter has been characterized and not 100% tested at 0°C .

28-pin DIP (JEDEC MS-011)
All dimensions in inches

DIP Package Marking Scheme

Legend:

XXXXXX= part number, P= package (PG=PDIP "Green"),
 T=temp. range (<blank>=extended, C=commercial),
 R=rev code, YY=year, WW=work week, LLLLLL= lot code

Example: FM1808B, "Green"/RoHS PDIP package,
 A die rev., Year 2010, Work Week 49, Lot code L3502G1

RAMTRON
 FM1808B-PG
 A1049L3502G1

Revision History

Revision	Date	Summary
1.0	12/29/2010	Initial Release
1.1	2/22/2011	Changed to commercial temp range. Changed t_{PU} and t_{VF} spec limits. Updated package marking.
1.2	3/10/2011	Changed operating temperature to 0C to +85C. Removed "C" from part marking. Added more temperature entries in data retention table.
2.0	1/6/2012	Changed to Pre-Production status. Changed t_{VF} spec.

Document History

Document Title: FM1808B (PDIP) 256Kb Byte-wide 5V F-RAM Memory
 Document Number: 001-86600

Revision	ECN	Orig. of Change	Submission Date	Description of Change
**	3930341	GVCH	03/19/2013	New Spec

NOT RECOMMENDED FOR NEW DESIGNS

Sales, Solutions, and Legal Information

Worldwide Sales and Design Support

Cypress maintains a worldwide network of offices, solution centers, manufacturer's representatives, and distributors. To find the office closest to you, visit us at [Cypress Locations](#).

Products

Automotive	cypress.com/go/automotive
Clocks & Buffers	cypress.com/go/clocks
Interface	cypress.com/go/interface
Lighting & Power Control	cypress.com/go/powerpsoc cypress.com/go/plc
Memory	cypress.com/go/memory
PSoC	cypress.com/go/psoc
Touch Sensing	cypress.com/go/touch
USB Controllers	cypress.com/go/usb

PSoC[®] Solutions

psoc.cypress.com/solutions

[PSoC 1](#) | [PSoC 3](#) | [PSoC 5](#)

Cypress Developer Community

[Community](#) | [Forums](#) | [Blogs](#) | [Video](#) | [Training](#)

Technical Support

cypress.com/go/support

RAMTRON is a registered trademark and NoDelay™ is a trademark of Cypress Semiconductor Corp. All other trademarks or registered trademarks referenced herein are the property of their respective owners.

© Cypress Semiconductor Corporation, 2011-2013. The information contained herein is subject to change without notice. Cypress Semiconductor Corporation assumes no responsibility for the use of any circuitry other than circuitry embodied in a Cypress product. Nor does it convey or imply any license under patent or other rights. Cypress products are not warranted nor intended to be used for medical, life support, life saving, critical control or safety applications, unless pursuant to an express written agreement with Cypress. Furthermore, Cypress does not authorize its products for use as critical components in life-support systems where a malfunction or failure may reasonably be expected to result in significant injury to the user. The inclusion of Cypress products in life-support systems application implies that the manufacturer assumes all risk of such use and in doing so indemnifies Cypress against all charges.

This Source Code (software and/or firmware) is owned by Cypress Semiconductor Corporation (Cypress) and is protected by and subject to worldwide patent protection (United States and foreign), United States copyright laws and international treaty provisions. Cypress hereby grants to licensee a personal, non-exclusive, non-transferable license to copy, use, modify, create derivative works of, and compile the Cypress Source Code and derivative works for the sole purpose of creating custom software and or firmware in support of licensee product to be used only in conjunction with a Cypress integrated circuit as specified in the applicable agreement. Any reproduction, modification, translation, compilation, or representation of this Source Code except as specified above is prohibited without the express written permission of Cypress.

Disclaimer: CYPRESS MAKES NO WARRANTY OF ANY KIND, EXPRESS OR IMPLIED, WITH REGARD TO THIS MATERIAL, INCLUDING, BUT NOT LIMITED TO, THE IMPLIED WARRANTIES OF MERCHANTABILITY AND FITNESS FOR A PARTICULAR PURPOSE. Cypress reserves the right to make changes without further notice to the materials described herein. Cypress does not assume any liability arising out of the application or use of any product or circuit described herein. Cypress does not authorize its products for use as critical components in life-support systems where a malfunction or failure may reasonably be expected to result in significant injury to the user. The inclusion of Cypress' product in a life-support systems application implies that the manufacturer assumes all risk of such use and in doing so indemnifies Cypress against all charges.

Use may be limited by and subject to the applicable Cypress software license agreement.