



MS115L Series

Ø115mm LED Signal Lights



- Triple-reflection system for enhanced visibility
- Enhanced Illumination : long-life, super bright LED
- Energy efficient : Low power consumption

Specifications

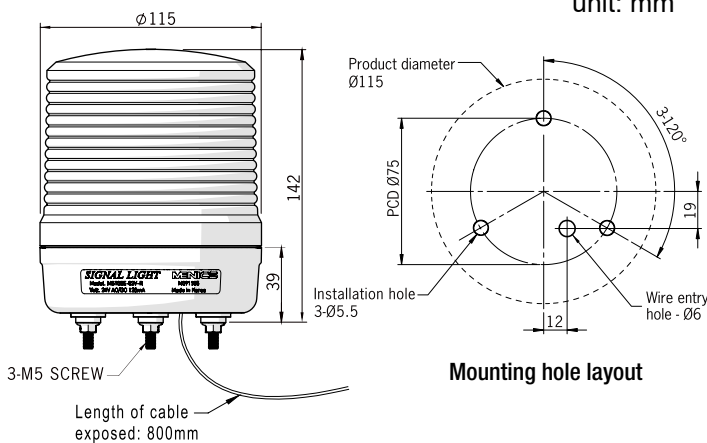
| | | | | | |
|---|-------------------------------|-------|-----------|-------|----------|
| Style | LED Steady, Flashing + Buzzer | | | | |
| Power Supply | 24VAC/DC | | 90~240VAC | | |
| Current Consumption (RMS value ±10%) | | LED | w/Buzzer | LED | w/Buzzer |
| | R | 0.13A | 0.16A | 0.07A | 0.10A |
| | Y | 0.11A | 0.14A | | |
| | G | 0.25A | 0.28A | | |
| | B | 0.25A | 0.28A | | |
| C | 0.29A | 0.32A | | | |
| Flash rate | 80 ±10 flashes/min | | | | |
| Alarm Sound Level | 80 ±5 dB at 1m | | | | |
| Vibration | 0.75mm at 10~55Hz | | | | |
| Ambient Temp. | -20~40°C | | | | |
| Storage Temp. | -20~70°C | | | | |
| Ambient Humidity | 45~85% RH | | | | |
| Degree of Protection | IP65 | | | | |
| Weight | Approx. 325g | | | | |
| Connection | 2464UL/22AWG | | | | |
| Certificate/Compliance | RoHS, UL | | | | |

Ordering Information

MS115L - F 02 - R
 ① ② ③

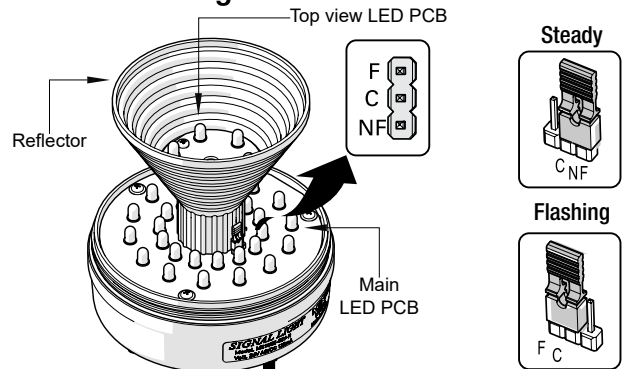
| | | |
|-------------------|-----------|---------------------------|
| ① Style | F | Steady & Flashing |
| | B | Steady & Flashing w/Alarm |
| ② Power Supply | 02 | 24V AC/DC |
| | FF | 90-240V AC |
| ③ Colors | R | Red |
| | Y | Yellow |
| | G | Green |
| | B | Blue |
| | C | Clear |

Dimensions



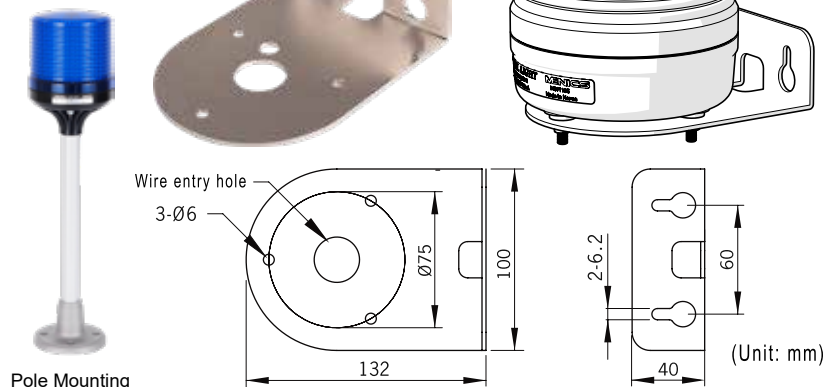
Mounting hole layout

Feature settings



Wall mounting options (for all MS115 Series)

Model: MAM-DS29
Material: Steel



Wiring Diagram

