

DM74ALS161B, DM74ALS162B, DM74ALS163B Synchronous Four-Bit Counter

Features

- Switching specifications at 50pF
- Switching specifications guaranteed over full temperature and V_{CC} range
- Advanced oxide-isolated, ion-implanted Schottky TTL process
- Functionally and pin-for-pin compatible with Schottky and low power Schottky TTL counterpart
- Improved AC performance over Schottky and low power Schottky counterparts
- Synchronously programmable
- Internal look ahead for fast counting
- Carry output for n-bit cascading
- Synchronous counting
- Load control line
- ESD inputs

General Description

These synchronous presettable counters feature an internal carry look ahead for application in high speed counting designs. The DM74ALS162B is a four-bit decade counter, while the DM74ALS161B and DM74ALS163B are four-bit binary counters. The DM74ALS161B clears asynchronously, while the DM74ALS162B and DM74ALS163B clear synchronously. The carry output is decoded to prevent spikes during normal counting mode of operation. Synchronous operation is provided by having all flip-flops clocked simultaneously so that outputs change coincident with each other when so instructed by count enable inputs and internal gating. This mode of operation eliminates the output counting spikes which are normally associated with asynchronous (ripple clock) counters. A buffered clock input triggers the four flip-flops on the rising (positive-going) edge of the clock input waveform.

These counters are fully programmable, that is, the outputs may be preset to either level. As presetting is synchronous, setting up a low level at the load input disables the counter and causes the outputs to agree with set up data after the next clock pulse regardless of the levels of enable input. LOW-to-HIGH transitions at the load input are perfectly acceptable regardless of the logic levels on the clock or enable inputs.

The DM74ALS161B clear function is asynchronous. A low level at the clear input sets all four of the flip-flop outputs LOW regardless of the levels of clock, load or enable inputs. These two counters are provided with a clear on power-up feature. The DM74ALS162B and DM74ALS163B clear function is synchronous; and a low level at the clear input sets all four of the flip-flop outputs

LOW after the next clock pulse, regardless of the levels of enable inputs. This synchronous clear allows the count length to be modified easily, as decoding the maximum count desired can be accomplished with one external NAND gate. The gate output is connected to the clear input to synchronously clear the counter to all low outputs. LOW-to-HIGH transitions at the clear input of the DM74ALS162B and DM74ALS163B are also permissible regardless of the levels of logic on the clock, enable or load inputs.

The carry look ahead circuitry provides for cascading counters for n bit synchronous application without additional gating. Instrumental in accomplishing this function are two count enable inputs (P and T) and a ripple carry output. Both count enable inputs must be HIGH to count. The T input is fed forward to enable the ripple carry output. The ripple carry output thus enabled will produce a high level output pulse with a duration approximately equal to the high level portion of QA output. This high level overflow ripple carry pulse can be used to enable successive cascaded stages. HIGH-to-LOW level transitions at the enable P or T inputs of the DM74ALS161B through DM74ALS163B may occur regardless of the logic level on the clock.

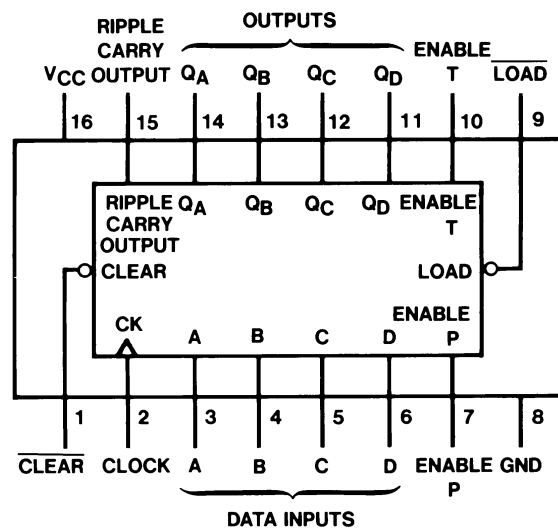
The DM74ALS161B through DM74ALS163B feature a fully independent clock circuit. changes made to control inputs (enable P or T, or load) that will modify the operating mode will have no effect until clocking occurs. The function of the counter (whether enabled, disabled, loading or counting) will be dictated solely by the conditions meeting the stable set-up and hold times.

Ordering Information

Order Number	Package Number	Package Description
DM74ALS161BM	M16A	16-Lead Small Outline Integrated Circuit (SOIC), JEDEC MS-012, 0.150" Narrow
DM74ALS162BM	M16A	16-Lead Small Outline Integrated Circuit (SOIC), JEDEC MS-012, 0.150" Narrow
DM74ALS162BN	N16E	16-Lead Plastic Dual-In-Line Package (PDIP), JEDEC MS-001, 0.300" Wide
DM74ALS163BM	M16A	16-Lead Small Outline Integrated Circuit (SOIC), JEDEC MS-012, 0.150" Narrow
DM74ALS163BN	N16E	16-Lead Plastic Dual-In-Line Package (PDIP), JEDEC MS-001, 0.300" Wide

Devices also available in Tape and Reel. Specify by appending the suffix letter "X" to the ordering number.

Connection Diagram



Mode Select Table

$\overline{\text{Clear}}$	$\overline{\text{Load}}$	Enable T	Enable P	Action on the Rising Clock Edge (\nearrow)
L	X	X	X	Reset (Clear)
H	L	X	X	Load ($P_n \rightarrow Q_n$)
H	H	H	H	Count (Increment)
H	H	L	X	No Change (Hold)
H	H	X	L	No Change (Hold)

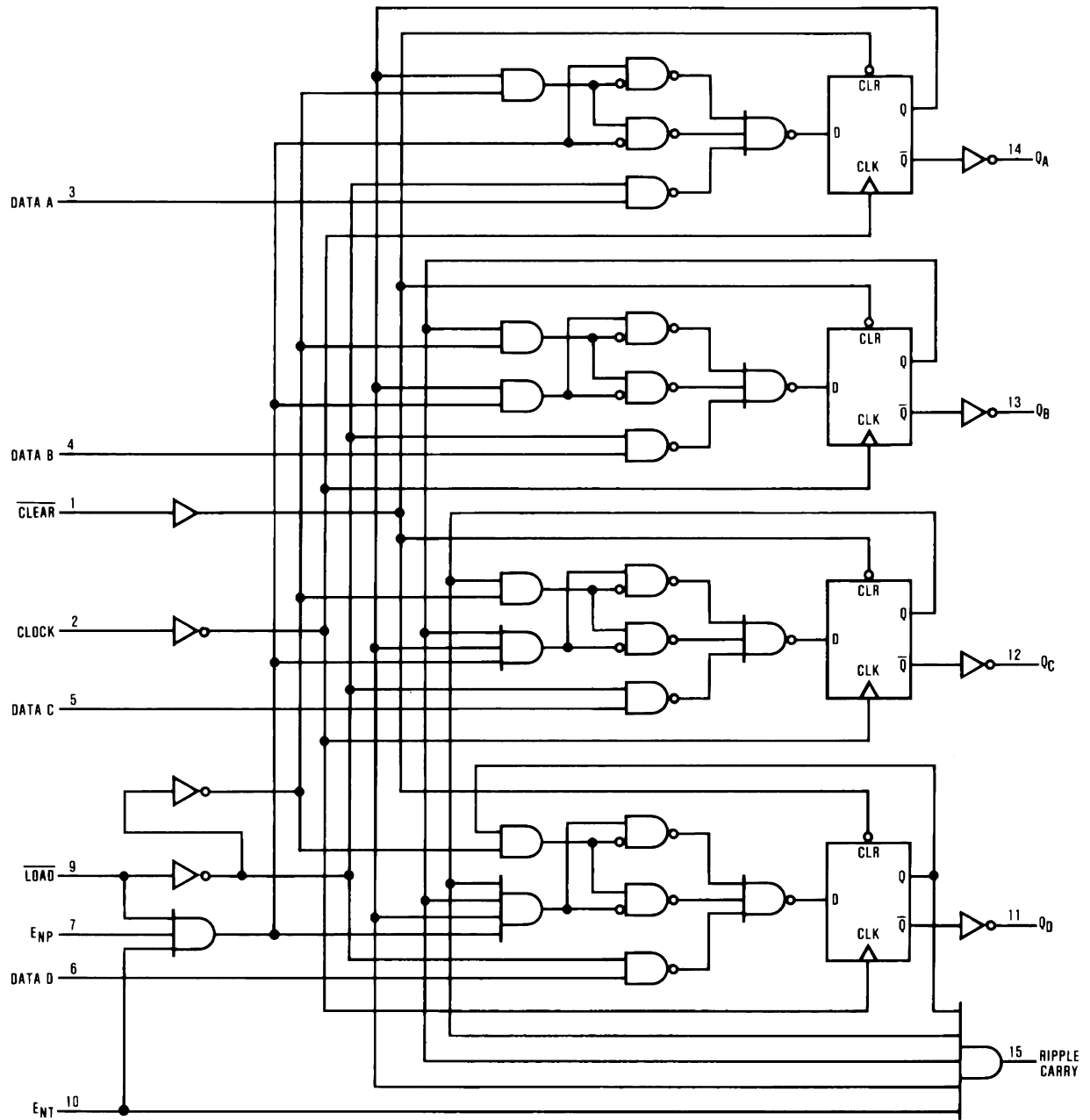
H = HIGH Voltage Level

L = LOW Voltage Level

X = Immaterial

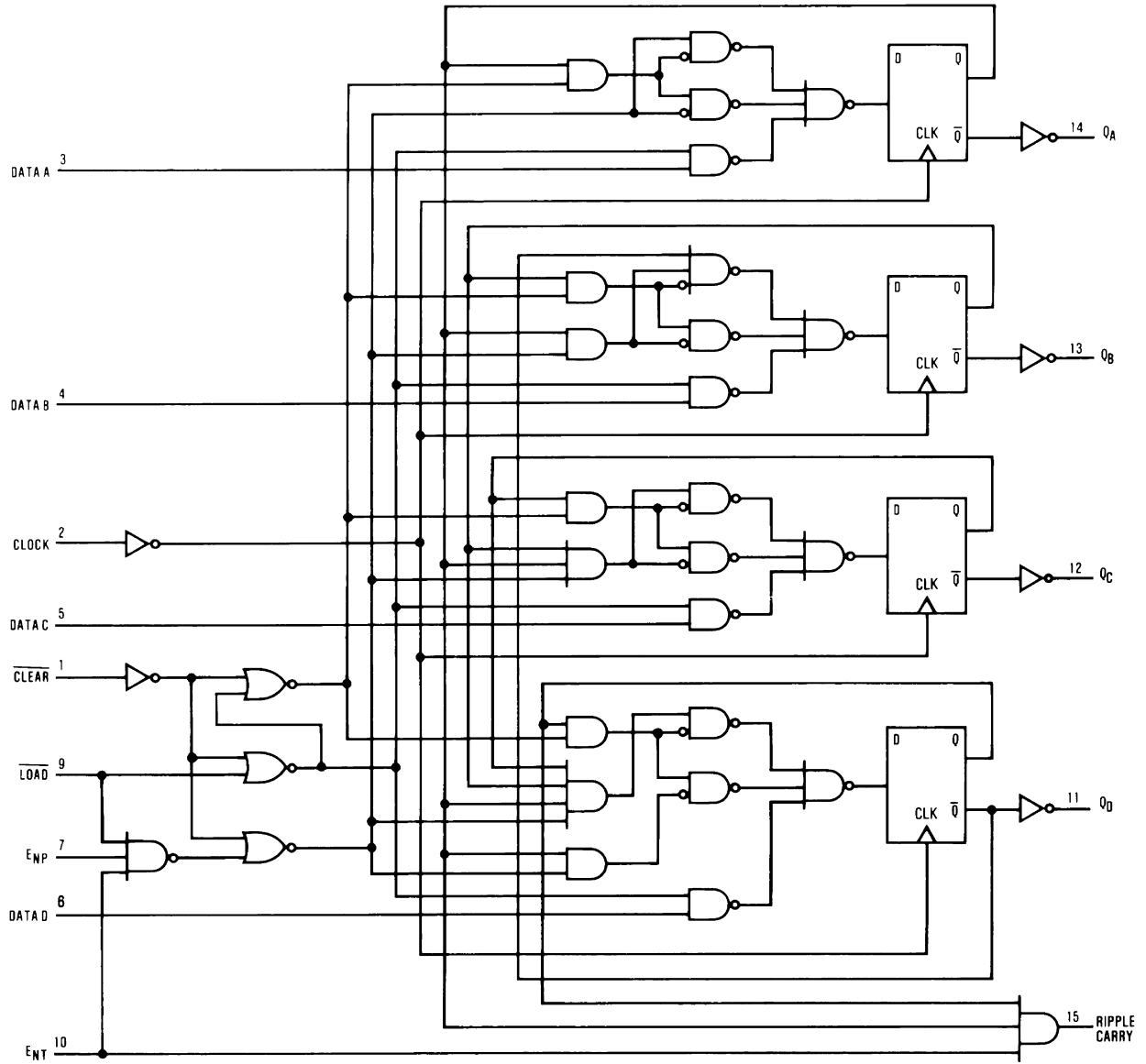
Logic Diagrams

DM74ALS161B



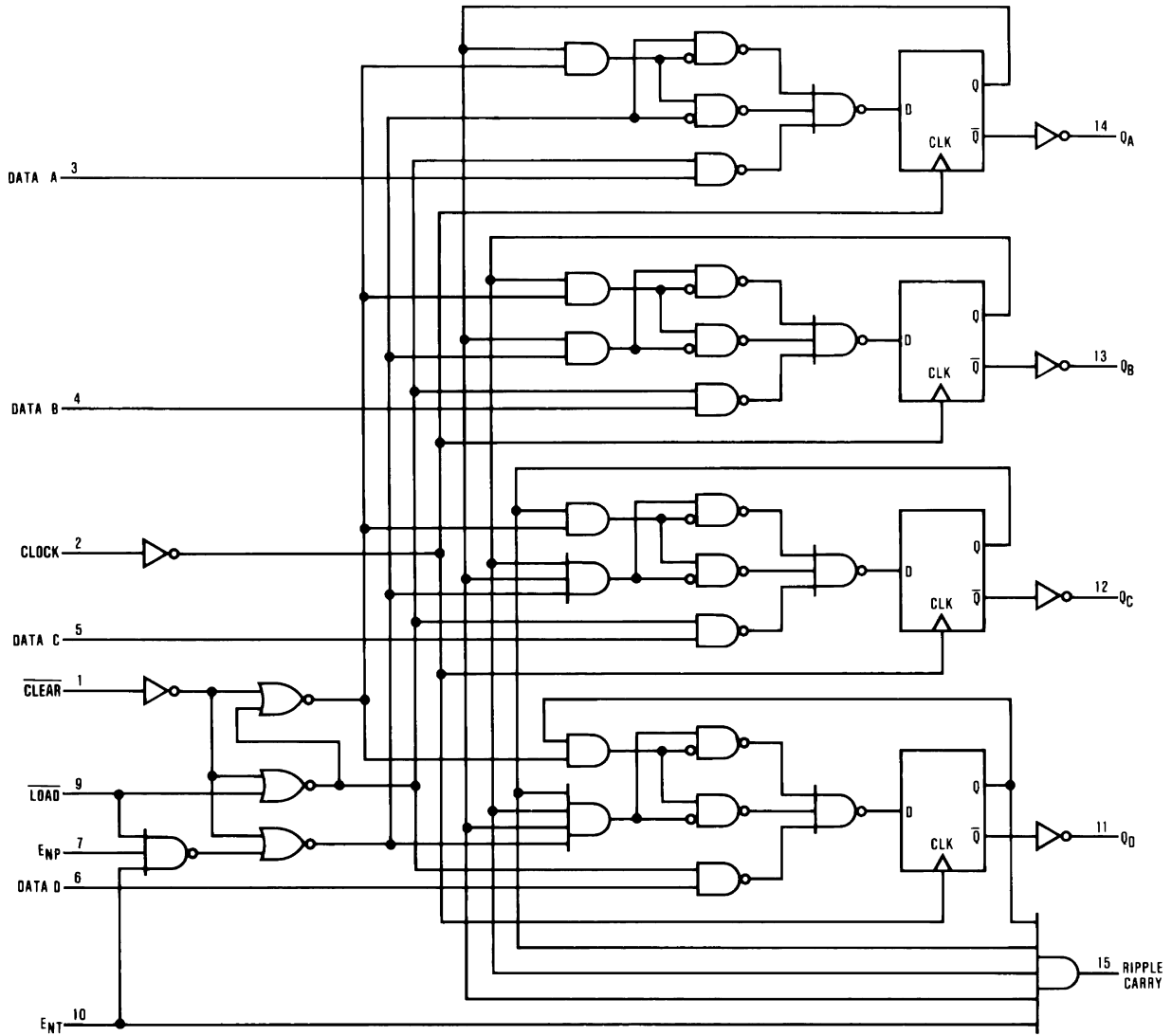
Logic Diagrams (Continued)

DM74ALS162B



Logic Diagrams (Continued)

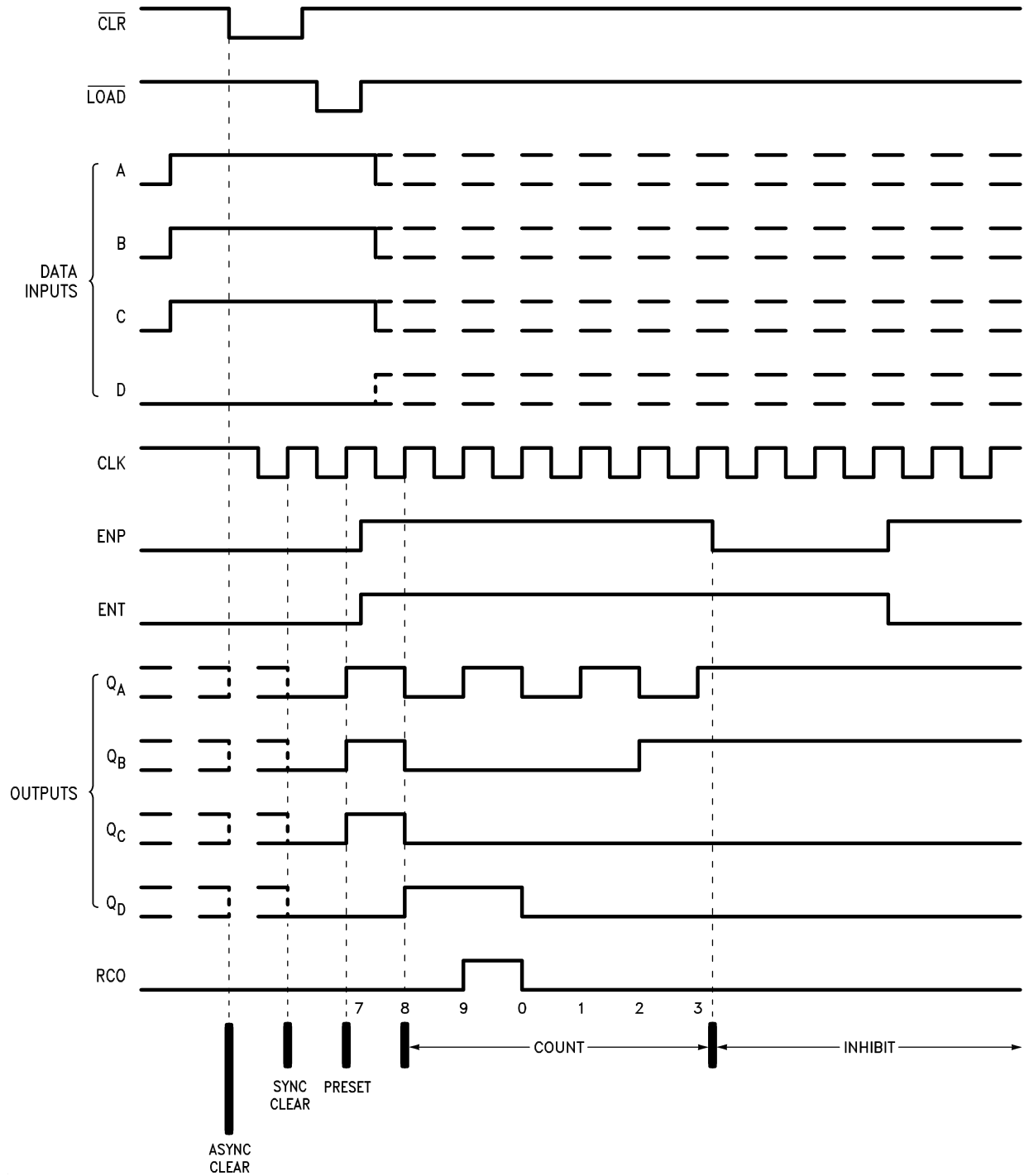
DM74ALS163B



DM74ALS161B, DM74ALS162B, DM74ALS163B Synchronous Four-Bit Counter

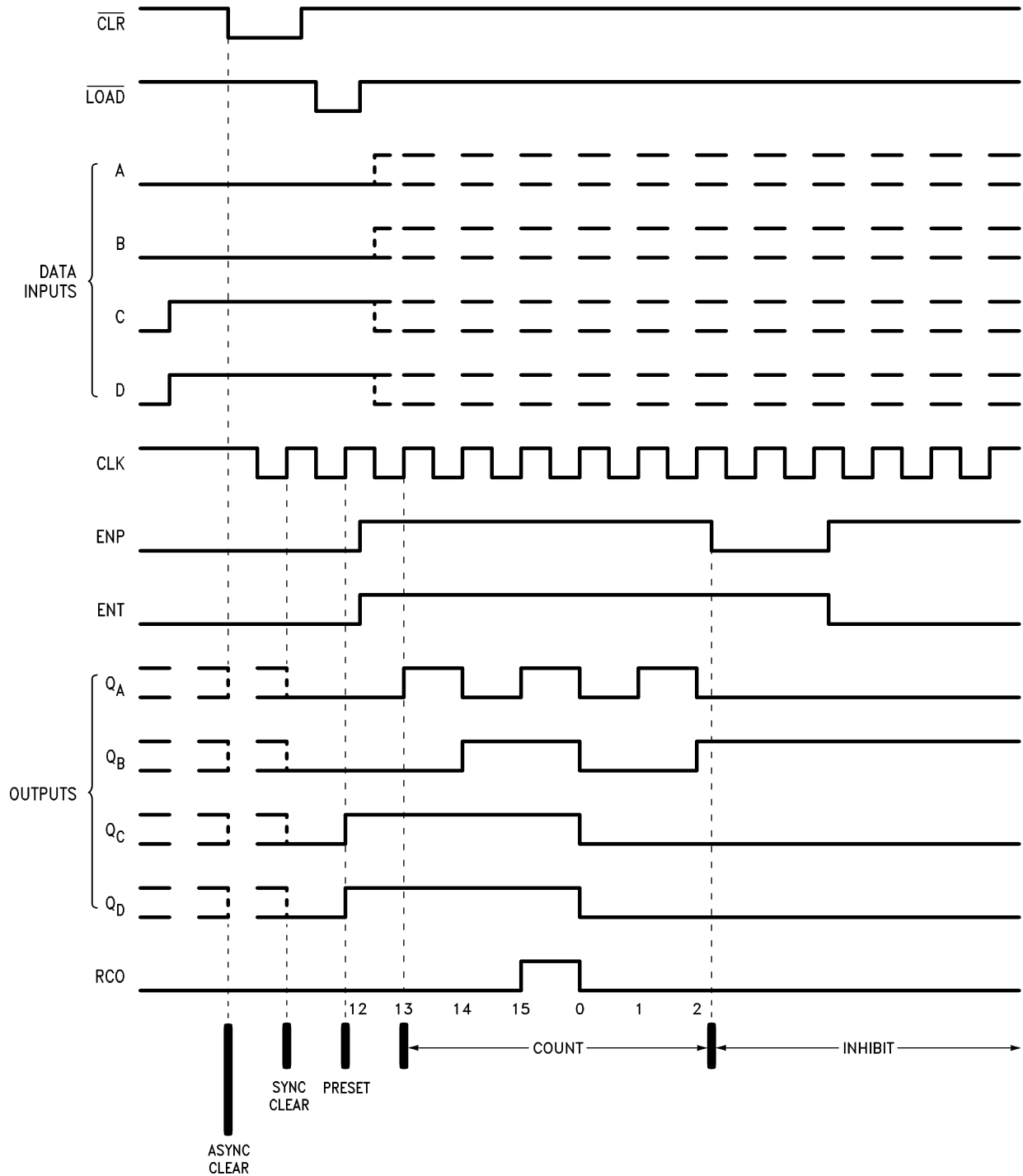
Timing Diagrams

DM74ALS162B



Timing Diagrams (Continued)

DM74ALS161B, DM74ALS163B



Absolute Maximum Ratings

Stresses exceeding the absolute maximum ratings may damage the device. The device may not function or be operable above the recommended operating conditions and stressing the parts to these levels is not recommended. In addition, extended exposure to stresses above the recommended operating conditions may affect device reliability. The absolute maximum ratings are stress ratings only.

Symbol	Parameter	Rating
V_{CC}	Supply Voltage	7V
V_I	Input Voltage	7V
T_A	Operating Free Air Temperature Range	0°C to +70°C
T_{STG}	Storage Temperature Range	-65°C to +150°C
θ_{JA}	Typical Thermal Resistance	
	N Package	78.1°C/W
	M Package	106.8°C/W

Recommended Operating Conditions

The Recommended Operating Conditions table defines the conditions for actual device operation. Recommended operating conditions are specified to ensure optimal performance to the datasheet specifications. Fairchild does not recommend exceeding them or designing to absolute maximum ratings.

Symbol	Parameter		Min.	Nom.	Max.	Units
V_{CC}	Supply Voltage		4.5	5	5.5	V
V_{IH}	HIGH Level Input Voltage		2			V
V_{IL}	LOW Level Input Voltage				0.8	V
I_{OH}	HIGH Level Output Current				-0.4	mA
I_{OL}	LOW Level Output Current				8	mA
f_{CLK}	Clock Frequency		0		40	MHz
t_{SETUP}	Setup Time	Data; A, B, C, D	15 ^{↑(1)}			ns
		En P, En T	15 ^{↑(1)}			
		Load	15 ^{↑(1)}			
		Clear (Only for DM74ALS162B and DM74ALS163B)	LOW	15 ^{↑(1)}		
	HIGH		12 ^{↑(1)}			
Setup 1 (Only for 161B)	Clear Inactive	10	4			
t_{HOLD}	Hold Time	Data; A, B, C, D	0 ^{↑(1)}	-3		ns
		En P, En T	0 ^{↑(1)}	-3		
		Load	0 ^{↑(1)}	-4		
		Clear (Only for DM74ALS162B and DM74ALS163B)	0 ^{↑(1)}	-7		
	Hold 0 (Only for 161B)	Clear	0	-4		
t_W	Width of Clock or Clear Pulse	CLK HIGH or LOW	12.5			ns
		DM74ALS161B \overline{CLR} LOW	15			
	Width of Load Pulse		15			
T_A	Operating Free Air Temperature		0		70	°C

Note:

1. The symbol ([↑]) indicates that the rising edge of the clock is used as a reference.

Electrical Characteristics

Over recommended operating free air temperature range. All typical values are measured at $V_{CC} = 5V$, $T_A = 25^\circ C$.

Symbol	Parameter	Conditions	Min.	Typ.	Max.	Units	
V_{IK}	Input Clamp Voltage	$V_{CC} = 4.5V$, $I_I = -18mA$			-1.5	V	
V_{OH}	HIGH Level Output Voltage	$I_{OH} = -0.4mA$, $V_{CC} = 4.5V$ to $5.5V$	$V_{CC} - 2$			V	
V_{OL}	LOW Level Output Voltage	$V_{CC} = 4.5V$	$I_{OL} = 4mA$		0.25	0.4	V
			$I_{OL} = 8mA$		0.35	0.5	
I_I	Input Current at Max. Input Voltage	$V_{CC} = 5.5V$, $V_{IH} = 7V$			0.1	mA	
I_{IH}	HIGH Level Input Current	$V_{CC} = 5.5V$, $V_{IH} = 2.7V$			20	μA	
I_{IL}	LOW Level Input Current	$V_{CC} = 5.5V$, $V_{IL} = 0.4V$			-0.2	mA	
I_O	Output Drive Current	$V_{CC} = 5.5V$, $V_O = 2.25V$	-30		-112	mA	
I_{CC}	Supply Current	$V_{CC} = 5.5V$		12	21	mA	

Switching Characteristics DM74ALS161B

Over recommended operating free air temperature range.

Symbol	Parameter	Conditions	From	To	Min.	Max.	Units
f_{MAX}	Maximum Clock Frequency	$V_{CC} = 4.5V$ to $5.5V$,			40		MHz
t_{PLH}	Propagation Delay Time, LOW-to-HIGH Level Output	$R_L = 500\Omega$, $C_L = 50pF$	Clock	Ripple Carry	5	20	ns
t_{PHL}	Propagation Delay Time, HIGH-to-LOW Level Output		Clock	Ripple Carry	5	20	ns
t_{PLH}	Propagation Delay Time, LOW-to-HIGH Level Output		Clock	Any Q	4	15	ns
t_{PHL}	Propagation Delay Time, HIGH-to-LOW Level Output		Clock	Any Q	6	20	ns
t_{PLH}	Propagation Delay Time, LOW-to-HIGH Level Output		En T	Ripple Carry	3	13	ns
t_{PHL}	Propagation Delay Time, HIGH-to-LOW Level Output		En T	Ripple Carry	3	13	ns
t_{PHL}	Propagation Delay Time, HIGH-to-LOW Level Output		Clear	Any Q	8	24	ns
			Clear	Ripple Carry	11	23	

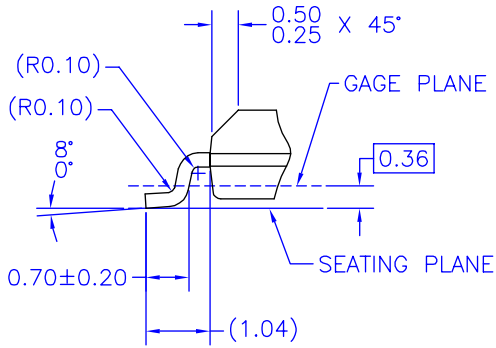
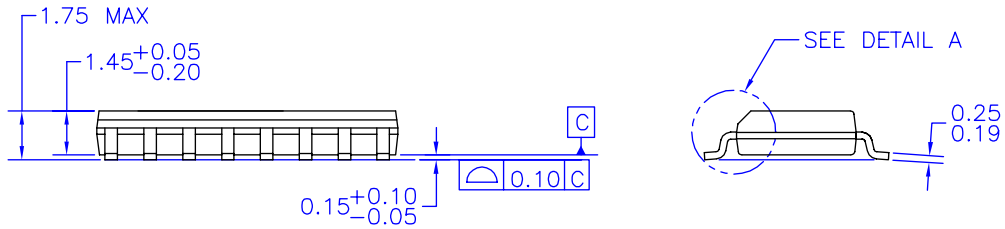
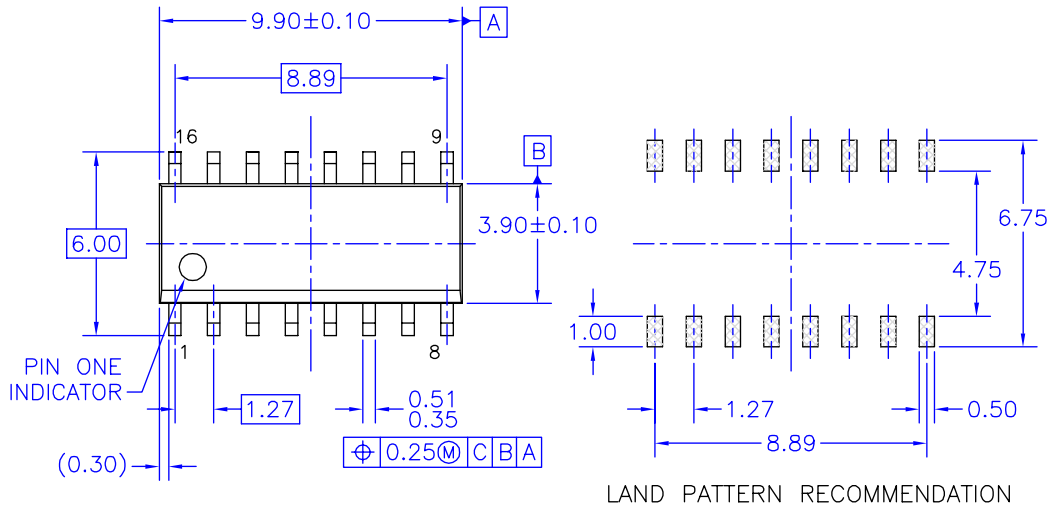
Switching Characteristics DM74ALS162B, DM74ALS163B

Over recommended operating free air temperature range.

Symbol	Parameter	Conditions	From	To	Min.	Max.	Units
f_{MAX}	Maximum Clock Frequency	$V_{CC} = 4.5V$ to $5.5V$,			40		MHz
t_{PLH}	Propagation Delay Time, LOW-to-HIGH Level Output	$R_L = 500\Omega$, $C_L = 50pF$,	Clock	Ripple Carry	5	20	ns
t_{PHL}	Propagation Delay Time, HIGH-to-LOW Level Output	$T_A = \text{Min. to Max.}$	Clock	Ripple Carry	5	20	ns
t_{PLH}	Propagation Delay Time, LOW-to-HIGH Level Output		Clock	Any Q	4	15	ns
t_{PHL}	Propagation Delay Time, HIGH-to-LOW Level Output		Clock	Any Q	6	20	ns
t_{PLH}	Propagation Delay Time, LOW-to-HIGH Level Output		En T	Ripple Carry	3	13	ns
t_{PHL}	Propagation Delay Time, HIGH-to-LOW Level Output		En T	Ripple Carry	3	13	ns

Physical Dimensions

Dimensions are in millimeters unless otherwise noted.



DETAIL A
SCALE: 2:1

NOTES: UNLESS OTHERWISE SPECIFIED

- A) THIS PACKAGE CONFORMS TO JEDEC MS-012, VARIATION AC, ISSUE C, DATED MAY 1990.
- B) ALL DIMENSIONS ARE IN MILLIMETERS.
- C) DIMENSIONS DO NOT INCLUDE MOLD FLASH OR BURRS.
- D) STANDARD LEAD FINISH:
200 MICRONS / 5.08 MICRONS MIN.
LEAD/TIN (SOLDER) ON COPPER.

M16AREVK

Figure 1. 16-Lead Small Outline Integrated Circuit (SOIC), JEDEC MS-012, 0.150" Narrow Package Number M16A

Physical Dimensions (Continued)

Dimensions are in inches (millimeters) unless otherwise noted.

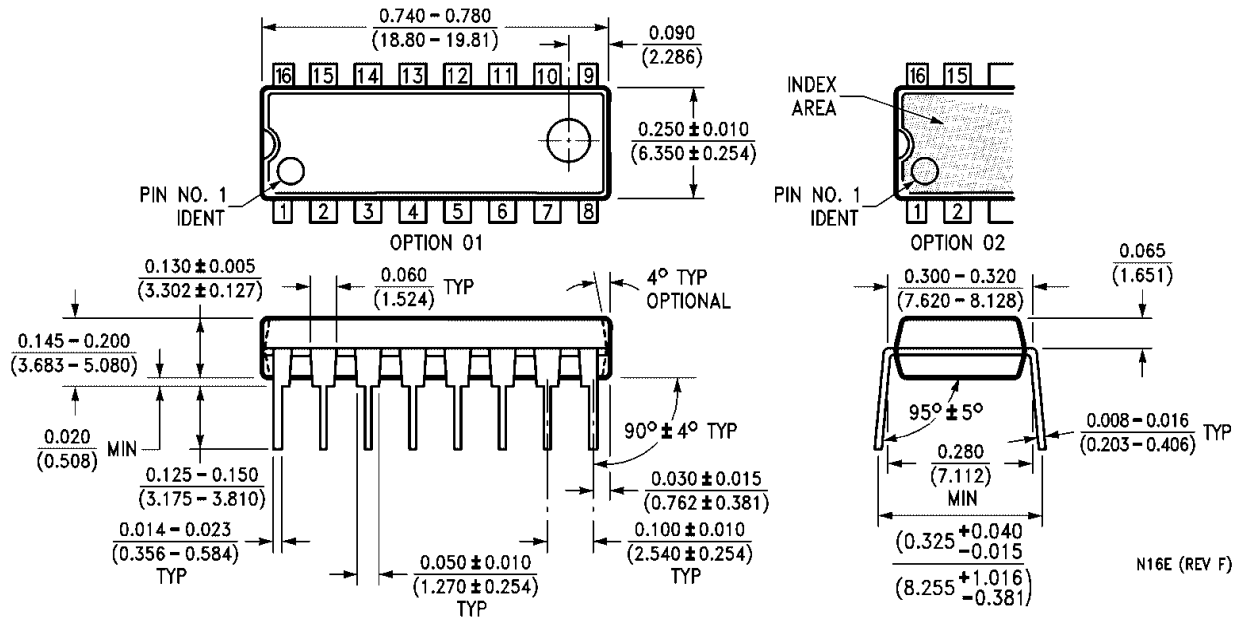



Figure 2. 16-Lead Plastic Dual-In-Line Package (PDIP), JEDEC MS-001, 0.300" Wide Package Number N16E



TRADEMARKS

The following are registered and unregistered trademarks and service marks Fairchild Semiconductor owns or is authorized to use and is not intended to be an exhaustive list of all such trademarks

ACEx®	Green FPS™ e-Series™	Power-SPM™	SyncFET™
Build it Now™	GTO™	PowerTrench®	The Power Franchise®
CorePLUS™	<i>i-Lo</i> ™	Programmable Active Droop™	 ™
CROSSVOLT™	IntelliMAX™	QFET®	TinyBoost™
CTL™	ISOPLANAR™	QS™	TinyBuck™
Current Transfer Logic™	MegaBuck™	QT Optoelectronics™	TinyLogic®
EcoSPARK®	MICROCOUPLER™	Quiet Series™	TINYOPTO™
FACT Quiet Series™	MicroPak™	RapidConfigure™	TinyPower™
FACT®	Motion-SPM™	SMART START™	TinyPWM™
FAST®	OPTOLOGIC®	SPM®	TinyWire™
FastvCore™	OPTOPLANAR®	STEALTH™	μSerDes™
FPS™	PDP-SPM™	SuperFET™	UHC®
FRFET®	Power220®	SuperSOT™-3	UniFET™
Global Power Resource™	Power247®	SuperSOT™-6	VCX™
Green FPS™	POWEREDGE®	SuperSOT™-8	

DISCLAIMER

FAIRCHILD SEMICONDUCTOR RESERVES THE RIGHT TO MAKE CHANGES WITHOUT FURTHER NOTICE TO ANY PRODUCTS HEREIN TO IMPROVE RELIABILITY, FUNCTION, OR DESIGN. FAIRCHILD DOES NOT ASSUME ANY LIABILITY ARISING OUT OF THE APPLICATION OR USE OF ANY PRODUCT OR CIRCUIT DESCRIBED HEREIN; NEITHER DOES IT CONVEY ANY LICENSE UNDER ITS PATENT RIGHTS, NOR THE RIGHTS OF OTHERS. THESE SPECIFICATIONS DO NOT EXPAND THE TERMS OF FAIRCHILD'S WORLDWIDE TERMS AND CONDITIONS, SPECIFICALLY THE WARRANTY THEREIN, WHICH COVERS THESE PRODUCTS.

LIFE SUPPORT POLICY

FAIRCHILD'S PRODUCTS ARE NOT AUTHORIZED FOR USE AS CRITICAL COMPONENTS IN LIFE SUPPORT DEVICES OR SYSTEMS WITHOUT THE EXPRESS WRITTEN APPROVAL OF FAIRCHILD SEMICONDUCTOR CORPORATION.

As used herein:

- Life support devices or systems are devices or systems which, (a) are intended for surgical implant into the body, or (b) support or sustain life, and (c) whose failure to perform when properly used in accordance with instructions for use provided in the labeling, can be reasonably expected to result in significant injury to the user.
- A critical component is any component of a life support device or system whose failure to perform can be reasonably expected to cause the failure of the life support device or system, or to affect its safety or effectiveness.

PRODUCT STATUS DEFINITIONS

Definition of Terms

Datasheet Identification	Product Status	Definition
Advance Information	Formative or In Design	This datasheet contains the design specifications for product development. Specifications may change in any manner without notice.
Preliminary	First Production	This datasheet contains preliminary data; supplementary data will be published at a later date. Fairchild Semiconductor reserves the right to make changes at any time without notice to improve design.
No Identification Needed	Full Production	This datasheet contains final specifications. Fairchild Semiconductor reserves the right to make changes at any time without notice to improve design.
Obsolete	Not In Production	This datasheet contains specifications on a product that has been discontinued by Fairchild semiconductor. The datasheet is printed for reference information only.

Rev. I28