



Bridgelux® Vesta® Flex NFC Programmer

Product Data Sheet DS 470



Product Feature Map

Bridgelux Vesta Flex NFC Programmer allows for easy customizing of the Vesta Flex Dual Channel Driver family programmable features. The NFC Programmer and the Driver both feature Near Field Communication (NFC) interfaces which enable short-range wireless communication between the two devices. The NFC Programmer comes with a proprietary application software compatible with Windows operating systems and a 1.8m long black USB cable for connecting the NFC Programmer's USB Micro B port with a USB A Male port on a Windows machine.

For more information on the Vesta Flex Dual Channel Driver and Control Module platform, please visit www.bridgelux.com or contact your local Bridgelux sales representative.



Product Nomenclature

The part number designation for the Bridgelux Vesta Flex NFC Programmer is explained as follows:

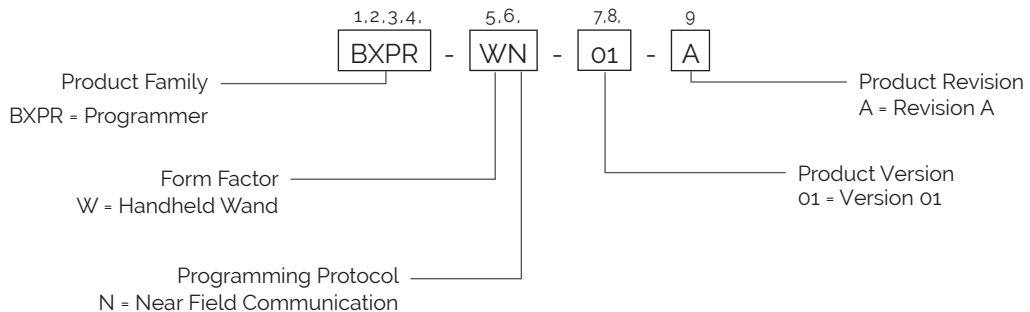


Table 1: Product Selection Guide

Part Number	Configuration
BXPR-WN-01-A	Handheld Wand with USB cable

Electrical and Environmental Characteristics

Table 2: Electrical Characteristics

Parameter	Specification
Input Voltage	5V ±5%
Input Power	1.25 W (max)
Input Current	250 mA (max)

Table 3: Environmental Conditions

Parameter	Specification
Operating Environment	For indoor use only
Ambient Operating Temperature	0°C to +45°C
Storage Temperature	-20°C to +70°C

User Information

The Vesta Flex Dual Channel Driver provides an NFC interface, which allows for programming specific driver settings in accordance with customer preferences. Please refer to a Vesta Flex Dual Channel Driver data sheet on www.bridgelux.com for information on different programming options for these drivers.

NFC Programmer Application Software

The Vesta Flex NFC Programmer requires Bridgelux proprietary application software to be installed on a Windows machine for the NFC Programmer to communicate with an easy to use graphical user interface. The application software can be downloaded at www.bridgelux.com/resources/vesta-flex-nfc-programmer-application-software.

In addition, the application software support automatic printing of 38.1mm x 12.7mm labels on a Zebra GK420d Direct Thermal Desktop Printer.

To start communicating with the NFC Programmer via its graphical user interface, connect the included USB cable with the programmer's USB Micro B port to a USB A Male port on a Windows machine and open the NFC Programmer Application Software. A user guide assisting with the installation of the application software and operating the graphical user interface when reading or writing parameters from or to a driver is available at www.bridgelux.com/resources/vesta-flex-nfc-programmer-user-guide.

NFC Programmer Operator Instructions

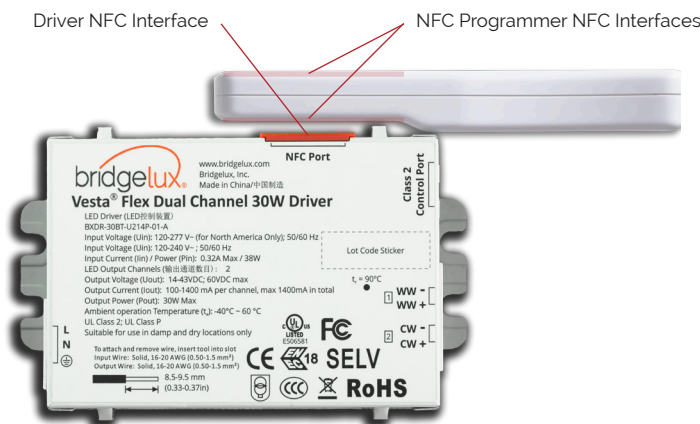
The NFC interface of a Vesta Flex Dual Channel Driver may be identified by an "NFC" label embossed in a red plastic cap on the side of the driver. The area of the red plastic cap represents the active area of the NFC interface. For more information on the location of the driver's NFC interface, please refer to the mechanical drawings in the Vesta Flex Dual Channel Driver data sheets on www.bridgelux.com.

Similar to the driver's NFC interface, the NFC Programmer's NFC interface may be identified by an "NFC" label embossed in the plastic housing of the programmer. The areas surrounding the embossed NFC label on the front and back side of the NFC Programmer represent the active areas of the NFC interface. The NFC's Programmer's mechanical drawing in Figure 2 shows the location of the active areas of the NFC Programmer's NFC interface.

To establish a NFC communication between the driver's NFC interface and the NFC Programmer's NFC interface, the active areas of the two interfaces need to align and be in close proximity, by bringing the programmer's front or back side active NFC area on top of the driver's active NFC area. When the two NFC interfaces are not aligned properly, then the NFC communication may be interrupted resulting in not being able to either read or write programming parameter from or to the driver. In this case, re-position the NFC Programmer's interface until communication is established and confirmed in the graphical user interface.

The driver does not need to be powered during the programming of the driver settings.

Figure 1: NFC Programmer Positioning

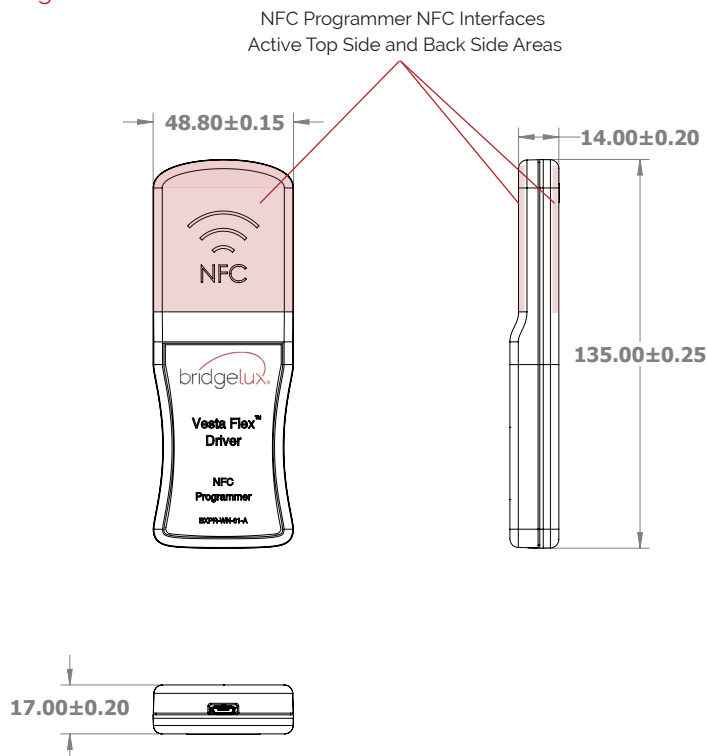


Mechanical Characteristics

Table 4: Mechanical Characteristics

Properties	Specification
Enclosure Material	Plastic
Weight	62 grams

Figure 2: Mechanical Drawing



Notes for Figure 2:

1. Drawing dimensions are in millimeters

Packaging

Table 5: Packaging Configuration

Box	Specification
Outer dimensions	172 mm (L) x 86 mm (W) x 60 mm (H)
Weight	167 grams
Content	1x Vesta Flex NFC Programmer, 1x USB cable (1.8m)

Design Resources

Application Notes

Please contact your Bridgelux sales representative for assistance on obtaining application support when programming the Bridgelux Vesta Flex Dual Channel Driver. For a list of available resources, visit www.bridgelux.com.

3D CAD Models

CAD models depicting the Vesta Flex NFC Programmer are available in both IGES and STEP formats. Please contact your Bridgelux sales representative for assistance.

Precautions

CAUTION: PRODUCT HANDLING

Incorrect positioning of the NFC Programmer NFC port with the driver NFC port may prevent the NFC Programmer graphical user interface from reading or writing from or to a driver.

Handle the Vesta Flex Dual Channel Driver and NFC Programmer with care to prevent any damage from mechanical shock.

It is recommended to handle the NFC Programmer in a static-free environment.

Do not open or disassemble.

To maintain product warranty, the user is responsible for ensuring that the product's operating conditions do not exceed the maximum conditions stated within this data sheet.

CAUTION: PRODUCT INSTALLATION

Incorrect installation of the NFC Programmer application software, a disconnected USB connection or incorrect positioning of the programmer may prevent a user from communicating with the driver via the programmer's graphical user interface.

Disclaimers

MINOR PRODUCT CHANGE POLICY

The rigorous qualification testing on products offered by Bridgelux provides performance assurance. Slight cosmetic changes that do not affect form, fit, or function may occur as Bridgelux continues product optimization.

About Bridgelux: Bridging Light and Life™

At Bridgelux, we help companies, industries and people experience the power and possibility of light. Since 2002, we've designed LED solutions that are high performing, energy efficient, cost effective and easy to integrate. Our focus is on light's impact on human behavior, delivering products that create better environments, experiences and returns—both experiential and financial. And our patented technology drives new platforms for commercial and industrial luminaires.

For more information about the company, please visit

bridgelux.com

twitter.com/Bridgelux

facebook.com/Bridgelux

youtube.com/user/Bridgelux

linkedin.com/company/bridgelux

WeChat ID: BridgeluxInChina



46430 Fremont Blvd
Fremont, CA 94538 USA
Tel (925) 583-8400
www.bridgelux.com

© 2020 Bridgelux, Inc. All rights reserved 2020. Product specifications are subject to change without notice. Bridgelux, the Bridgelux stylized logo design and Vesta are registered trademarks of Bridgelux, Inc. Bridging Light and Life is a trademark of Bridgelux, Inc. All other trademarks are the property of their respective owners.

Bridgelux Vesta Flex NFC Programmer Data Sheet DS470 Rev. A (10/2020)