

MC10124

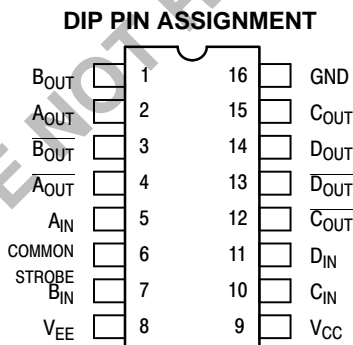
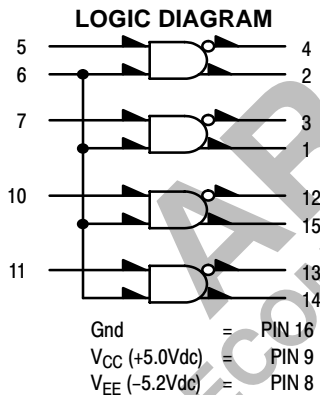
Quad TTL to MECL Translator

The MC10124 is a quad translator for interfacing data and control signals between a saturated logic section and the MECL section of digital systems. The MC10124 has TTL compatible inputs, and MECL complementary open-emitter outputs that allow use as an inverting/ non-inverting translator or as a differential line driver. When the common strobe input is at the low logic level, it forces all true outputs to a MECL low logic state and all inverting outputs to a MECL high logic state.

Power supply requirements are ground, +5.0 Volts, and -5.2 Volts. Propagation delay of the MC10124 is typically 3.5 ns. The dc levels are standard or Schottky TTL in, MECL 10,000 out.

An advantage of this device is that TTL level information can be transmitted differentially, via balanced twisted pair lines, to the MECL equipment, where the signal can be received by the MC10115 or MC10116 differential line receivers. The MC10124 is useful in computers, instrumentation, peripheral controllers, test equipment, and digital communications systems.

- $P_D = 380 \text{ mW typ/pkg (No Load)}$
- $t_{pd} = 3.5 \text{ ns typ (+ 1.5 Vdc in to 50% out)}$
- $t_r, t_f = 2.5 \text{ ns typ (20% - 80%)}$



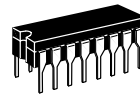
Pin assignment is for Dual-in-Line Package.
 For PLCC pin assignment, see the Pin Conversion Tables on page 18 of the ON Semiconductor MECL Data Book (DL122/D).



ON Semiconductor

<http://onsemi.com>

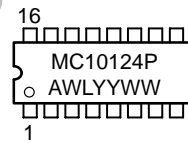
MARKING DIAGRAMS



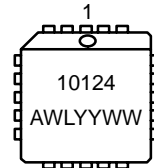
CDIP-16
L SUFFIX
CASE 620



PDIP-16
P SUFFIX
CASE 648



PLCC-20
FN SUFFIX
CASE 775



A = Assembly Location
 WL = Wafer Lot
 YY = Year
 WW = Work Week

ORDERING INFORMATION

Device	Package	Shipping
MC10124L	CDIP-16	25 Units / Rail
MC10124P	PDIP-16	25 Units / Rail
MC10124FN	PLCC-20	46 Units / Rail

MC10124

ELECTRICAL CHARACTERISTICS

Characteristic	Symbol	Pin Under Test	Test Limits							Unit
			-30°C		+25°C			+85°C		
			Min	Max	Min	Typ	Max	Min	Max	
Negative Power Supply Drain Current	I_E	8		72			66		72	mAdc
Positive Power Supply Drain Current	I_{CCH}	9		16			16		18	mAdc
	I_{CCL}	9		25			25		25	mAdc
Reverse Current	I_R	6		200			200		200	μ Adc
		7		50			50		50	μ Adc
Forward Current	I_F	6		-12.8			-12.8		-12.8	mAdc
		7		-3.2			-3.2		-3.2	mAdc
Input Breakdown Voltage	BV_{in}	6	5.5		5.5			5.5		Vdc
		7	5.5		5.5			5.5		Vdc
Clamp Input Voltage	V_I	6		-1.5			-1.5		-1.5	Vdc
		7		-1.5			-1.5		-1.5	Vdc
High Output Voltage	V_{OH}	1	-1.060	-0.890	-0.960		-0.810	-0.890	-0.700	Vdc
		3	-1.060	-0.890	-0.960		-0.810	-0.890	-0.700	Vdc
Low Output Voltage	V_{OL}	1	-1.890	-1.675	-1.850		-1.650	-1.825	-1.615	Vdc
		3	-1.890	-1.675	-1.850		-1.650	-1.825	-1.615	Vdc
High Threshold Voltage	V_{OHA}	1	-1.080		-0.980			-0.910		Vdc
		3	-1.080		-0.980			-0.910		Vdc
Low Threshold Voltage	V_{OLA}	1		-1.655			-1.630		-1.595	Vdc
		3		-1.655			-1.630		-1.595	Vdc
Switching Times (50 Ω Load)										ns
Propagation Delay (+3.5Vdc to 50%) ¹	t_{6+1+}	1	1.5	6.8	1.0	3.5	6.0	1.0	6.0	
	t_{6-1-}	1	1.0	6.0	1.0	3.5	6.0	1.5	6.8	
	t_{7+1+}	1	1.5	6.8	1.0	3.5	6.0	1.0	6.0	
	t_{7-1-}	1	1.0	6.0	1.0	3.5	6.0	1.5	6.8	
	t_{7+3-}	3	1.5	6.8	1.0	3.5	6.0	1.0	6.0	
	t_{7-3+}	3	1.0	6.0	1.0	3.5	6.0	1.5	6.8	
Rise Time (20 to 80%)	t_{1+}	1	1.0	4.2	1.1	2.5	3.9	1.1	4.3	
Fall Time (20 to 80%)	t_{1-}	1	1.0	4.2	1.1	2.5	3.9	1.1	4.3	

1. See switching time test circuit. Propagation delay for this circuit is specified from +1.5Vdc in to the 50% point on the output waveform. The +3.5Vdc is shown here because all logic and supply levels are shifted 2 volts positive.

MC10124

ELECTRICAL CHARACTERISTICS (continued)

@ Test Temperature -30°C +25°C +85°C			TEST VOLTAGE VALUES (Volts)					Gnd
			V _{IH}	V _{ILmax}	V _{IHA'}	V _{ILA'}	V _F	
			+4.0	+0.40	+2.00	+1.10	+0.40	
			+4.0	+0.40	+1.80	+1.10	+0.40	
Characteristic	Symbol	Pin Under Test	TEST VOLTAGE APPLIED TO PINS LISTED BELOW					
			V _{IH}	V _{ILmax}	V _{IHA'}	V _{ILA'}	V _F	
Negative Power Supply Drain Current	I _E	8						16
Positive Power Supply Drain Current	I _{CCH}	9	5,6,7,10,11					16
	I _{CCL}	9						5,6,7,10,11,16
Reverse Current	I _R	6					5,7,10,11	16
		7					6	16
Forward Current	I _F	6	5,7,10,11				6	16
		7	6				7	16
Input Breakdown Voltage	BV _{in}	6						5,7,10,11,16
		7						6,16
Clamp Input Voltage	V _I	6						16
		7						16
High Output Voltage	V _{OH}	1	6,7					16
		3		6,7				16
Low Output Voltage	V _{OL}	1		6,7				16
		3	6,7					16
High Threshold Voltage	V _{OHA}	1	6		7		7	16
		3	6					16
Low Threshold Voltage	V _{OLA}	1	6			7		16
		3	6		7			16
Switching Times (50Ω Load)			+6.0 V	Pulse In	Pulse Out			+2.0 V
Propagation Delay (+3.5Vdc to 50%) ¹	t ₆₊₁₊	1	7	6	1			16
	t ₆₋₁₋	1	7	6	1			16
	t ₇₊₁₊	1	6	7	1			16
	t ₇₋₁₋	1	6	7	1			16
	t ₇₊₃₋	3	6	7	3			16
	t ₇₋₃₊	3	6	7	3			16
Rise Time (20 to 80%)	t ₁₊	1	6	7	1			16
Fall Time (20 to 80%)	t ₁₋	1	6	7	1			16

1. See switching time test circuit. Propagation delay for this circuit is specified from +1.5Vdc in to the 50% point on the output waveform. The +3.5Vdc is shown here because all logic and supply levels are shifted 2 volts positive.

MC10124

ELECTRICAL CHARACTERISTICS (continued)

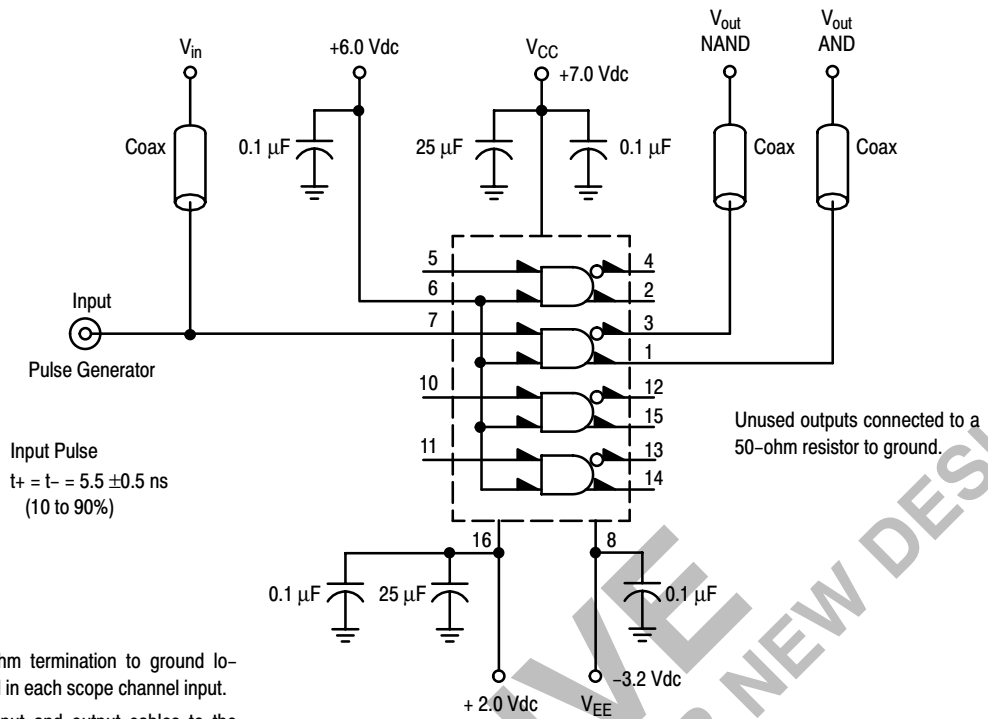
			TEST VOLTAGE VALUES (Volts)			(mA)				
			V_R	V_{CC}	V_{EE}	I_I	I_{in}			
			@ Test Temperature							
			-30°C	+2.40	+5.00	-5.2	-10		+1.0	
					$+25^{\circ}\text{C}$	+2.40	+5.00	-5.2	-10	+1.0
					$+85^{\circ}\text{C}$	+2.40	+5.00	-5.2	-10	+1.0
Characteristic	Symbol	Pin Under Test	TEST VOLTAGE APPLIED TO PINS LISTED BELOW					Gnd		
			V_R	V_{CC}	V_{EE}	I_I	I_{in}			
Negative Power Supply Drain Current	I_E	8		9	8			16		
Positive Power Supply Drain Current	I_{CCH}	9		9	8			16		
	I_{CCL}	9		9	8			5,6,7,10,11,16		
Reverse Current	I_R	6	6	9	8			16		
		7	7	9	8			16		
Forward Current	I_F	6		9	8			16		
		7		9	8			16		
Input Breakdown Voltage	BV_{in}	6		9	8		6	5,7,10,11,16		
		7		9	8		7	6,16		
Clamp Input Voltage	V_I	6		9	8	6		16		
		7		9	8	7		16		
High Output Voltage	V_{OH}	1		9	8			16		
		3		9	8			16		
Low Output Voltage	V_{OL}	1		9	8			16		
		3		9	8			16		
High Threshold Voltage	V_{OHA}	1		9	8			16		
		3		9	8			16		
Low Threshold Voltage	V_{OLA}	1		9	8			16		
		3		9	8			16		
Switching Times (50 Ω Load)				+7.0 V	-3.2 V			+2.0 V		
Propagation Delay (+3.5Vdc to 50%) ¹	t_{6+1+}	1		9	8			16		
	t_{6-1-}	1		9	8			16		
	t_{7+1+}	1		9	8			16		
	t_{7-1-}	1		9	8			16		
	t_{7+3-}	3		9	8			16		
	t_{7-3+}	3		9	8			16		
Rise Time (20 to 80%)	t_{1+}	1		9	8			16		
Fall Time (20 to 80%)	t_{1-}	1		9	8			16		

1. See switching time test circuit. Propagation delay for this circuit is specified from +1.5Vdc in to the 50% point on the output waveform. The +3.5Vdc is shown here because all logic and supply levels are shifted 2 volts positive.

Each MECL 10,000 series circuit has been designed to meet the dc specifications shown in the test table, after thermal equilibrium has been established. The circuit is in a test socket or mounted on a printed circuit board and transverse air flow greater than 500 linear fpm is maintained. Outputs are terminated through a 50-ohm resistor to -2.0 volts. Test procedures are shown for only one gate. The other gates are tested in the same manner.

MC10124

SWITCHING TIME TEST CIRCUIT



50-ohm termination to ground located in each scope channel input.
 All input and output cables to the scope are equal lengths of 50-ohm coaxial cable. Wire length should be < 1/4 inch from TP_{in} to input pin and TP_{out} to output pin.

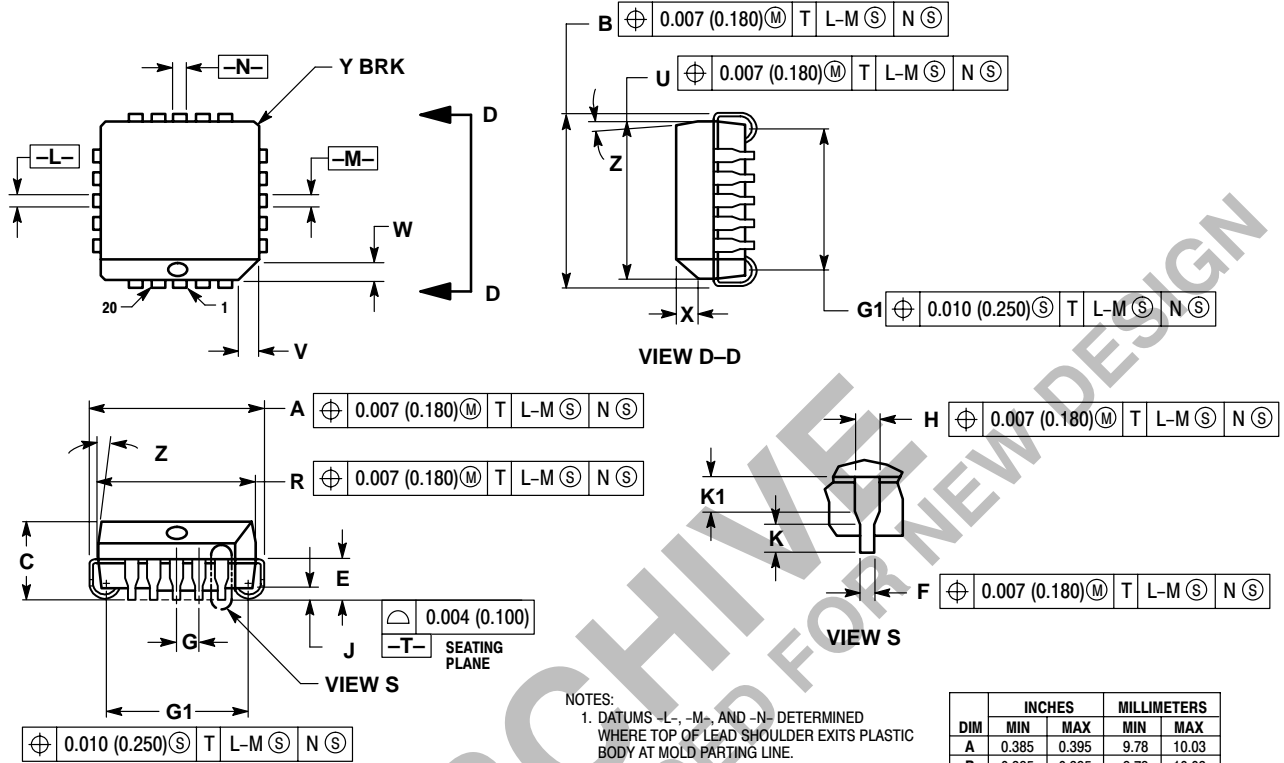
NOTE: All power supply and logic levels are shown shifted 2 volts positive.

ARCHIVED FOR NEW DESIGN
 DEVICE NOT RECOMMENDED

MC10124

PACKAGE DIMENSIONS

PLCC-20
FN SUFFIX
PLASTIC PLCC PACKAGE
CASE 775-02
ISSUE C



NOTES:

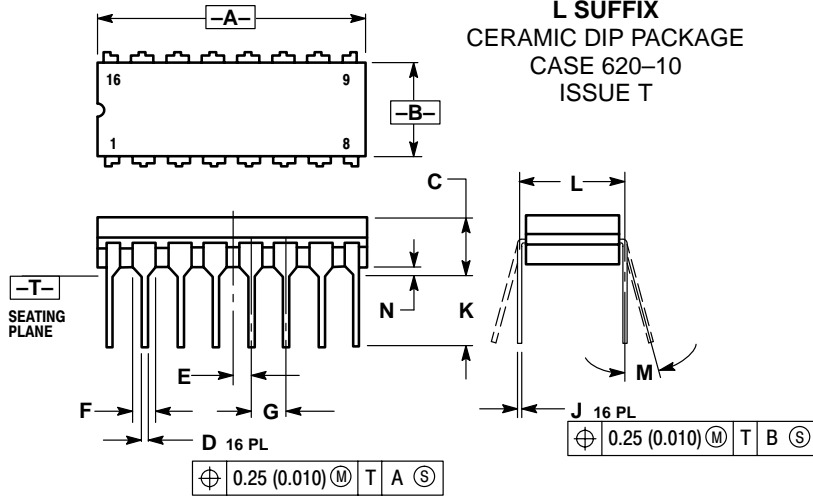
- DATUMS -L-, -M-, AND -N- DETERMINED WHERE TOP OF LEAD SHOULDER EXITS PLASTIC BODY AT MOLD PARTING LINE.
- DIMENSION G1, TRUE POSITION TO BE MEASURED AT DATUM -T-, SEATING PLANE.
- DIMENSIONS R AND U DO NOT INCLUDE MOLD FLASH. ALLOWABLE MOLD FLASH IS 0.010 (0.250) PER SIDE.
- DIMENSIONING AND TOLERANCING PER ANSI Y14.5M, 1982.
- CONTROLLING DIMENSION: INCH.
- THE PACKAGE TOP MAY BE SMALLER THAN THE PACKAGE BOTTOM BY UP TO 0.012 (0.300). DIMENSIONS R AND U ARE DETERMINED AT THE OUTERMOST EXTREMES OF THE PLASTIC BODY EXCLUSIVE OF MOLD FLASH, TIE BAR BURRS, GATE BURRS AND INTERLEAD FLASH, BUT INCLUDING ANY MISMATCH BETWEEN THE TOP AND BOTTOM OF THE PLASTIC BODY.
- DIMENSION H DOES NOT INCLUDE DAMBAR PROTRUSION OR INTRUSION. THE DAMBAR PROTRUSION(S) SHALL NOT CAUSE THE H DIMENSION TO BE GREATER THAN 0.037 (0.940). THE DAMBAR INTRUSION(S) SHALL NOT CAUSE THE H DIMENSION TO BE SMALLER THAN 0.025 (0.635).

DIM	INCHES		MILLIMETERS	
	MIN	MAX	MIN	MAX
A	0.385	0.395	9.78	10.03
B	0.385	0.395	9.78	10.03
C	0.165	0.180	4.20	4.57
E	0.090	0.110	2.29	2.79
F	0.013	0.019	0.33	0.48
G	0.050 BSC		1.27 BSC	
H	0.026	0.032	0.66	0.81
J	0.020	---	0.51	---
K	0.025	---	0.64	---
R	0.350	0.356	8.89	9.04
U	0.350	0.356	8.89	9.04
V	0.042	0.048	1.07	1.21
W	0.042	0.048	1.07	1.21
X	0.042	0.056	1.07	1.42
Y	---	0.020	---	0.50
Z	2°	10°	2°	10°
G1	0.310	0.330	7.88	8.38
K1	0.040	---	1.02	---

MC10124

PACKAGE DIMENSIONS

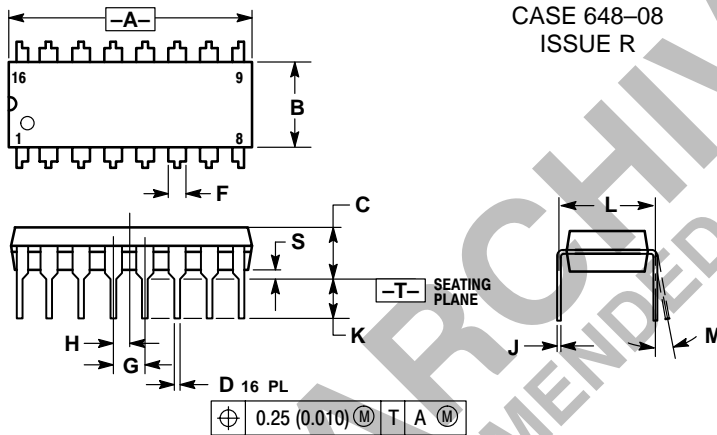
CDIP-16 L SUFFIX CERAMIC DIP PACKAGE CASE 620-10 ISSUE T



- NOTES:
1. DIMENSIONING AND TOLERANCING PER ANSI Y14.5M, 1982.
 2. CONTROLLING DIMENSION: INCH.
 3. DIMENSION L TO CENTER OF LEAD WHEN FORMED PARALLEL.
 4. DIMENSION F MAY NARROW TO 0.76 (0.030) WHERE THE LEAD ENTERS THE CERAMIC BODY.

DIM	INCHES		MILLIMETERS	
	MIN	MAX	MIN	MAX
A	0.750	0.785	19.05	19.93
B	0.240	0.295	6.10	7.49
C	---	0.200	---	5.08
D	0.015	0.020	0.39	0.50
E	0.050 BSC		1.27 BSC	
F	0.055	0.065	1.40	1.65
G	0.100 BSC		2.54 BSC	
H	0.008	0.015	0.21	0.38
K	0.125	0.170	3.18	4.31
L	0.300 BSC		7.62 BSC	
M	0°	15°	0°	15°
N	0.020	0.040	0.51	1.01

PDIP-16 P SUFFIX PLASTIC DIP PACKAGE CASE 648-08 ISSUE R



- NOTES:
1. DIMENSIONING AND TOLERANCING PER ANSI Y14.5M, 1982.
 2. CONTROLLING DIMENSION: INCH.
 3. DIMENSION L TO CENTER OF LEADS WHEN FORMED PARALLEL.
 4. DIMENSION B DOES NOT INCLUDE MOLD FLASH.
 5. ROUNDED CORNERS OPTIONAL.

DIM	INCHES		MILLIMETERS	
	MIN	MAX	MIN	MAX
A	0.740	0.770	18.80	19.55
B	0.250	0.270	6.35	6.85
C	0.145	0.175	3.69	4.44
D	0.015	0.021	0.39	0.53
F	0.040	0.70	1.02	1.77
G	0.100 BSC		2.54 BSC	
H	0.050 BSC		1.27 BSC	
J	0.008	0.015	0.21	0.38
K	0.110	0.130	2.80	3.30
L	0.295	0.305	7.50	7.74
M	0°	10°	0°	10°
S	0.020	0.040	0.51	1.01

ARCHIVE
RECOMMENDED FOR NEW DESIGN

ON Semiconductor and  are trademarks of Semiconductor Components Industries, LLC (SCILLC). SCILLC reserves the right to make changes without further notice to any products herein. SCILLC makes no warranty, representation or guarantee regarding the suitability of its products for any particular purpose, nor does SCILLC assume any liability arising out of the application or use of any product or circuit, and specifically disclaims any and all liability, including without limitation special, consequential or incidental damages. "Typical" parameters which may be provided in SCILLC data sheets and/or specifications can and do vary in different applications and actual performance may vary over time. All operating parameters, including "Typicals" must be validated for each customer application by customer's technical experts. SCILLC does not convey any license under its patent rights nor the rights of others. SCILLC products are not designed, intended, or authorized for use as components in systems intended for surgical implant into the body, or other applications intended to support or sustain life, or for any other application in which the failure of the SCILLC product could create a situation where personal injury or death may occur. Should Buyer purchase or use SCILLC products for any such unintended or unauthorized application, Buyer shall indemnify and hold SCILLC and its officers, employees, subsidiaries, affiliates, and distributors harmless against all claims, costs, damages, and expenses, and reasonable attorney fees arising out of, directly or indirectly, any claim of personal injury or death associated with such unintended or unauthorized use, even if such claim alleges that SCILLC was negligent regarding the design or manufacture of the part. SCILLC is an Equal Opportunity/Affirmative Action Employer.

PUBLICATION ORDERING INFORMATION

Literature Fulfillment:

Literature Distribution Center for ON Semiconductor
P.O. Box 5163, Denver, Colorado 80217 USA
Phone: 303-675-2175 or 800-344-3860 Toll Free USA/Canada
Fax: 303-675-2176 or 800-344-3867 Toll Free USA/Canada
Email: ONlit@hibbertco.com

N. American Technical Support: 800-282-9855 Toll Free USA/Canada

JAPAN: ON Semiconductor, Japan Customer Focus Center
4-32-1 Nishi-Gotanda, Shinagawa-ku, Tokyo, Japan 141-0031
Phone: 81-3-5740-2700
Email: r14525@onsemi.com

ON Semiconductor Website: <http://onsemi.com>

For additional information, please contact your local Sales Representative.